

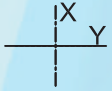




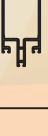






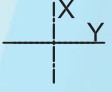


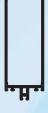






serai[®]

ALUMINIUM PROFILES

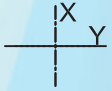









CEPHE SİSTEMLERİ - FCW 50

FACADE SYSTEMS







	SİSTEM KODU SYSTEM CODE	KG/M	Jx cm ⁴	Jy cm ⁴	Wx cm ³	Wy cm ³	ÜRÜNÜN ADI DESCRIPTION
	FCW 50 M01	3,090	403,54	46,29	47,95	18,51	DİKME PROFİLİ MULLION PROFILE
	FCW 50 M02	2,608	263,31	38,14	32,77	15,25	DİKME PROFİLİ MULLION PROFILE
	FCW 50 M03	2,239	172,15	33,13	25,06	13,25	DİKME PROFİLİ MULLION PROFILE
	FCW 50 M04	2,112	111,25	28,52	19,28	11,40	DİKME PROFİLİ MULLION PROFILE
	FCW 50 M05	1,776	60,08	22,40	12,38	8,96	DİKME PROFİLİ MULLION PROFILE
	FCW 50 M06	1,484	20,80	16,11	6,85	6,44	DİKME PROFİLİ MULLION PROFILE
	FCW 50 M07	1,947	146,76	28,66	20,52	11,46	DİKME PROFİLİ MULLION PROFILE
	FCW 50 M08	1,720	94,20	23,84	15,47	9,53	DİKME PROFİLİ MULLION PROFILE
	FCW 50 M09	1,547	56,26	20,10	11,35	8,04	DİKME PROFİLİ MULLION PROFILE

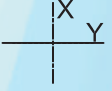







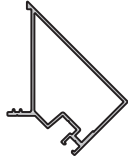

	SİSTEM KODU SYSTEM CODE	KG/M	Jx cm ⁴	Jy cm ⁴	Wx cm ³	Wy cm ³	ÜRÜNÜN ADI DESCRIPTION
	FCW 50 M10	1,287	19,86	14,47	6,23	5,78	DİKME PROFİLİ MULLION PROFILE
	FCW 50 M11	0,745	5,14	1,90	5,59	0,76	DİKME PROFİLİ MULLION PROFILE
	FCW 50 T01	1,758	145,15	27,50	20,59	11,00	KAYIT PROFİLİ TRANSOM PROFILE
	FCW 50 T02	1,585	96,25	23,75	16,04	9,50	KAYIT PROFİLİ TRANSOM PROFILE
	FCW 50 T03	1,412	59,01	20,00	11,96	8,00	KAYIT PROFİLİ TRANSOM PROFILE
	FCW 50 T04	1,151	22,18	14,37	6,71	5,74	KAYIT PROFİLİ TRANSOM PROFILE
	FCW 50 T05	1,471	2,93	4,10	6,45	1,64	KAYIT PROFİLİ TRANSOM PROFILE
	FCW 50 T08	2,097	283,11	35,00	31,02	14,00	KAYIT PROFİLİ TRANSOM PROFILE
	FCW 50 T09	1,932	207,01	31,25	25,58	12,50	KAYIT PROFİLİ TRANSOM PROFILE

	SİSTEM KODU SYSTEM CODE	KG/M	Jx cm ⁴	Jy cm ⁴	Wx cm ³	Wy cm ³	ÜRÜNÜN ADI DESCRIPTION
	FCW 50 F01	0,778	17,58	1,59	6,24	0,47	KASA PROFİLİ FRAME PROFILE
	FCW 50 V01	0,989	16,40	2,92	4,82	1,48	DIŞA AÇILIR KANAT PROFİLİ OUTERWARD OPENING PROFILE
	FCW 50 V03	0,283	---	--	--	--	KASET PROFİLİ REINFORCEMENT PROFILE
	FCW 50 V04	1,120	16,61	2,83	4,03	1,44	DIŞA AÇILIR KANAT PROFİLİ OUTERWARD OPENING PROFILE
	FCW 50 V05	1,146	18,38	2,94	4,14	1,48	DIŞA AÇILIR KANAT PROFİLİ OUTERWARD OPENING PROFILE
	FCW 50 P01	0,434	---	--	--	--	BASKI PROFİLİ PRESSURE PROFILE
	FCW 50 P02	0,290	---	--	--	--	KAPAK PROFİLİ COVER PROFILE
	FCW 50 P03	0,331	---	--	--	--	KAPAK PROFİLİ COVER PROFILE
	FCW 50 P04	0,399	---	--	--	--	KAPAK PROFİLİ COVER PROFILE

	SİSTEM KODU SYSTEM CODE	KG/M	Jx cm ⁴	Jy cm ⁴	Wx cm ³	Wy cm ³	ÜRÜNÜN ADI DESCRIPTION
	FCW 50 P05	0,434	---	---	---	---	KAPAK PROFİLİ COVER PROFILE
	FCW 50 P06	0,406	---	---	---	---	BASKI PROFİLİ PRESSURE PROFILE
	FCW 50 P07	0,262	---	---	---	---	KAPAK PROFİLİ COVER PROFILE
	FCW 50 P08	1,610	---	---	---	---	BADEM KAPAK PROFİLİ COVER PROFILE
	FCW 50 P09	1,125	---	---	---	---	BADEM KAPAK PROFİLİ COVER PROFILE
	FCW 50 P10	0,127	---	---	---	---	CAM KASET BONDİNG PROFİLİ BONDING BEAD
	FCW 50 P11	0,619	---	---	---	---	4 SIDE CEPHE TESPİT PROFİLİ FIXATION PROFILE
	FCW 50 P12	0,653	---	---	---	---	KAPAK PROFİLİ COVER PROFILE
	FCW 50 P13	1,041	---	---	---	---	KAPAK PROFİLİ COVER PROFILE

	SİSTEM KODU SYSTEM CODE	KG/M	Jx cm ⁴	Jy cm ⁴	Wx cm ³	Wy cm ³	ÜRÜNÜN ADI DESCRIPTION
	FCW 50 P14	1,142	---	---	---	---	KAPAK PROFİLİ COVER PROFILE
	FCW 50 P15	1,416	---	---	---	---	KAPAK PROFİLİ COVER PROFILE
	FCW 50 P16	0,846	---	---	---	---	KAPAK PROFİLİ COVER PROFILE
	FCW 50 P17	0,933	---	---	---	---	KAPAK PROFİLİ COVER PROFILE
	FCW 50 P18	1,024	---	---	---	---	KAPAK PROFİLİ COVER PROFILE
	FCW 50 A01	0,121	---	---	---	---	CAM KASET BONDİNG PROFİLİ BONDING BEAD
	FCW 50 E01	0,325	---	---	---	---	4 SIDE CEPHE TESPİT PROFİLİ FIXATION PROFILE
	FCW 50 E02	0,466	---	---	---	---	4 SIDE CEPHE TESPİT PROFİLİ FIXATION PROFILE
	FCW 50 E03	0,412	---	---	---	---	4 SIDE CEPHE TESPİT PROFİLİ FIXATION PROFILE

	SİSTEM KODU SYSTEM CODE	KG/M	Jx cm ⁴	Jy cm ⁴	Wx cm ³	Wy cm ³	ÜRÜNÜN ADI DESCRIPTION
	FCW 50 E04	0,432	---	---	---	---	4 SIDE CEPHE TESPİT PROFİLİ FIXATION PROFILE
	FCW 50 E05	0,466	---	---	---	---	4 SIDE CEPHE TESPİT PROFİLİ FIXATION PROFILE
	FCW 50 E06	0,507	---	---	---	---	4 SIDE CEPHE TESPİT PROFİLİ FIXATION PROFILE
	FCW 50 E07	0,142	---	---	---	---	4 SIDE CEPHE TESPİT PROFİLİ FIXATION PROFILE
	FCW 50 E10	0,687	---	---	---	---	4 SIDE CEPHE TESPİT PROFİLİ FIXATION PROFILE
	FCW 50 E11	0,484	---	---	---	---	4 SIDE CEPHE TESPİT PROFİLİ FIXATION PROFILE
	FCW 50 G01	0,094	---	---	---	---	CAM ÇITASI GLAZING BEAD
	FCW 50 G02	0,106	---	---	---	---	CAM ÇITASI GLAZING BEAD
	FCW 50 G03	0,140	---	---	---	---	CAM ÇITASI GLAZING BEAD

	SİSTEM KODU SYSTEM CODE	KG/M	Jx cm ⁴	Jy cm ⁴	Wx cm ³	Wy cm ³	ÜRÜNÜN ADI DESCRIPTION
	FCW 50 G04	0,212	---	---	---	---	CAM ÇITASI GLAZING BEAD
	FCW 50 G05	0,101	---	---	---	---	CAM ÇITASI GLAZING BEAD
	FCW 50 G06	0,106	---	---	---	---	CAM ÇITASI GLAZING BEAD
	FCW 50 G07	0,119	---	---	---	---	CAM ÇITASI GLAZING BEAD
	FCW 50 G08	0,142	---	---	---	---	CAM ÇITASI GLAZING BEAD
	FCW 50 G09	0,778	---	---	---	---	AÇILI DÖNÜŞ PROFİLİ ANGULAR PROFILE
	FCW 50 G10	0,851	---	---	---	---	AÇILI DÖNÜŞ PROFİLİ ANGULAR PROFILE
	FCW 50 G11	1,057	---	---	---	---	AÇILI DÖNÜŞ PROFİLİ ANGULAR PROFILE
	FCW 50 G12	0,325	---	---	---	---	CAM TAKOZU GLAZING CLEAT

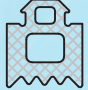



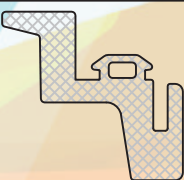
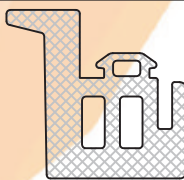
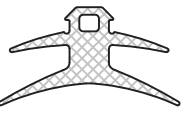
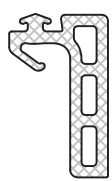
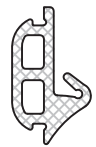







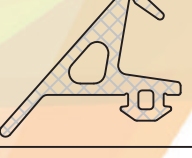
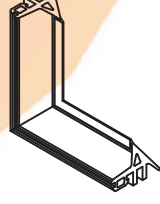
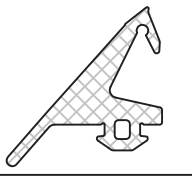
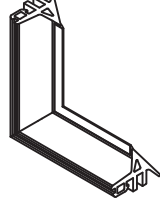
seral[®]




ALUMINIUM & STEEL

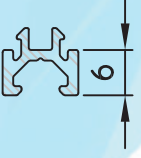
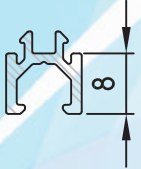
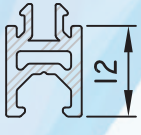
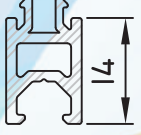
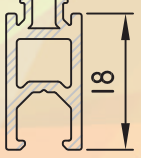
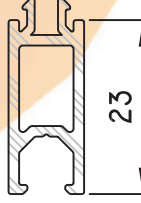
Aksesuarlar / Accessories



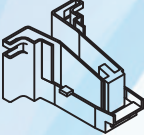


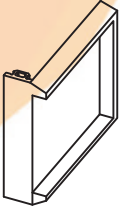
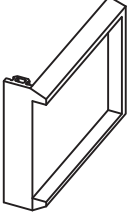
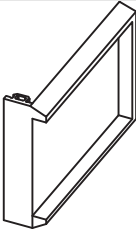
FİTİLLER / GASKETS				
ÜRÜN ÇİZİMİ DRAWING	SİSTEM KODU SYSTEM CODE	ÜRÜNÜN ADI DESCRIPTION	MALZEME MATERIAL	mt/koli mt/box
	RG.03.030	İç Cam Fitili - 3 mm Gasket for Inner Glass	EPDM	
	RG.03.050	İç Cam Fitili - 5 mm Gasket for Inner Glass	EPDM	
	RG.03.070	İç Cam Fitili -7 mm Gasket for Inner Glass	EPDM	
	RG.03.090	İç Cam Fitili -9 mm Gasket for Inner Glass	EPDM	
	RG.03.110	İç Cam Fitili - 11 mm Gasket for Inner Glass	EPDM	
	RG.03.130	İç Cam Fitili - 13 mm Gasket for Inner Glass	EPDM	
	RG.03.011	DIŞ CAM FİTİLİ OUTER GLAZING GASKET	EPDM	
	RG.03.012	TESPİT FİTİLİ - 4 MM GASKET	EPDM	
	RG.03.013	TESPİT FİTİLİ -6 MM GASKET	EPDM	

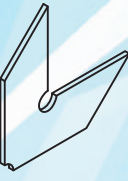
FİTİLLER / GASKETS				
ÜRÜN ÇİZİMİ DRAWING	SİSTEM KODU SYSTEM CODE	ÜRÜNÜN ADI DESCRIPTION	MALZEME MATERIAL	mt/koli mt/box
	RG.03.014	TESPİT FİTİLİ - 8 MM GASKET	EPDM	
	RG.03.015	DIŞ BİNİ FİTİLİ GASKET FOR OUTER RABBET	EPDM	
	RG.03.017	SİLİKON CEPHE KASET FİTİLİ GASKET	EPDM	
	RG.03.020	FOUR SIDE FİTİLİ GASKET	EPDM	
	RG.03.021	GİZLİ KANAT FİTİLİ GASKET	EPDM	
	RG.03.018	GİZLİ KANAT FİTİLİ GASKET	EPDM	
	RG.03.023	SİLİKON FİTİL SILICONE GASKET	SİLİKON	
	RG.03.024	GİZLİ KANAT KASA FİTİLİ GASKET	EPDM	
	RG.03.025	GİZLİ KANAT BİNİ FİTİLİ GASKET	EPDM	



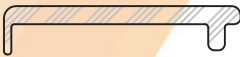
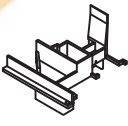
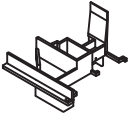
FİTİLLER / GASKETS				
ÜRÜN ÇİZİMİ DRAWING	SİSTEM KODU SYSTEM CODE	ÜRÜNÜN ADI DESCRIPTION	MALZEME MATERIAL	mt/koli mt/box
	RG.01.001	DIŞ CAM FİTİLİ OUTER GLAZING GASKET	EPDM	
	RG.01.002	İÇ CAM FİTİLİ 3-4mm INNER GLAZING GASKET	EPDM	
	RG.01.003	İÇ CAM FİTİLİ 5-6mm INNER GLAZING GASKET	EPDM	
	RG.01.004	İÇ BİNİ FİTİLİ GASKET FOR INNER RABBET	EPDM	
	RG.01.005	DIŞ BİNİ FİTİLİ GASKET FOR OUTER RABBET	EPDM	
	RG.01.006	ORTA BİNİ FİTİLİ CENTRAL GASKET	EPDM	
	RG.01.007	RG.01.006 İÇİN VULKANİZE FİTİL CORNER GASKET FOR CENTRAL GASKET RG.01.006	EPDM	
	RG.01.008	ORTA BİNİ FİTİLİ CENTRAL GASKET	EPDM	
	RG.01.009	RG.01.008 İÇİN VULKANİZE FİTİL CORNER GASKET FOR CENTRAL GASKET RG.01.008	EPDM	

FİTİLLER / GASKETS				
ÜRÜN ÇİZİMİ DRAWING	SİSTEM KODU SYSTEM CODE	ÜRÜNÜN ADI DESCRIPTION	MALZEME MATERIAL	mt/koli mt/box
	RG.01.101	KAPI ETEK İÇ BİNİ FİTİLİ DOOR BOTTOM INNER GASKET	EPDM	
	RG.01.102	KAPI ETEK DIŞ BİNİ FİTİLİ DOOR BOTTOM OUTER GASKET	EPDM	
	RG.01.010	GİZLİ KANAT FİTİLİ HIDDEN VENT GASKET	EPDM	

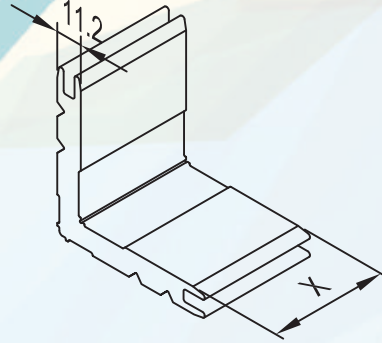
PVC İZOLATÖRLER / PVC PROFILES				
ÜRÜN ÇİZİMİ DRAWING	SİSTEM KODU SYSTEM CODE	ÜRÜNÜN ADI DESCRIPTION	MALZEME MATERIAL	mt/koli mt/box
	PL.03.001	PVC İZOLATOR - 6 mm PVC PROFILE	PVC	
	PL.03.002	PVC İZOLATOR - 8 mm PVC PROFILE	PVC	
	PL.03.003	PVC İZOLATOR - 12 mm PVC PROFILE	PVC	
	PL.03.004	PVC İZOLATOR - 15 mm PVC PROFILE	PVC	
	PL.03.005	PVC İZOLATOR - 18 mm PVC PROFILE	PVC	
	PL.03.006	PVC İZOLATOR - 23 mm PVC PROFILE	PVC	

PVC VE EPDM AKSESUARLAR				
ÜRÜN ÇİZİMİ DRAWING	SİSTEM KODU SYSTEM CODE	ÜRÜNÜN ADI DESCRIPTION	MALZEME MATERIAL	mt/koli mt/box
	PL.03.011	DİLETASYON KAPAĞI	PVC	
	PL.03.012	DİLETASYON KAPAĞI ÇELİK GÖRÜNÜMLÜ CEPHE İÇİN	PVC	
	PL.03.013	DÜŞEY TAHLİYE PARÇASI	PVC	
	PL.03.014	DÜŞEY TAHLİYE EK PARÇASI	PVC	
	PL.03.015	YATAY KAYIT GENLEŞME CONTASI 56 LİK	PVC	
	PL.03.016	YATAY KAYIT GENLEŞME CONTASI 86 LİK	PVC	
	PL.03.017	YATAY KAYIT GENLEŞME CONTASI 106 LİK	PVC	
	PL.03.018	YATAY KAYIT GENLEŞME CONTASI 126 LİK	PVC	

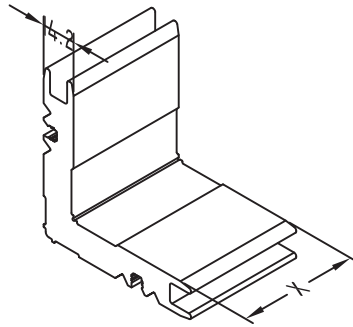
KÖŞE ONBAŞI / CORNER SUPPORT			
ÜRÜN ÇİZİMİ DRAWING	SİSTEM KODU SYSTEM CODE	ÜRÜNÜN ADI DESCRIPTION	MALZEME MATERIAL
	CS01	KÖŞE ONBAŞI CORNER SUPPORT	ÇELİK/STEEL

TAPALAR / PLUGS				
ÜRÜN ÇİZİMİ DRAWING	SİSTEM KODU SYSTEM CODE	ÜRÜNÜN ADI DESCRIPTION	MALZEME MATERIAL	mt/koli mt/box
	B.01.001	KAPI ALTI FIRÇASI WHEATHER STRIP BRUSH FOR DOOR	POLİPROPİLENE	
	PL.01.017	SU TAHLİYE TAPASI PLUG FOR WATER DRAINAGE	PVC	
 ÖLÇEKSİZ	PL.01.001	CAM ALTI DESTEK PARÇASI GLAZING SUPPORT KANAT İÇİN / FOR FRAME	PVC	
	PL.01.005	ÇİFT KANAT ADAPTÖR TAPASI ADAPTER PLUG FOR DOUBLE VENT (FWI 60 A 01)/FOR (FWI 60 A 01)	PVC	
	PL.01.006	ÇİFT KANAT ADAPTÖR TAPASI ADAPTER PLUG FOR DOUBLE VENT (FWI 60 A 02)/FOR (FWI 60 A 02)	PVC	

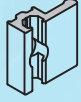
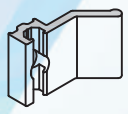
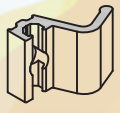
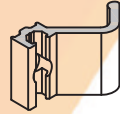
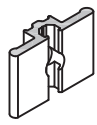
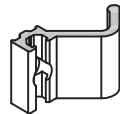
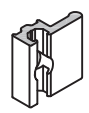
KÖŞE TAKOZLARI / CORNER CLEATS

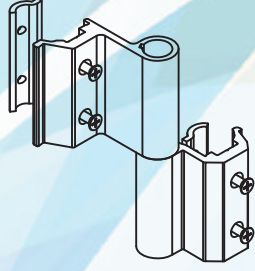
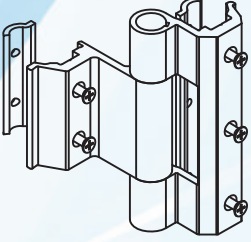


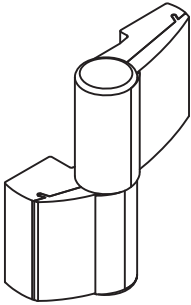
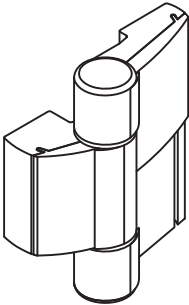
X KESİM ÖLÇÜSÜ CUTTING SIZE	5,4 112CC054	17,2 112CC172	29 112CC290
KULLANILDIĞI PROFİLLER	FCW 50 V 04 FCW 50 V 05	FCW 50 V 01	FCW 50 F 01 FCW 50 V 01

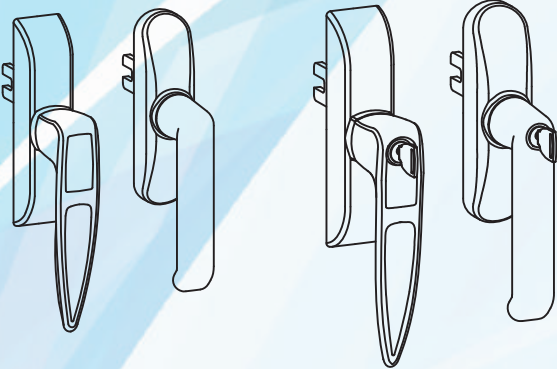
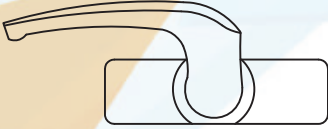


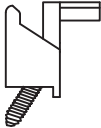

X KESİM ÖLÇÜSÜ CUTTING SIZE	29,2 142CC292	9,9 142CC099
KULLANILDIĞI PROFİLLER	FCW 50 V 01 FCW 50 V 04 FCW 50 V 05	FW 50 V 03


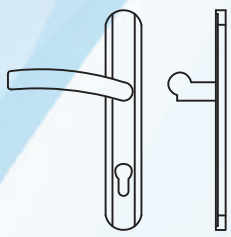
TESPİT PROFİLİ/FIXATION PROFILE				
ÜRÜN ÇİZİMİ DRAWING	SİSTEM KODU SYSTEM CODE	ÜRÜNÜN ADI DESCRIPTION	MALZEME MATERIAL	mt/koli mt/box
	FP.01	TESPİT PROFİLİ FIXATION PROFILE	ALUMINIUM	
	FP.02	TESPİT PROFİLİ FIXATION PROFILE	ALUMINIUM	
	FP.03	TESPİT PROFİLİ FIXATION PROFILE	ALUMINIUM	
	FP.04	TESPİT PROFİLİ FIXATION PROFILE	ALUMINIUM	
	FP.05	TESPİT PROFİLİ FIXATION PROFILE	ALUMINIUM	
	FP.06	TESPİT PROFİLİ FIXATION PROFILE	ALUMINIUM	
	FP.07	TESPİT PROFİLİ FIXATION PROFILE	ALUMINIUM	
	FP.08	TESPİT PROFİLİ FIXATION PROFILE	ALUMINIUM	
	FP.09	TESPİT PROFİLİ FIXATION PROFILE	ALUMINIUM	

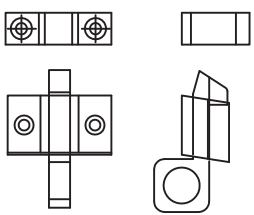

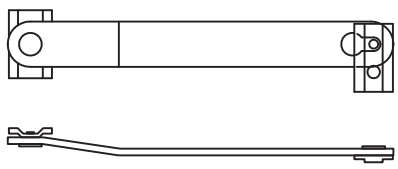
MENTEŞELER / HINGES		
ÜRÜN ÇİZİMİ DRAWING	SİSTEM KODU SYSTEM CODE	ÜRÜNÜN ADI DESCRIPTION
	HW.01.01	PENCERE MENTEŞESİ HINGE FOR WINDOWS
	HW.01.02	3LÜ PENCERE MENTEŞESİ 3 ARM HINGE FOR WINDOWS

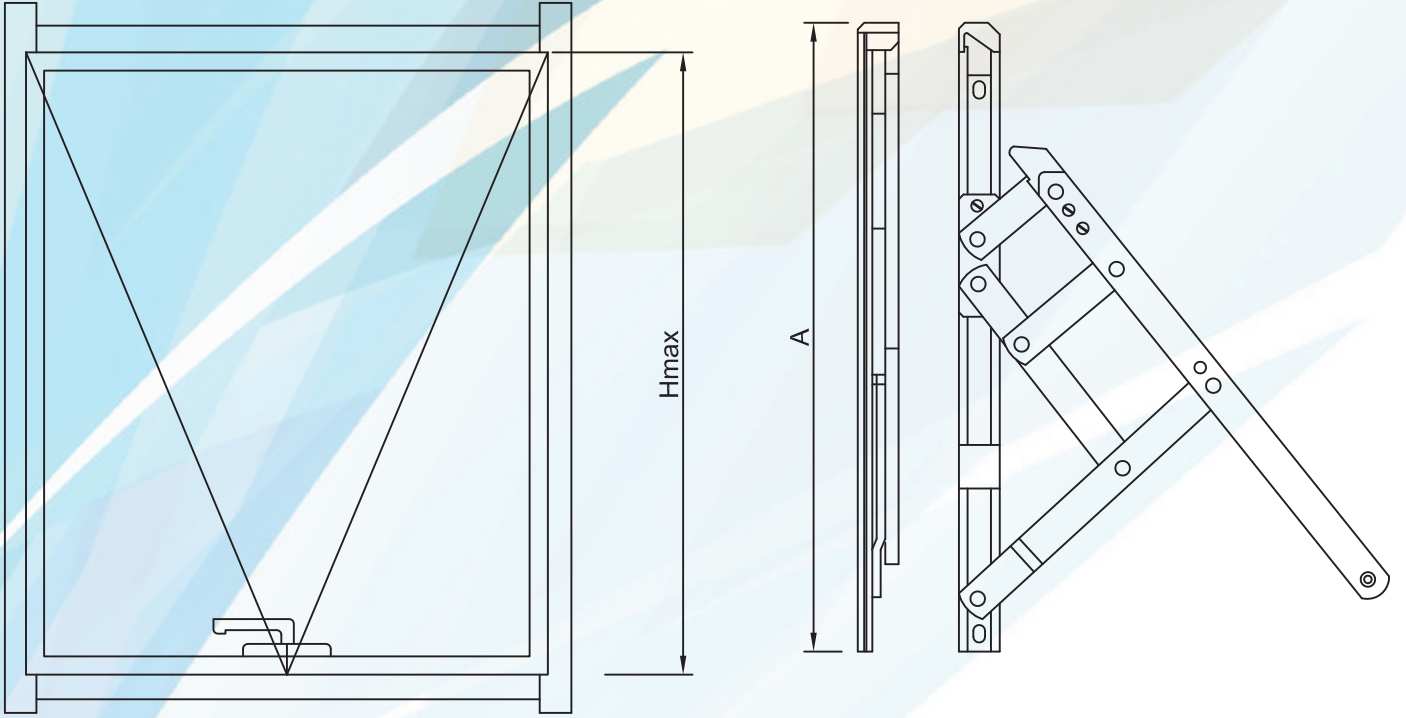
MENTEŞELER / HINGES		
ÜRÜN ÇİZİMİ DRAWING	SİSTEM KODU SYSTEM CODE	ÜRÜNÜN ADI DESCRIPTION
	HD.01.01	BİNİLİ KAPI MENTEŞESİ INWARD OPENING HINGE FOR DOORS
	HD.01.02	HEMYÜZ KAPI MENTEŞESİ OUTWARD OPENING HINGE FOR DOORS
	HD.01.03	BİNİLİ 3LÜ KAPI MENTEŞESİ INWARD OPENING 3 ARM HINGE FOR DOORS
	HD.01.04	HEMYÜZ 3LÜ KAPI MENTEŞESİ OUTWARD OPENING 3 ARM HINGE FOR DOORS

İSPANYOLET KOL / HANDLE FOR WINDOWS		
ÜRÜN ÇİZİMİ DRAWING	SİSTEM KODU SYSTEM CODE	ÜRÜNÜN ADI DESCRIPTIONL
	WH.01.01	İSPANYOLET KOL HANDLE FOR WINDOWS
	WH.01.02	KİLİTLİ İSPANYOLET KOL HANDLE FOR WINDOWS
	WH.01.03	İSPANYOLET KOL (İTHAL) HANDLE FOR WINDOWS
	WH.01.04	KİLİTLİ İSPANYOLET KOL (İTHAL) HANDLE FOR WINDOWS
	WH.02.01	CEPHE GİZLİ KANAT KOLU HANDLE FOR FACADE WINDOWS

AÇILIM AKSESUARLARI / OPENING ACCESSORIES		
ÜRÜN ÇİZİMİ DRAWING	SİSTEM KODU SYSTEM CODE	ÜRÜNÜN ADI DESCRIPTIONL
	WH.01.11	AYARLI KARŞILIK ADJUSTABLE KEEPER
	WH.01.12	TİJ PİMİ PIN

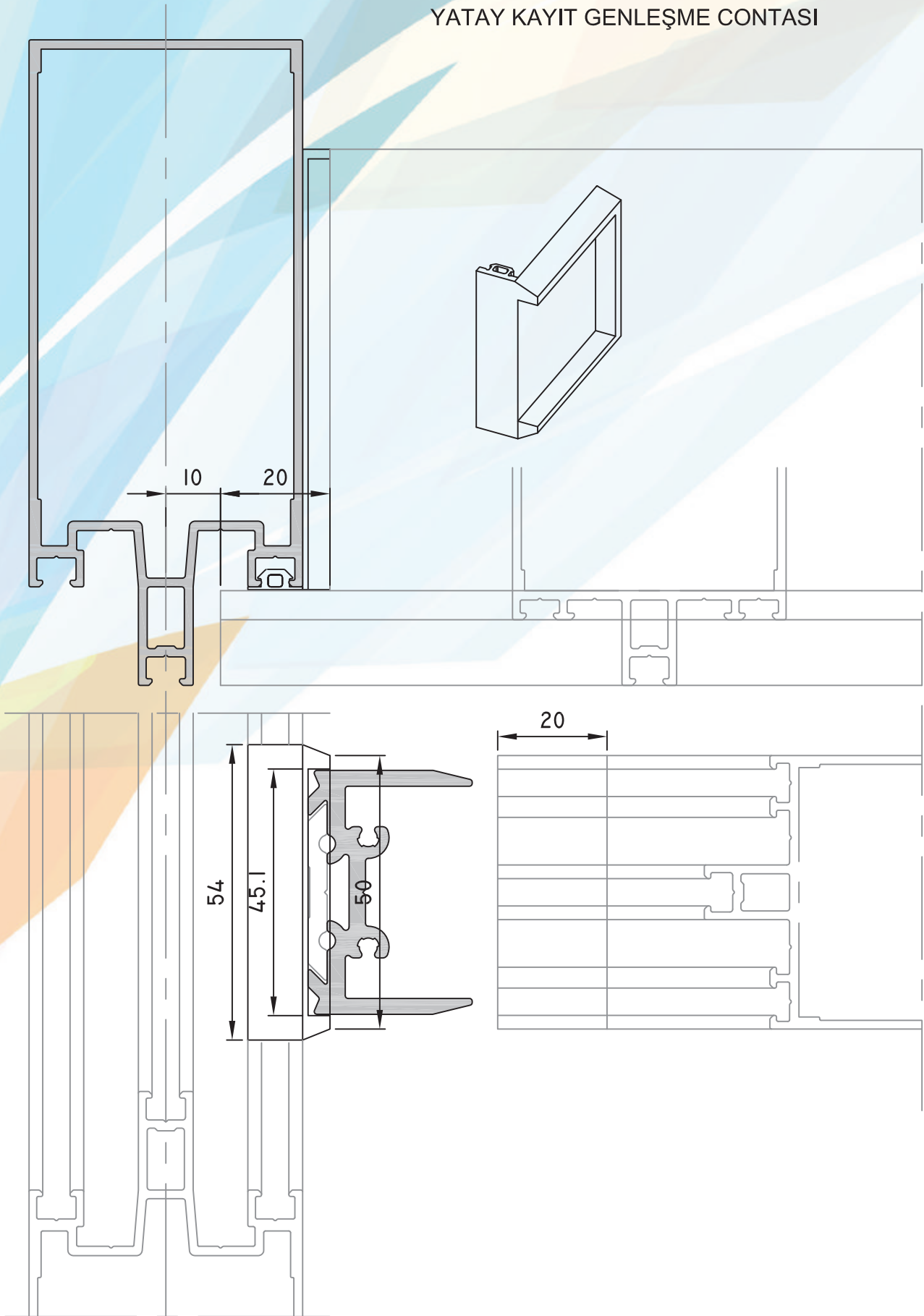
BASMA KAPI KOLLARI / HANDLE FOR DOORS		
ÜRÜN ÇİZİMİ DRAWING	SİSTEM KODU SYSTEM CODE	ÜRÜNÜN ADI DESCRIPTIONL
	WD.01.01	BASMA KAPI KOLU HANDLE FOR DOORS
	WD.01.02	ROZETLİ KAPI KOLU HANDLE FOR DOORS

VASİSTAS AKSESUARLARI / ACCESSORIES FOR WINDOWS		
ÜRÜN ÇİZİMİ DRAWING	SİSTEM KODU SYSTEM CODE	ÜRÜNÜN ADI DESCRIPTIONL
	WH.01.13	VASİSTAS ÇARPMA
	WH.01.14	ÇELİK VASİSTAS MAKASI STEEL FRICTION STAY
	WH.01.15	ALÜMİNYUM VASİSTAS MAKASI ALU. FRICTION STAY



SİSTEM KODU	MAKAS BOYU A	MAKS. KANAT AĞIRLIĞI(kg)	MAKS. KANAT YÜKSEKLİĞİ H (mm)	AÇILMA AÇISI X°
MF.01.001	259 mm (10")	34,5	660	50°
MF.01.002	412 mm (16")	42	762	30°
MF.01.003	567 mm (22")	80	1500	20° - 45°
MF.01.004	690 mm (27")	180	2500	20°
MF.01.005	711 mm (28")	100	2200	15°

YATAY KAYIT GENLEŞME CONTASI

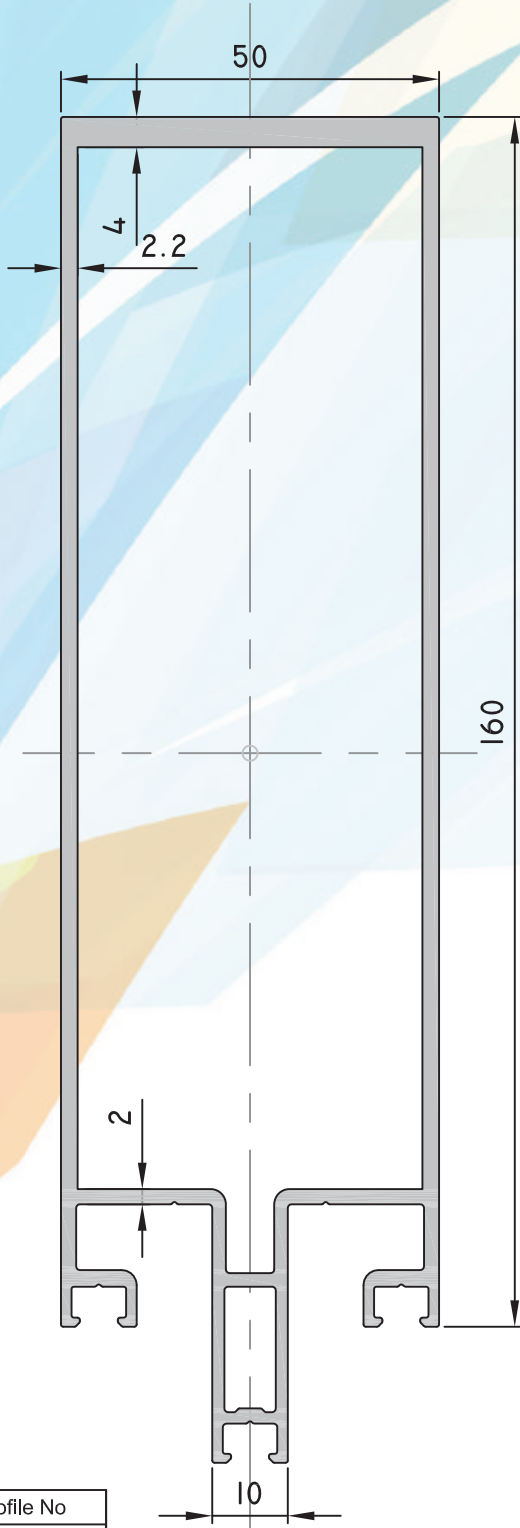




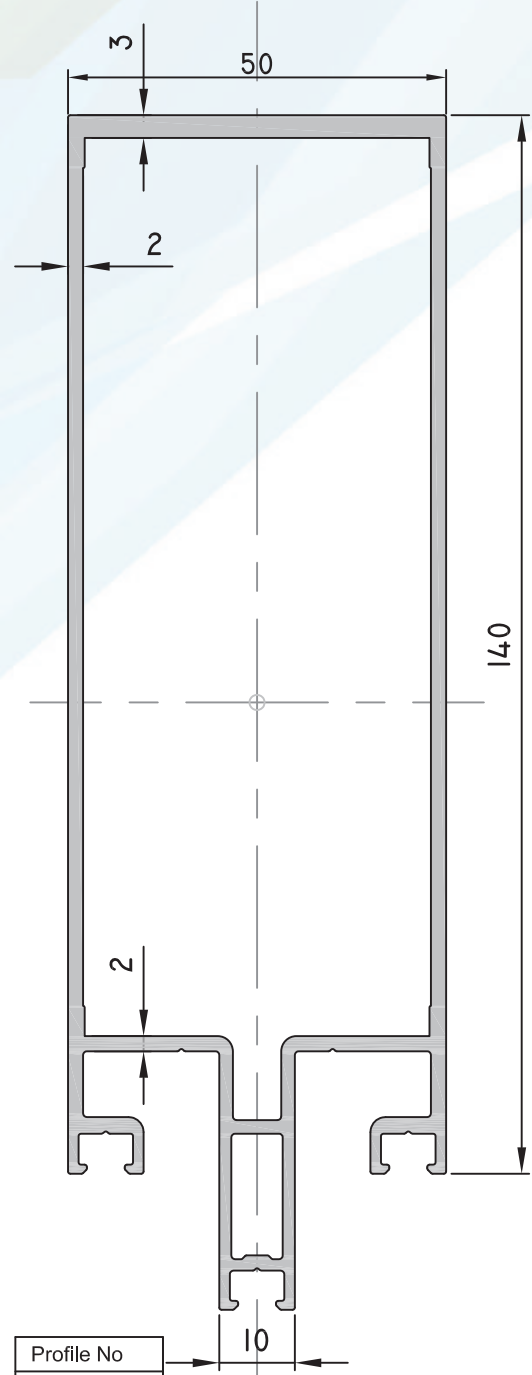
seral[®]

ALUMINIUM & STEEL

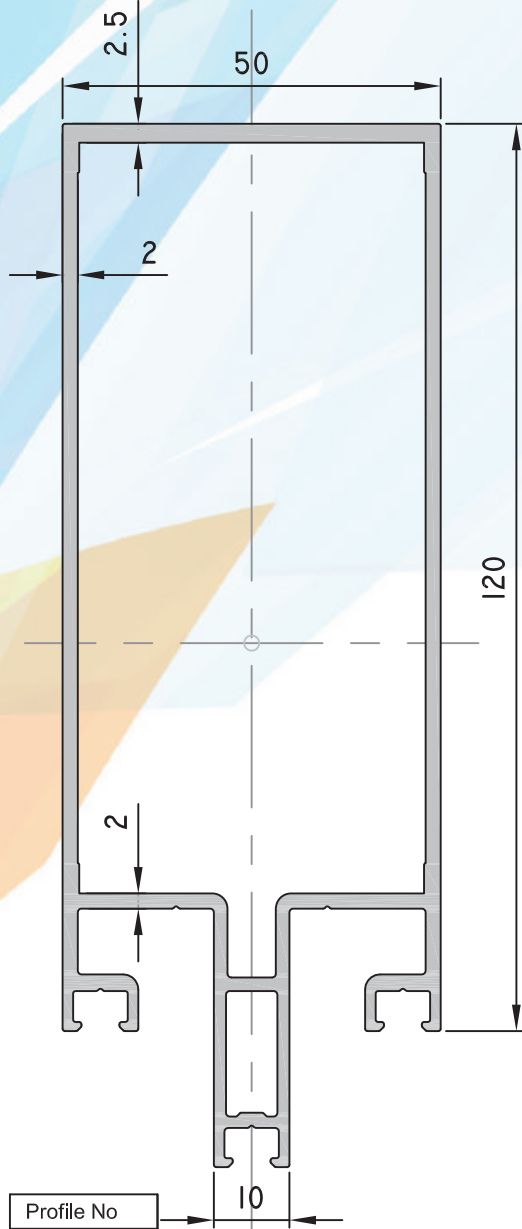
Profiller / Profiles



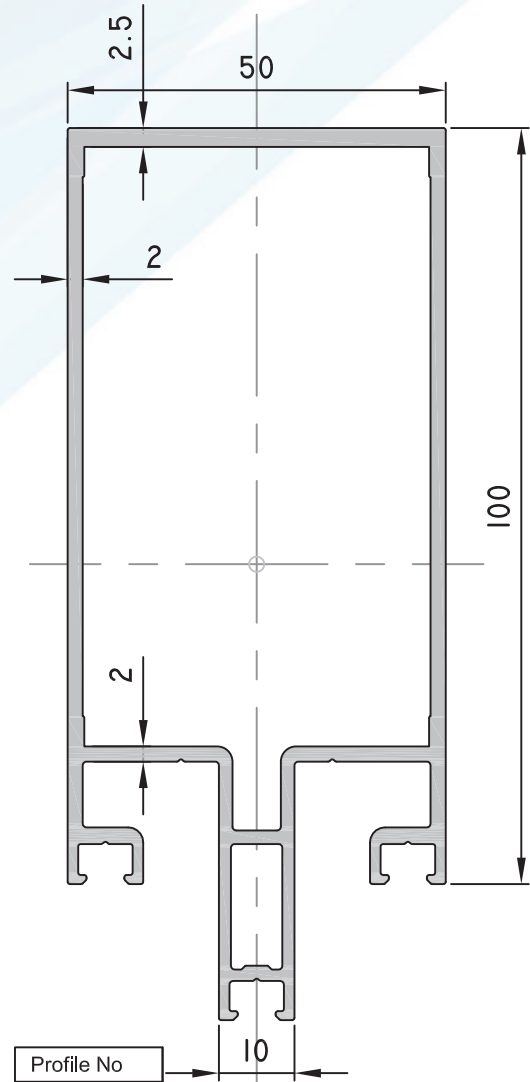
Profile No	
3450	
SYSTEM CODE	FCW 50 M 01
WEIGHT kg/m	3,090 kg/m
MOMENT OF INTERIA	$J_x=403,54 \text{ cm}^4$ $J_y=46,29 \text{ cm}^4$
MOMENT OF RES.	$W_x=47,95 \text{ cm}^3$ $W_y=18,51 \text{ cm}^3$



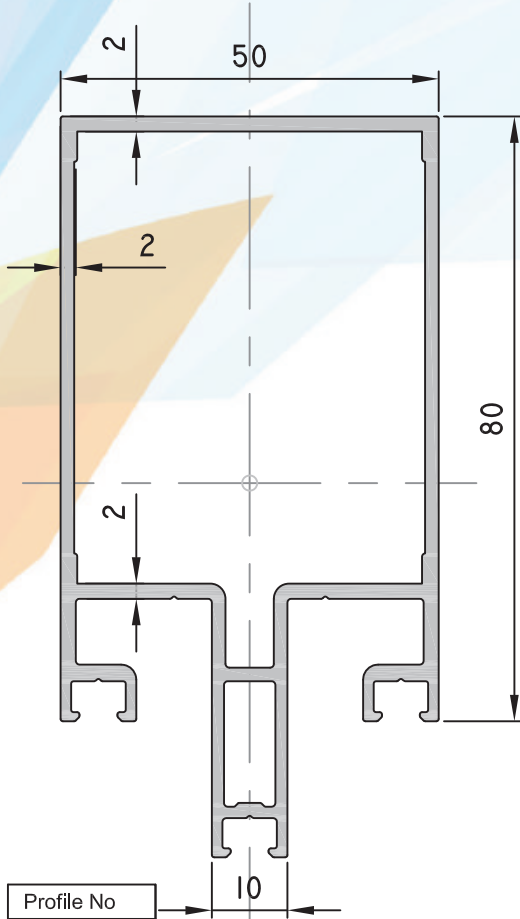
Profile No	
3451	
SYSTEM CODE	FCW 50 M 02
WEIGHT kg/m	2,608 kg/m
MOMENT OF INTERIA	$J_x=263,31 \text{ cm}^4$ $J_y=38,14 \text{ cm}^4$
MOMENT OF RES.	$W_x=32,77 \text{ cm}^3$ $W_y=15,25 \text{ cm}^3$



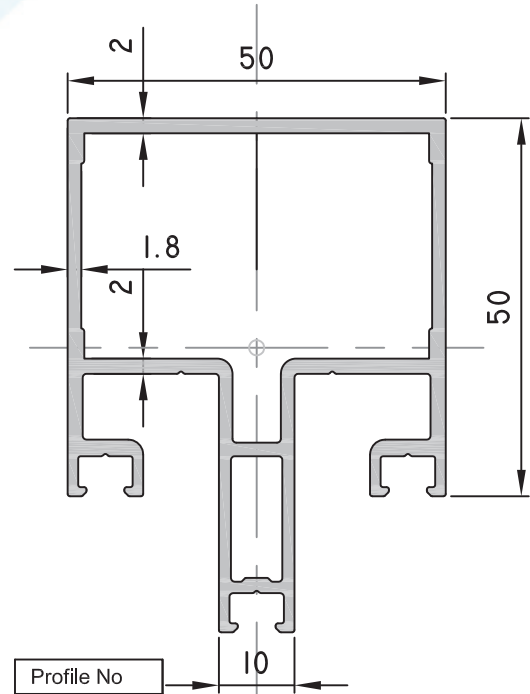
Profile No	3452
SYSTEM CODE	FCW 50 M 03
WEIGHT kg/m	2,239 kg/m
MOMENT OF INTERIA	Jx=172,15 cm ⁴ Jy=33,13 cm ⁴
MOMENT OF RES.	Wx=25,06 cm ³ Wy=13,25 cm ³



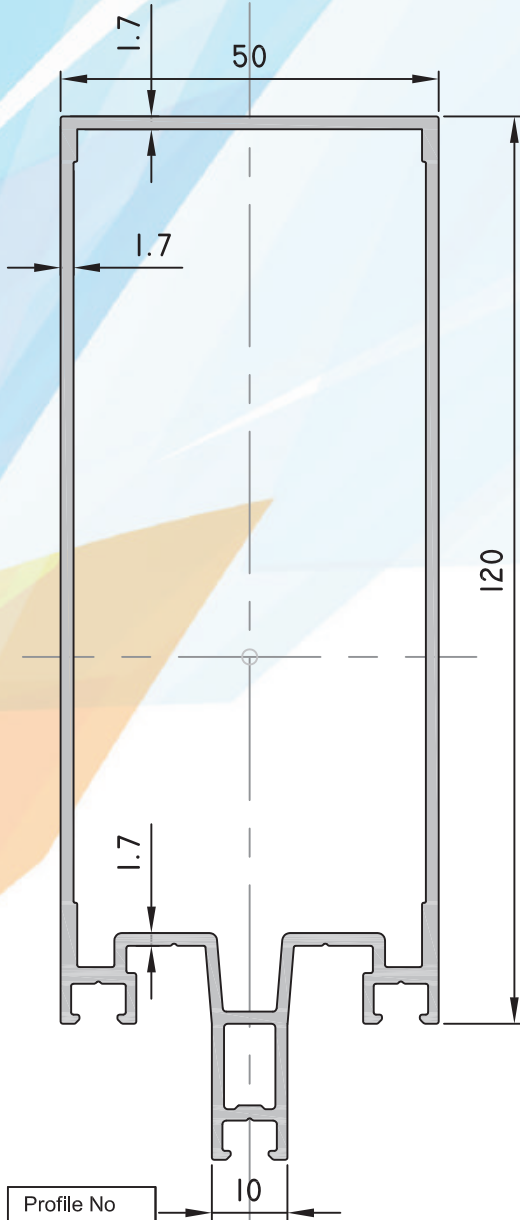
Profile No	3453
SYSTEM CODE	FCW 50 M 04
WEIGHT kg/m	2,112 kg/m
MOMENT OF INTERIA	Jx=111,25 cm ⁴ Jy=28,52 cm ⁴
MOMENT OF RES.	Wx=19,28 cm ³ Wy=11,40 cm ³



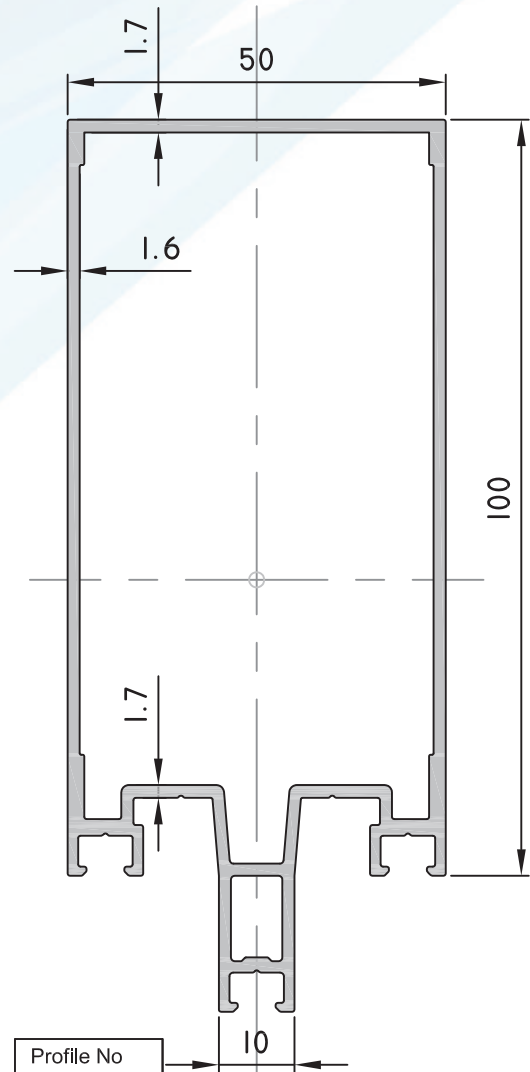
Profile No	3454
SYSTEM CODE	FCW 50 M 05
WEIGHT kg/m	1,776 kg/m
MOMENT OF INTERIA	Jx=60,08 cm ⁴ Jy=22,40 cm ⁴
MOMENT OF RES.	Wx=12,38 cm ³ Wy=8,96 cm ³



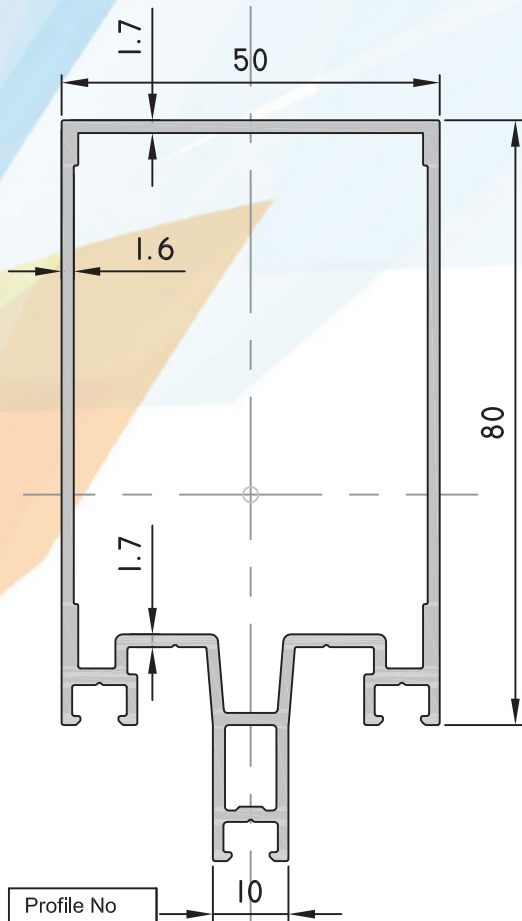
Profile No	3455
SYSTEM CODE	FCW 50 M 06
WEIGHT kg/m	1,484 kg/m
MOMENT OF INTERIA	Jx=20,80 cm ⁴ Jy=16,11 cm ⁴
MOMENT OF RES.	Wx=6,85 cm ³ Wy=6,44 cm ³



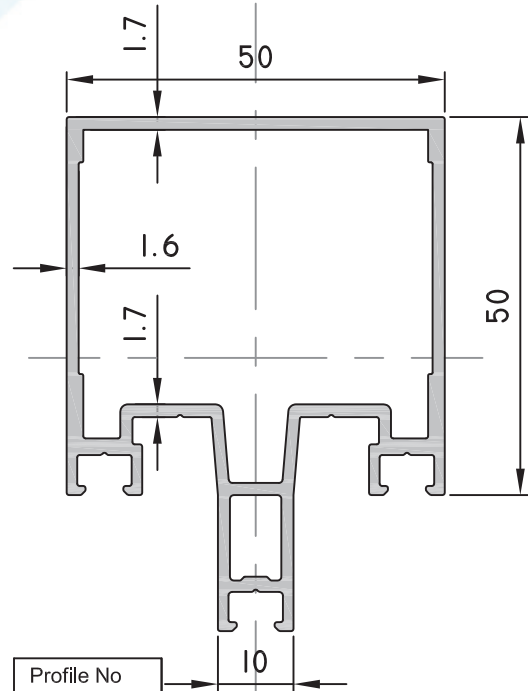
Profile No	3456
SYSTEM CODE	FCW 50 M 07
WEIGHT kg/m	1,947 kg/m
MOMENT OF INTERIA	Jx=146,76 cm ⁴ Jy=28,66 cm ⁴
MOMENT OF RES.	Wx=20,52 cm ³ Wy=11,46 cm ³



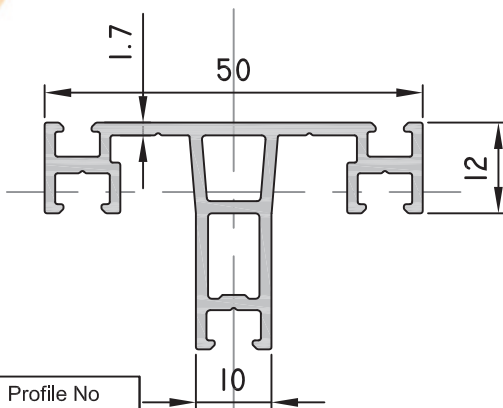
Profile No	3457
SYSTEM CODE	FCW 50 M 08
WEIGHT kg/m	1,720 kg/m
MOMENT OF INTERIA	Jx=94,20 cm ⁴ Jy=23,84 cm ⁴
MOMENT OF RES.	Wx=15,47 cm ³ Wy=9,53 cm ³



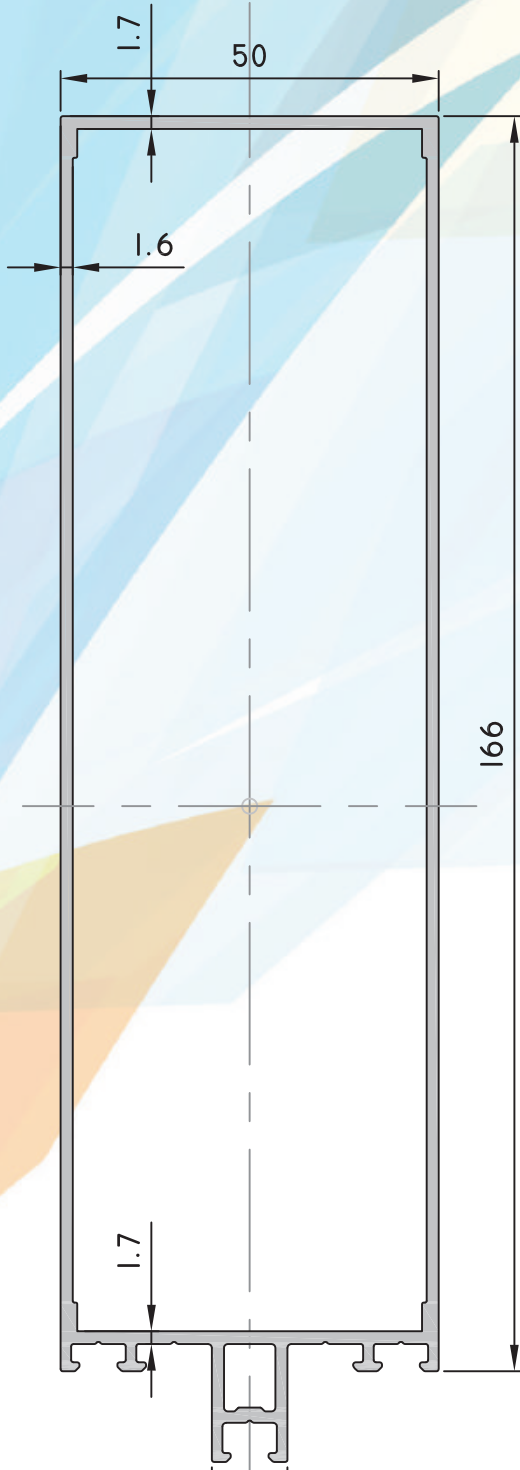
Profile No	3458
SYSTEM CODE	FCW 50 M 09
WEIGHT kg/m	1,547 kg/m
MOMENT OF INTERIA	$J_x=56,26 \text{ cm}^4$ $J_y=20,10 \text{ cm}^4$
MOMENT OF RES.	$W_x=11,35 \text{ cm}^3$ $W_y=8,04 \text{ cm}^3$



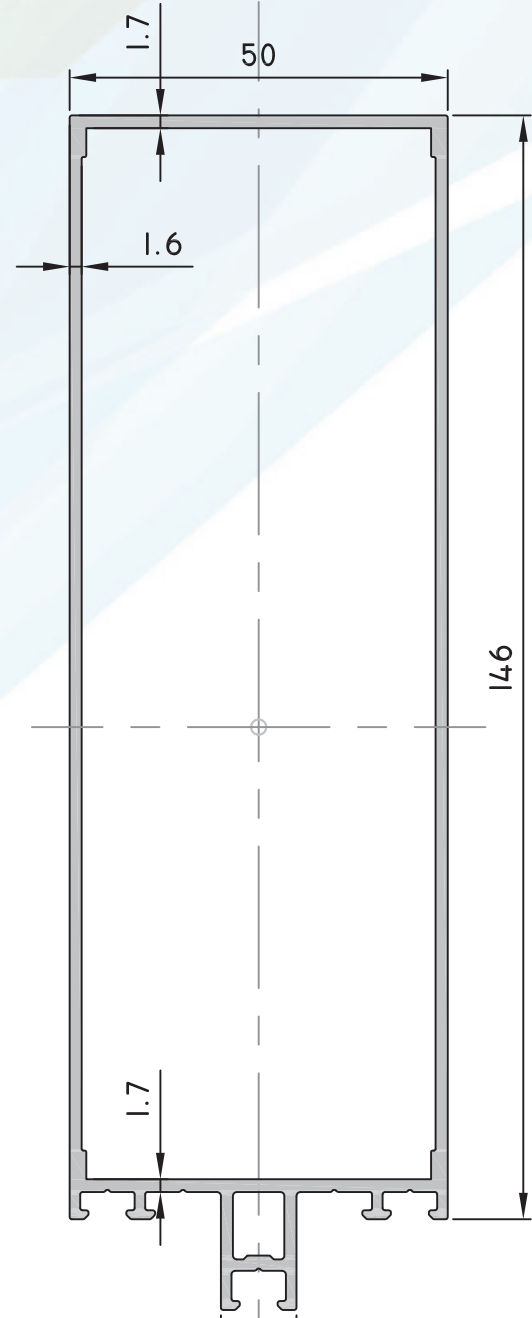
Profile No	3459
SYSTEM CODE	FCW 50 M 10
WEIGHT kg/m	1,287 kg/m
MOMENT OF INTERIA	$J_x=19,86 \text{ cm}^4$ $J_y=14,47 \text{ cm}^4$
MOMENT OF RES.	$W_x=6,23 \text{ cm}^3$ $W_y=5,78 \text{ cm}^3$



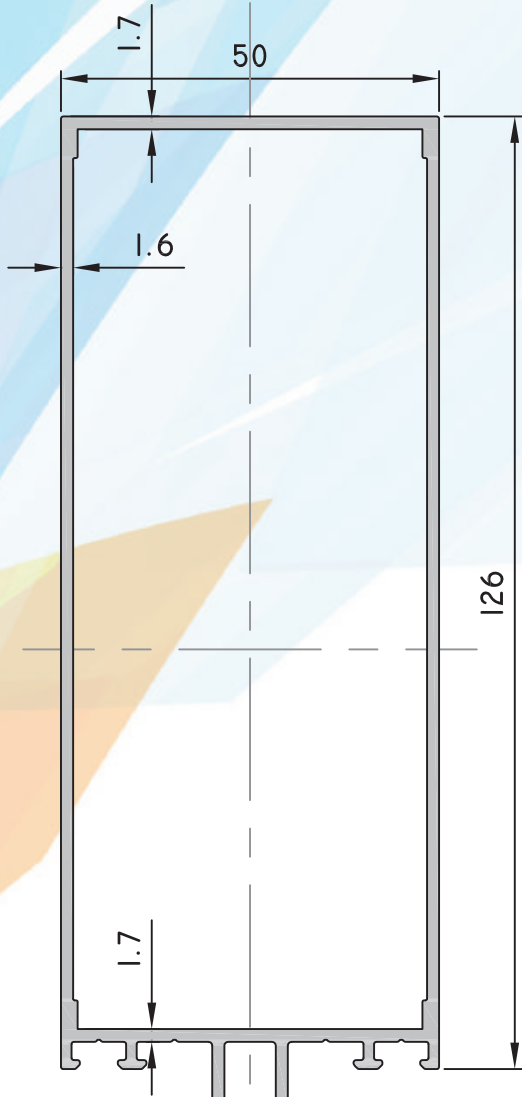
Profile No	
3464	
SYSTEM CODE	FCW 50 M 11
WEIGHT kg/m	0,745 kg/m
MOMENT OF INTERIA	$Jx=5,14 \text{ cm}^4$ $Jy=1,90 \text{ cm}^4$
MOMENT OF RES.	$Wx=5,59 \text{ cm}^3$ $Wy=0,76 \text{ cm}^3$



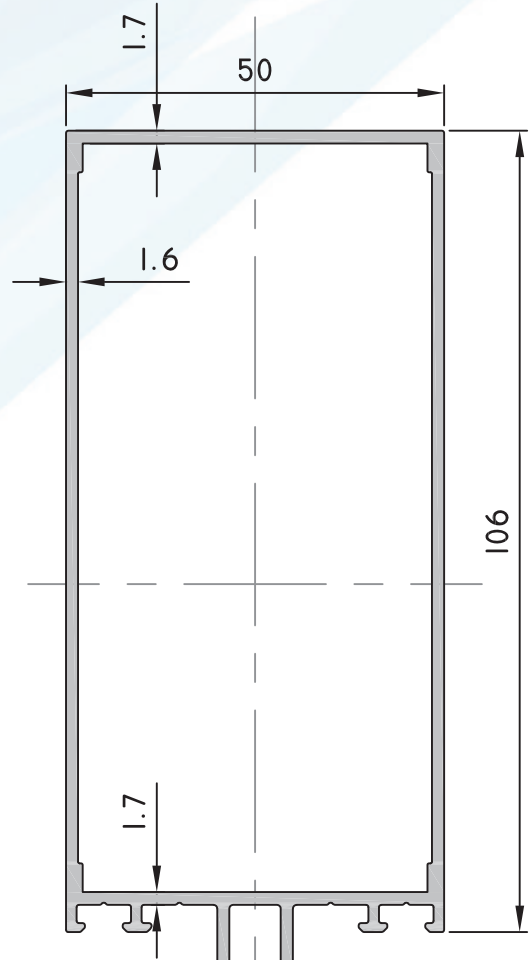
Profile No	3511
SYSTEM CODE	FCW 50 T 08
WEIGHT kg/m	2,097 kg/m
MOMENT OF INTERIA	Jx=283,11 cm ⁴ Jy=35,00 cm ⁴
MOMENT OF RES.	Wx=31,02 cm ³ Wy=14,00 cm ³



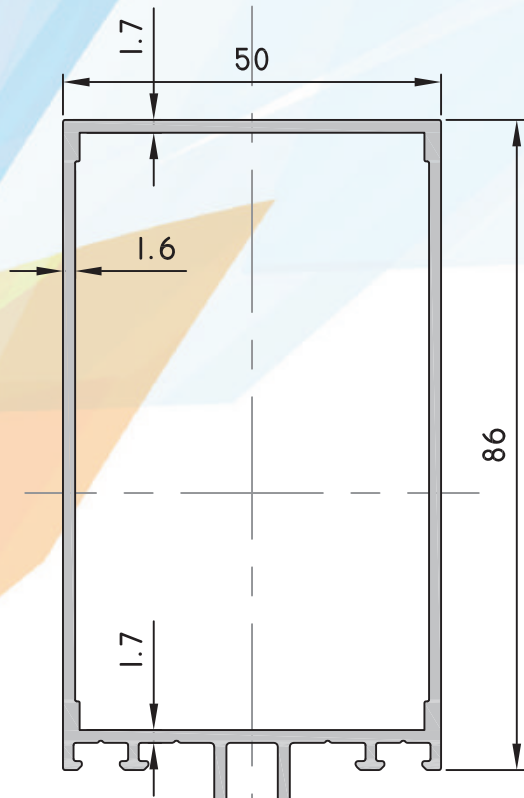
Profile No	3515
SYSTEM CODE	FCW 50 T 09
WEIGHT kg/m	1,932 kg/m
MOMENT OF INTERIA	Jx=207,01 cm ⁴ Jy=31,25 cm ⁴
MOMENT OF RES.	Wx=25,58 cm ³ Wy=12,50 cm ³



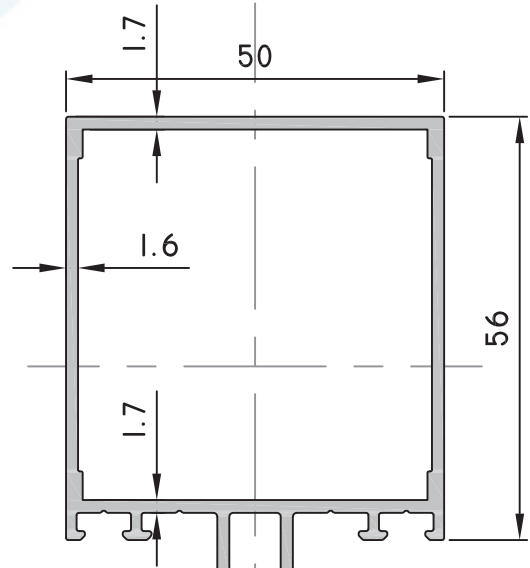
Profile No	3460
SYSTEM CODE	FCW 50 T 01
WEIGHT kg/m	1,758 kg/m
MOMENT OF INTERIA	Jx=145,15 cm ⁴ Jy=27,50 cm ⁴
MOMENT OF RES.	Wx=20,59 cm ³ Wy=11,00 cm ³



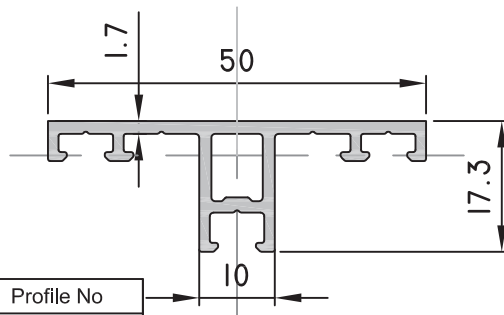
Profile No	3461
SYSTEM CODE	FCW 50 T 02
WEIGHT kg/m	1,585 kg/m
MOMENT OF INTERIA	Jx=96,25 cm ⁴ Jy=23,75 cm ⁴
MOMENT OF RES.	Wx=16,04 cm ³ Wy=9,50 cm ³



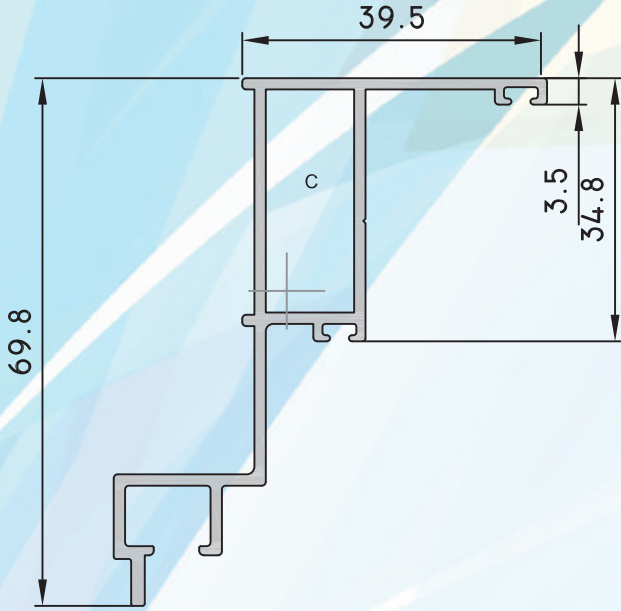
Profile No	3462
SYSTEM CODE	FCW 50 T 03
WEIGHT kg/m	1,412 kg/m
MOMENT OF INTERIA	Jx=59,01 cm ⁴ Jy=20,00 cm ⁴
MOMENT OF RES.	Wx=11,96 cm ³ Wy=8,00 cm ³



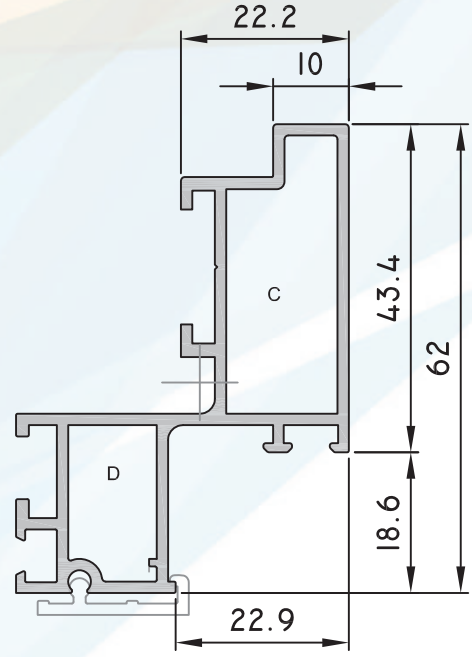
Profile No	3463
SYSTEM CODE	FCW 50 T 04
WEIGHT kg/m	1,151 kg/m
MOMENT OF INTERIA	Jx=22,18 cm ⁴ Jy=14,37 cm ⁴
MOMENT OF RES.	Wx=6,71 cm ³ Wy=5,74 cm ³



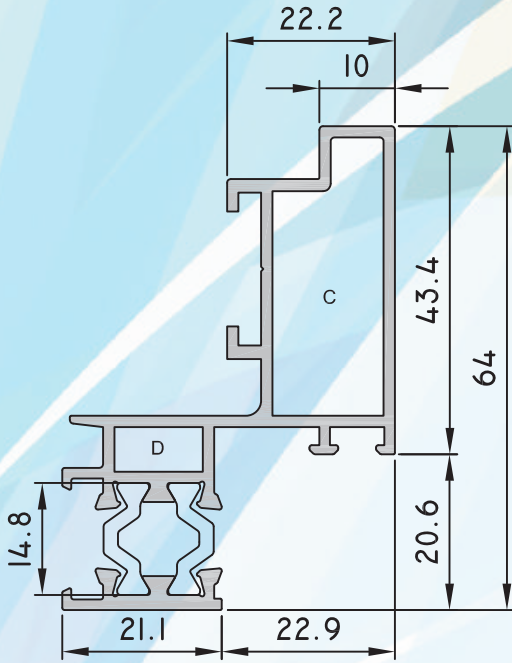
Profile No	3465
SYSTEM CODE	FCW 50 T 05
WEIGHT kg/m	0,471 kg/m
MOMENT OF INTERIA	$J_x=2,93 \text{ cm}^4$ $J_y=4,10 \text{ cm}^4$
MOMENT OF RES.	$W_x=6,45 \text{ cm}^3$ $W_y=1,64 \text{ cm}^3$



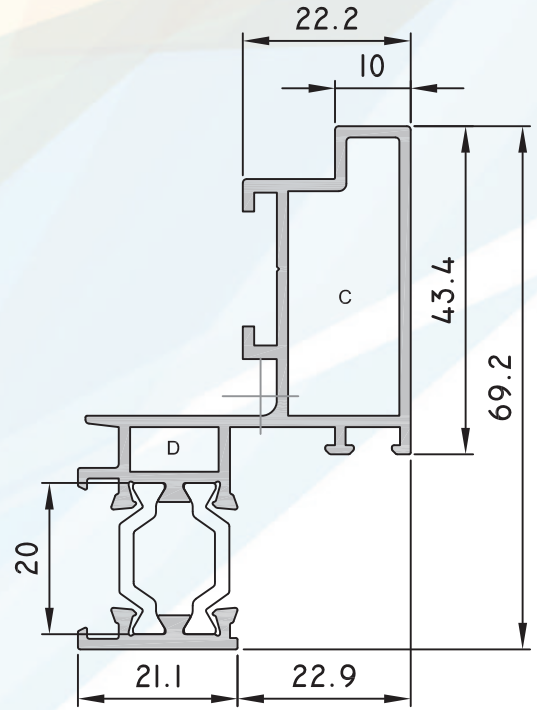
Profile No	
3503	
SYSTEM CODE	FCW 50 F 01
WEIGHT kg/m	0,778 kg/m
MOMENT OF INTERIA	Jx=17,58 cm ⁴ Jy=1,59 cm ⁴
MOMENT OF RES.	Wx=6,24 cm ³ Wy=0,47 cm ³
ACCESSORIES	
C:112CC290	



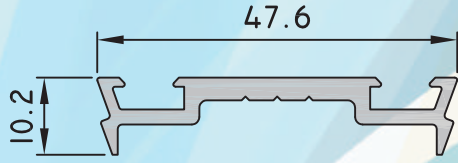
Profile No	
3505	
SYSTEM CODE	FCW 50 V 01
WEIGHT kg/m	0,989 kg/m
MOMENT OF INTERIA	Jx=16,50 cm ⁴ Jy=2,94 cm ⁴
MOMENT OF RES.	Wx=4,82 cm ³ Wy=1,48 cm ³
ACCESSORIES	
C:142CC292	
D:112CC172	



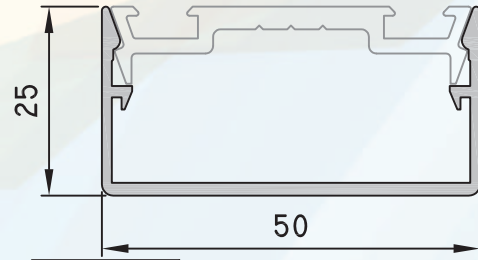
Profile No	
3509/3510	
SYSTEM CODE	FCW 50 V 04
WEIGHT kg/m	1,120 kg/m
MOMENT OF INTERIA	$J_x=16,61 \text{ cm}^4$ $J_y=2,83 \text{ cm}^4$
MOMENT OF RES.	$W_x=4,03 \text{ cm}^3$ $W_y=1,44 \text{ cm}^3$
ACCESSORIES	
C:142CC292	D:112CC054



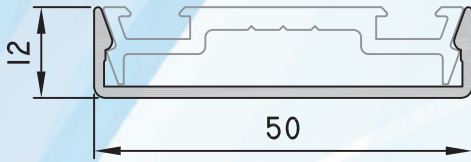
Profile No	
3509/3510	
SYSTEM CODE	FCW 50 V 05
WEIGHT kg/m	1,146 kg/m
MOMENT OF INTERIA	$J_x=18,38 \text{ cm}^4$ $J_y=2,94 \text{ cm}^4$
MOMENT OF RES.	$W_x=5,14 \text{ cm}^3$ $W_y=1,48 \text{ cm}^3$
ACCESSORIES	
C:142CC292	D:112CC054



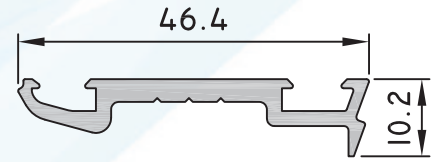
Profile No	
2861	
SYSTEM CODE	FCW 50 P 01
WEIGHT kg/m	0,434 kg/m



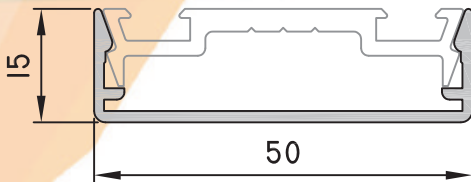
Profile No	
3468	
SYSTEM CODE	FCW 50 P 05
WEIGHT kg/m	0,434 kg/m



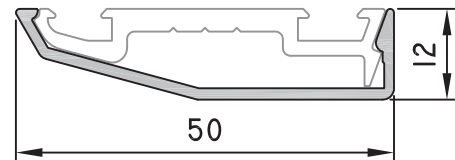
Profile No	
2866	
SYSTEM CODE	FCW 50 P 02
WEIGHT kg/m	0,290 kg/m



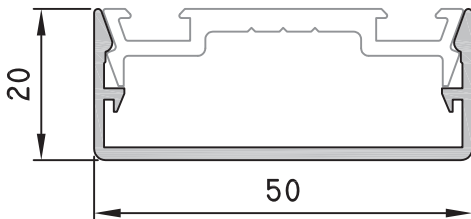
Profile No	
3469	
SYSTEM CODE	FCW 50 P 06
WEIGHT kg/m	0,406 kg/m



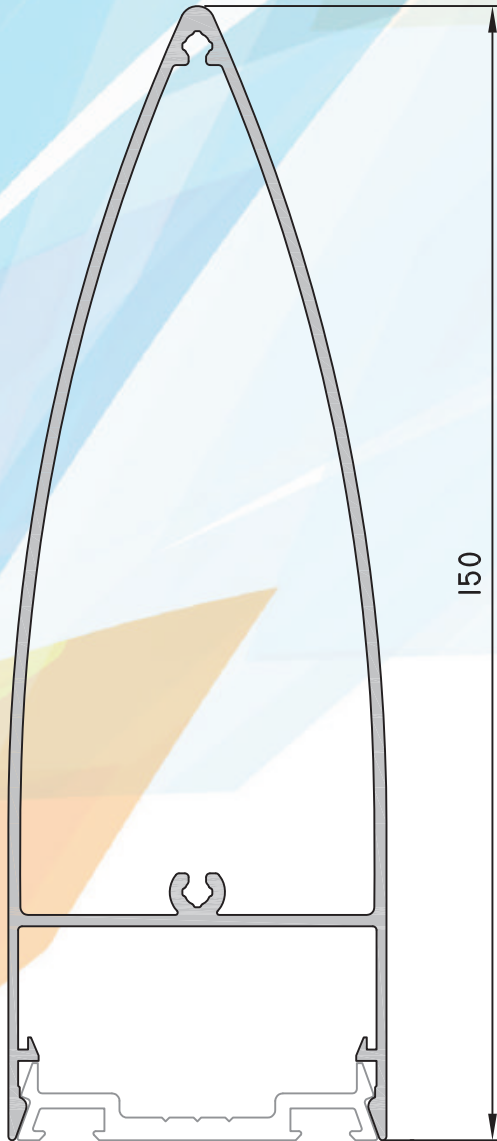
Profile No	
2960	
SYSTEM CODE	FCW 50 P 03
WEIGHT kg/m	0,331 kg/m



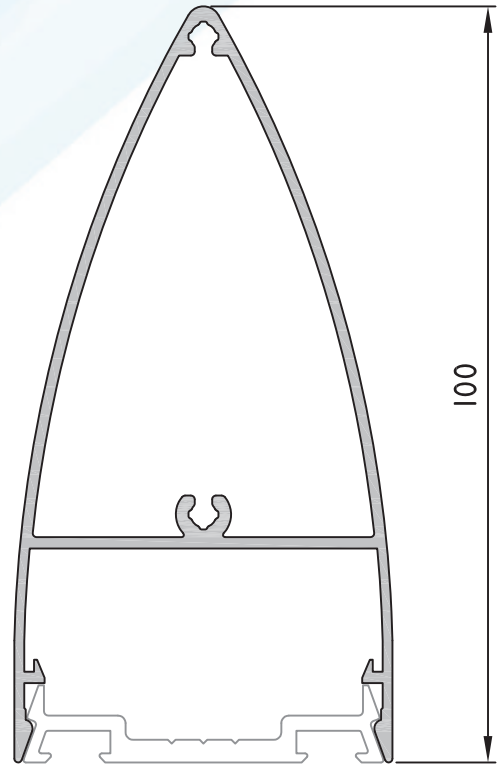
Profile No	
3470	
SYSTEM CODE	FCW 50 P 07
WEIGHT kg/m	0,262 kg/m



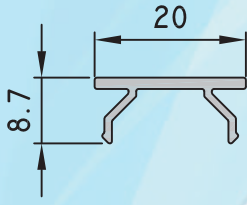
Profile No	
3467	
SYSTEM CODE	FCW 50 P 04
WEIGHT kg/m	0,399 kg/m



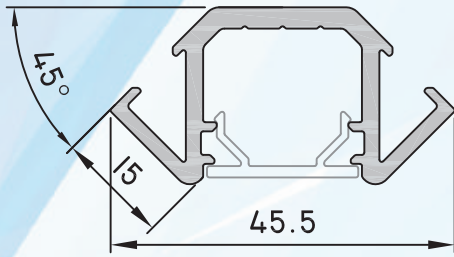
Profile No	
2902	
SYSTEM CODE	FCW 50 P 08
WEIGHT kg/m	1,610 kg/m



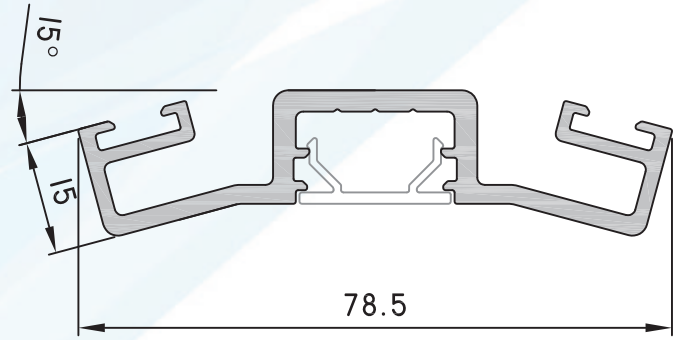
Profile No	
2860	
SYSTEM CODE	FCW 50 P 09
WEIGHT kg/m	1,125 kg/m



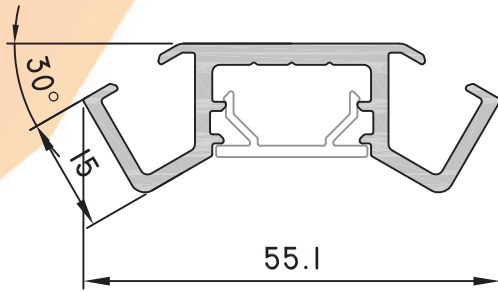
Profile No	
3471	
SYSTEM CODE	FCW 50 P 10
WEIGHT kg/m	0,127 kg/m



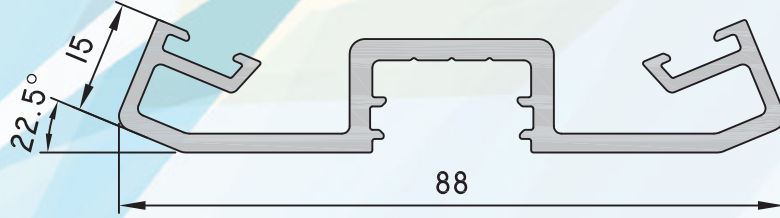
Profile No	
3472	
SYSTEM CODE	FCW 50 P 11
WEIGHT kg/m	0,619 kg/m



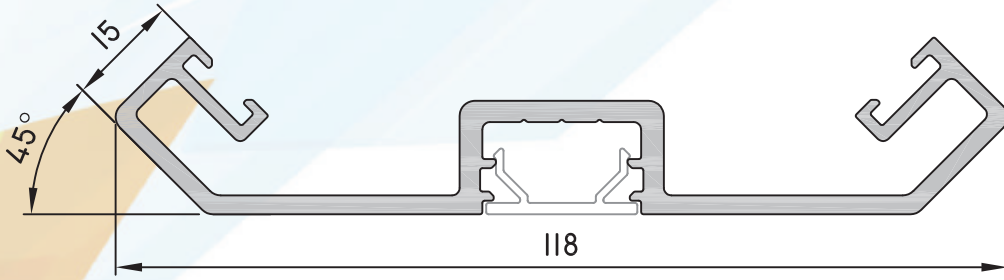
Profile No	
3474	
SYSTEM CODE	FCW 50 P 13
WEIGHT kg/m	1,041 kg/m



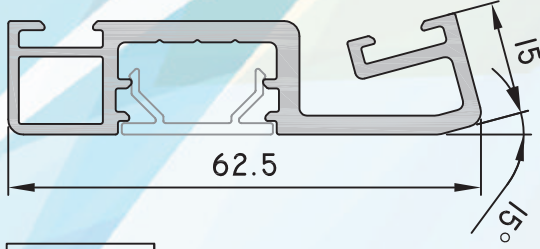
Profile No	
3473	
SYSTEM CODE	FCW 50 P 12
WEIGHT kg/m	0,653 kg/m



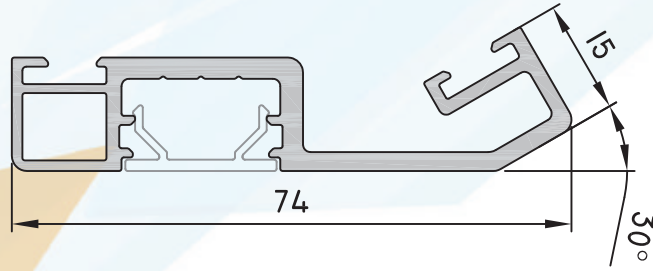
Profile No	3475
SYSTEM CODE	FCW 50 P 14
WEIGHT kg/m	1,142 kg/m



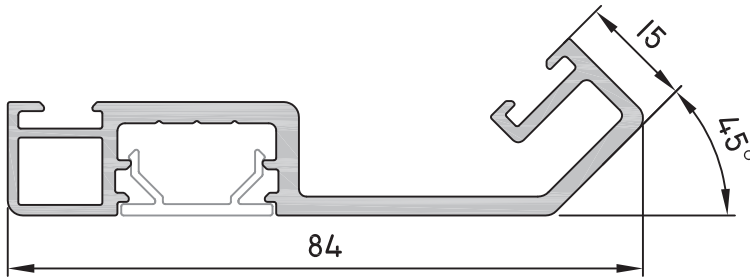
Profile No	3476
SYSTEM CODE	FCW 50 P 15
WEIGHT kg/m	1,416 kg/m



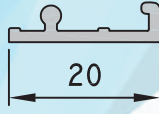
Profile No	
3477	
SYSTEM CODE	FCW 50 P 16
WEIGHT kg/m	0,846 kg/m



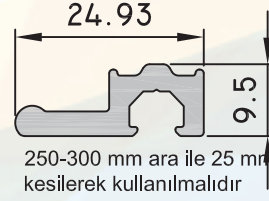
Profile No	
3478	
SYSTEM CODE	FCW 50 P 17
WEIGHT kg/m	0,933 kg/m



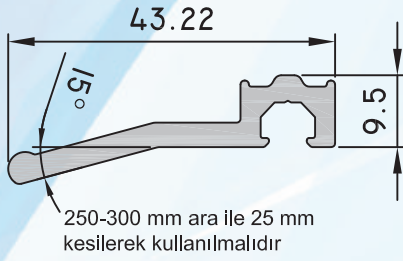
Profile No	
3479	
SYSTEM CODE	FCW 50 P 18
WEIGHT kg/m	1,024 kg/m



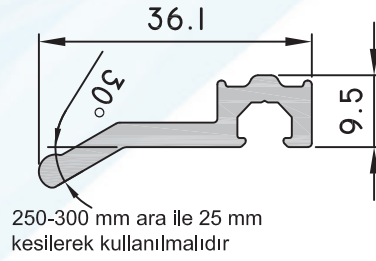
Profile No	
3494	
SYSTEM CODE	FCW 50 A 01
WEIGHT kg/m	0,121 kg/m



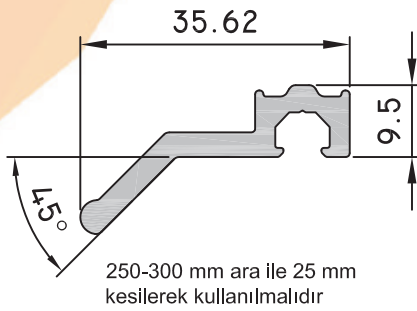
Profile No	
3493	
SYSTEM CODE	FCW 50 E 01
WEIGHT kg/m	0,325 kg/m



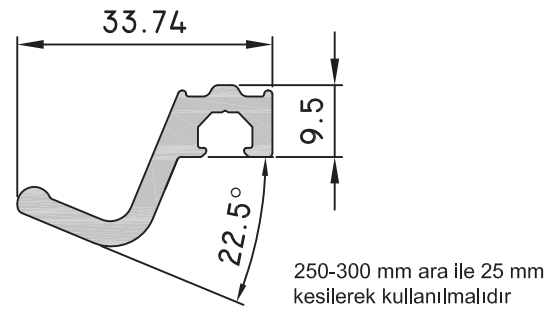
Profile No	
3495	
SYSTEM CODE	FCW 50 E 02
WEIGHT kg/m	0,466 kg/m



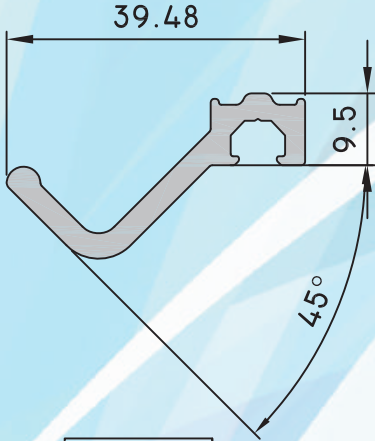
Profile No	
3496	
SYSTEM CODE	FCW 50 E 03
WEIGHT kg/m	0,412 kg/m



Profile No	
3497	
SYSTEM CODE	FCW 50 E 04
WEIGHT kg/m	0,432 kg/m

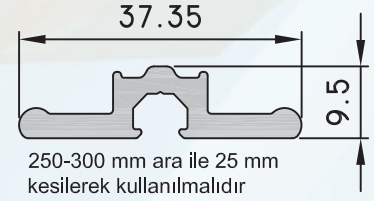


Profile No	
3498	
SYSTEM CODE	FCW 50 E 05
WEIGHT kg/m	0,466 kg/m



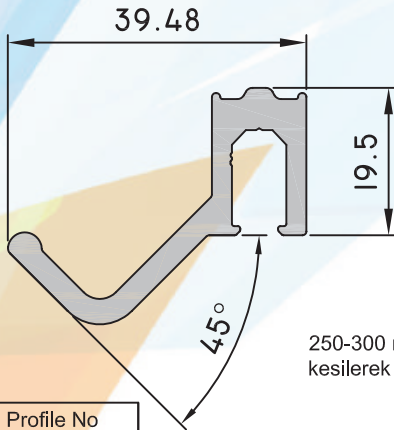
250-300 mm ara ile 25 mm kesilerek kullanılmalıdır

Profile No	
3499	
SYSTEM CODE	FCW 50 E 06
WEIGHT kg/m	0,507 kg/m



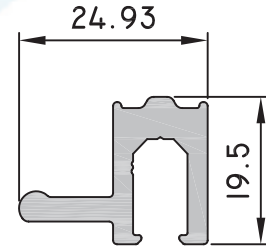
250-300 mm ara ile 25 mm kesilerek kullanılmalıdır

Profile No	
3508	
SYSTEM CODE	FCW 50 E 07
WEIGHT kg/m	0,142 kg/m



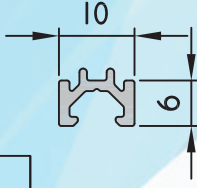
250-300 mm ara ile 25 mm kesilerek kullanılmalıdır

Profile No	
4291	
SYSTEM CODE	FCW 50 E 10
WEIGHT kg/m	0,687 kg/m

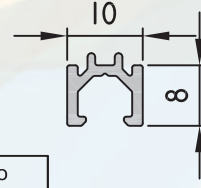


250-300 mm ara ile 25 mm kesilerek kullanılmalıdır

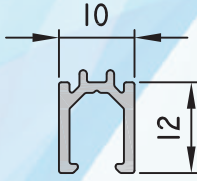
Profile No	
4292	
SYSTEM CODE	FCW 50 E 11
WEIGHT kg/m	0,484 kg/m



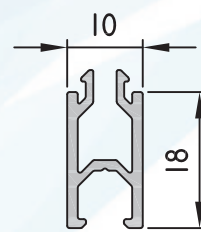
Profile No	
3480	
SYSTEM CODE	FCW 50 G 01
WEIGHT kg/m	0,091 kg/m



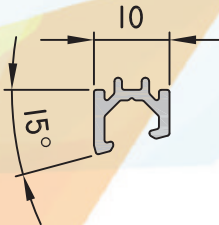
Profile No	
3481	
SYSTEM CODE	FCW 50 G 02
WEIGHT kg/m	0,106 kg/m



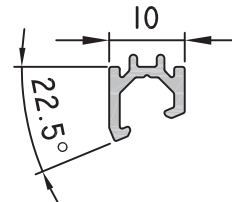
Profile No	
3482	
SYSTEM CODE	FCW 50 G 03
WEIGHT kg/m	0,136 kg/m



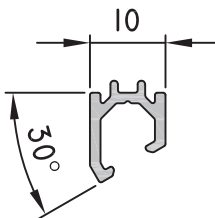
Profile No	
3483	
SYSTEM CODE	FCW 50 G 04
WEIGHT kg/m	0,208 kg/m



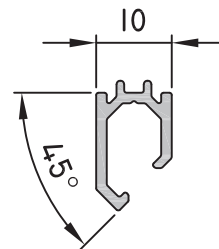
Profile No	
3484	
SYSTEM CODE	FCW 50 G 05
WEIGHT kg/m	0,101 kg/m



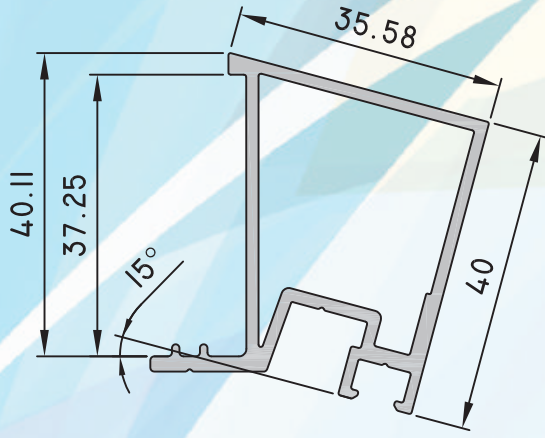
Profile No	
3485	
SYSTEM CODE	FCW 50 G 06
WEIGHT kg/m	0,106 kg/m



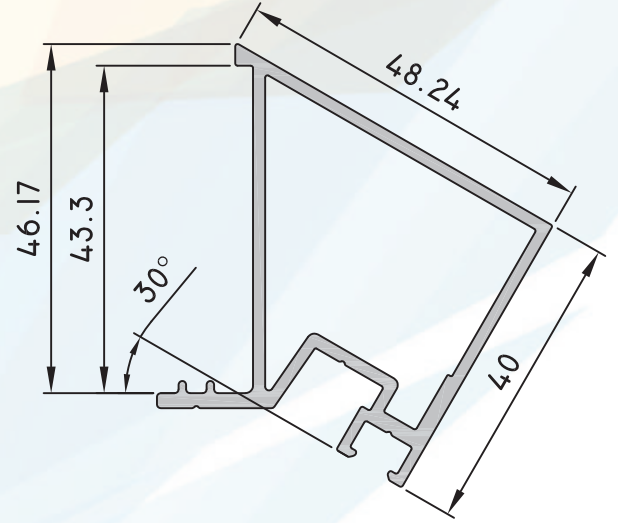
Profile No	
3486	
SYSTEM CODE	FCW 50 G 07
WEIGHT kg/m	0,119 kg/m



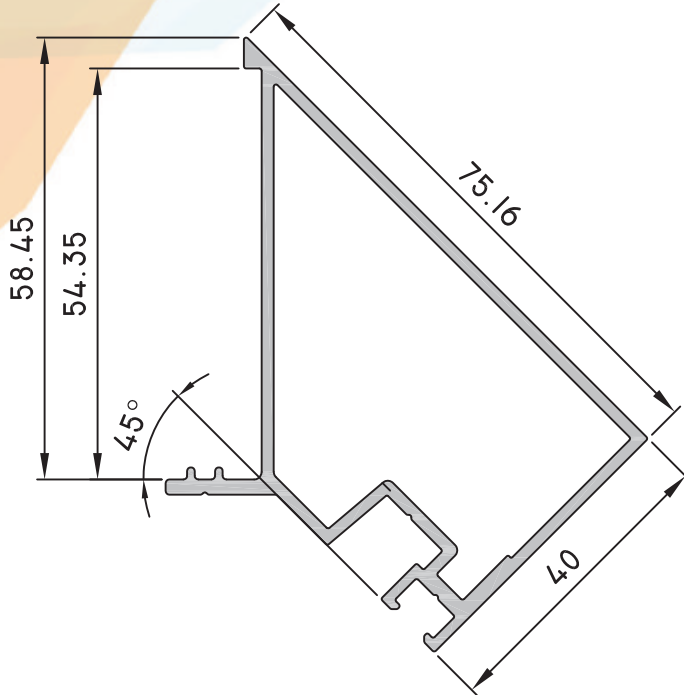
Profile No	
3487	
SYSTEM CODE	FCW 50 G 08
WEIGHT kg/m	0,142 kg/m



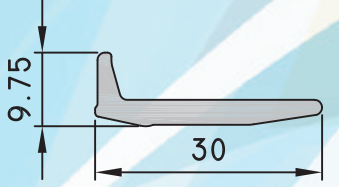
Profile No	
3488	
SYSTEM CODE	FCW 50 G 09
WEIGHT kg/m	0,778 kg/m



Profile No	
3489	
SYSTEM CODE	FCW 50 G 10
WEIGHT kg/m	0,851 kg/m

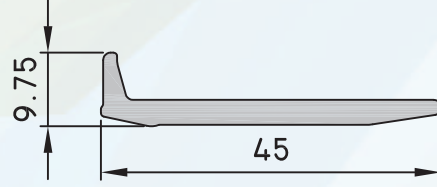


Profile No	
3490	
SYSTEM CODE	FCW 50 G 11
WEIGHT kg/m	1,057 kg/m



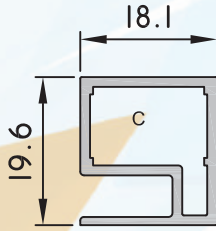
500 mm ara ile 100 mm kesilerek kullanılmalıdır

Profile No	
3491	
SYSTEM CODE	FCW 50 G 12
WEIGHT kg/m	0,324 kg/m

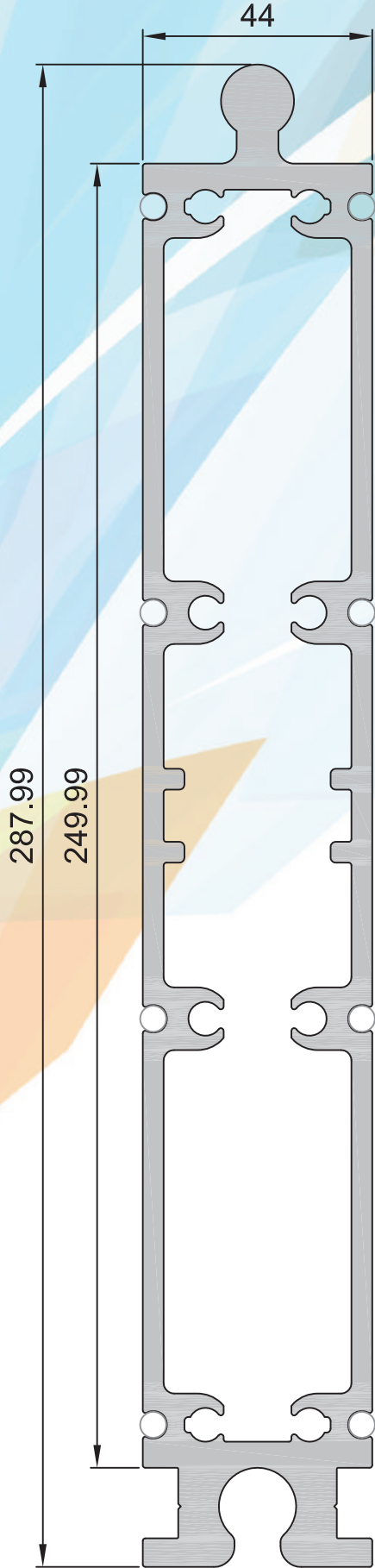


500 mm ara ile 100 mm kesilerek kullanılmalıdır

Profile No	
3492	
SYSTEM CODE	FCW 50 G 13
WEIGHT kg/m	0,414 kg/m



Profile No	
3506	
SYSTEM CODE	FCW 50 V 03
WEIGHT kg/m	0,283 kg/m
ACCESSORIES	
C:142CC099	



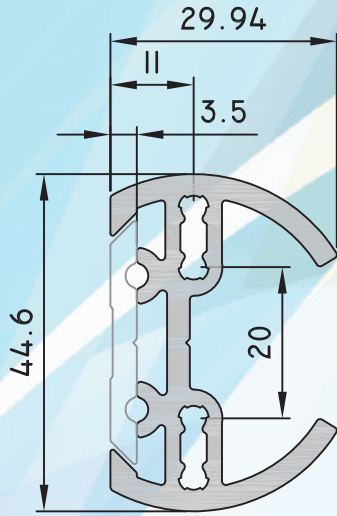
Profile No	
3507	
SYSTEM CODE	FCW 50 D 01
WEIGHT kg/m	9,570 kg/m

FCW50D01 İÇİN KESİM ÖLÇÜLERİ
FCW50D01 FOR CUTTING SIZES

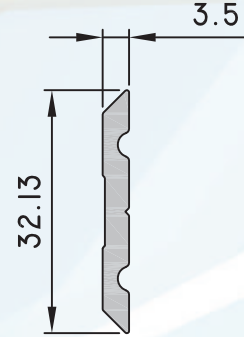
Profil No	Kesim Ölçüsü
FCW50M01	137,3 mm
FCW50M02	118,3 mm
FCW50M03	98,8 mm
FCW50M04	78,8 mm
FCW50M05	59,3 mm
FCW50M06	29,3 mm
FCW50M07	105,8 mm
FCW50M08	85,8 mm
FCW50M09	65,8 mm
FCW50M10	35,8 mm

NOT:
PL.03.011 KODLU DİLETASYON KAPAĞI
KULLANILDIĞINDA FCW50D01 DİLETASYON
PROFİLİ 1 MM KISA KESİLECEKTİR.

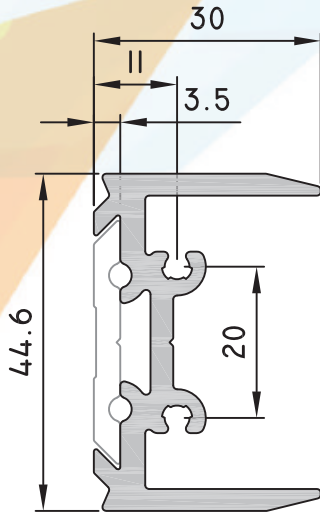
ÖLÇEK:0,8
SCALE:0,8



Profile No	3500
SYSTEM CODE	FCW 50 C 01
WEIGHT kg/m	1,083 kg/m



Profile No	3501
SYSTEM CODE	FCW 50 C 02
WEIGHT kg/m	0,251 kg/m



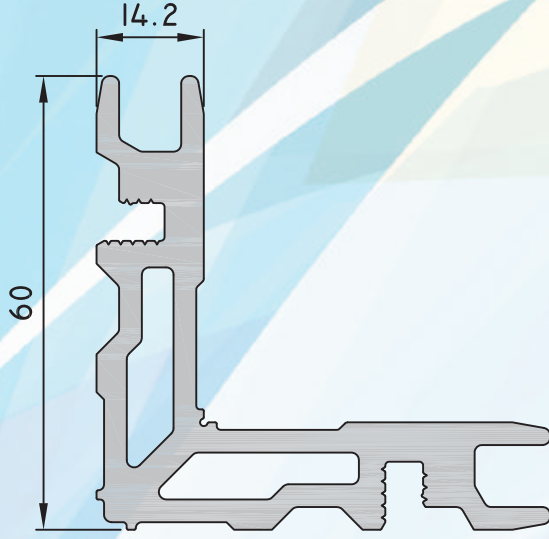
Profile No	3502
SYSTEM CODE	FCW 50 C 03
WEIGHT kg/m	0,966 kg/m

FCW50C01-FCW50C02-FCW50C03 İÇİN
KESİM ÖLÇÜLERİ
FCW50C01-FCW50C02-FW50C03 FOR
CUTTING SIZES

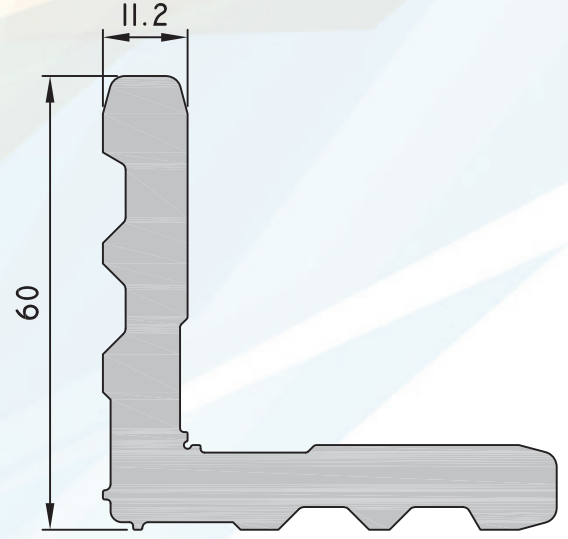
Profil No	Kesim Ölçüsü
FCW50T01	118,5 mm
FCW50T02	98,5 mm
FCW50T03	78,5 mm
FCW50T04	48,5 mm
FCW50T08	158,5 mm
FCW50T09	138,5 mm

FCW50C01-FCW50C02-FCW50C03 İÇİN
KESİM ÖLÇÜLERİ
FCW50C01-FCW50C02-FCW50C03 FOR
CUTTING SIZES

Profil No	Kesim Ölçüsü
FCW50M01	137,3 mm
FCW50M02	118,3 mm
FCW50M03	98,8 mm
FCW50M04	78,8
FCW50M05	59,3
FCW50M06	29,3
FCW50M07	105,8
FCW50M08	85,8
FCW50M09	65,8
FCW50M10	35,8



Profile No	
3193	
SYSTEM CODE	CC 142
WEIGHT kg/m	3,885 kg/m



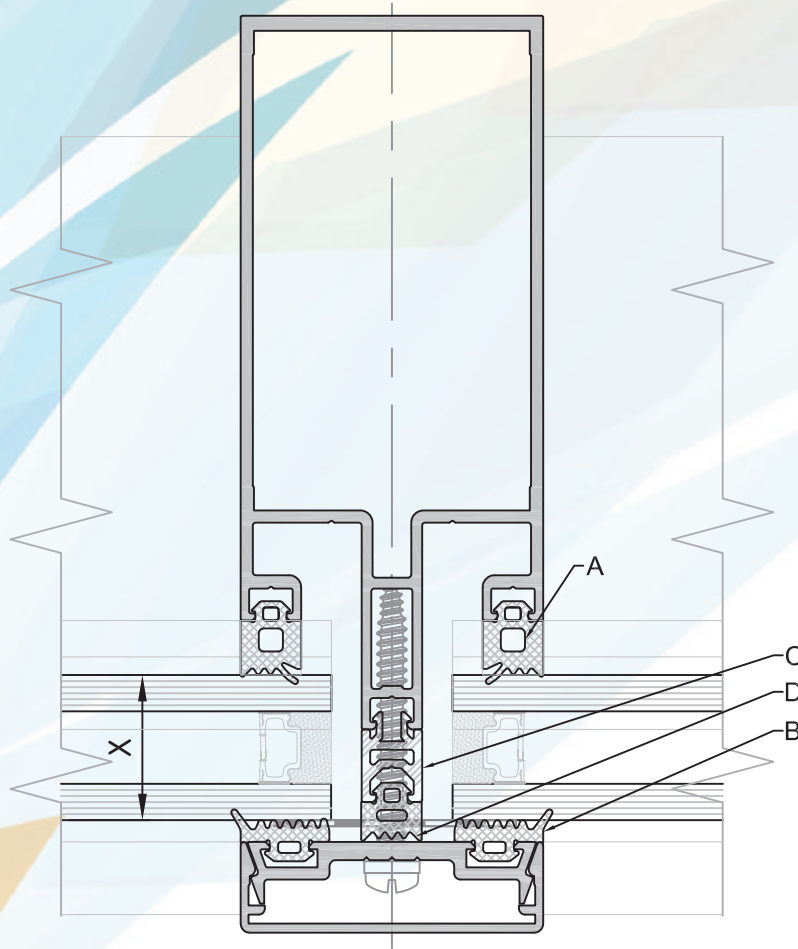
Profile No	
3192	
SYSTEM CODE	CC 112
WEIGHT kg/m	3,292 kg/m

CC 142 İÇİN KESİM ÖLÇÜLERİ
CC 142 FOR CUTTING SIZES

Profil No	Kesim Ölçüsü
FCW 50 F02	17,2 mm
FCW 50 F02	29,2 mm
FCW 50 F03	9,9 mm

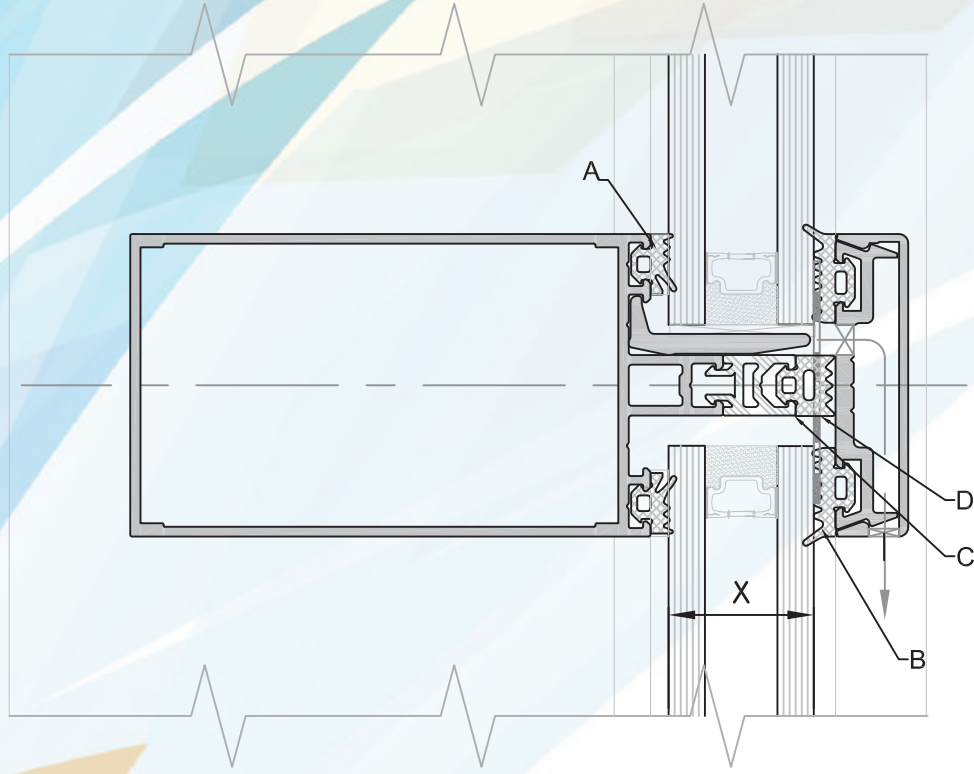
CC 112 İÇİN KESİM ÖLÇÜLERİ
CC 112 FOR CUTTING SIZES

Profil No	Kesim Ölçüsü
FCW 50 F01	29 mm



KAPAKLI CEPHE DÜŞEY PROFİLLER İÇİN CAM VE FİTİL TABLOSU

X-CAM X-GLASS	A-İÇ CAM FİTİLLERİ A-INNER GLASS GASKET	B-DIŞ CAM FİTİLLERİ B-OUTER GLASS GASKET	C-PVC ADAPTÖR C-PVC ADAPTER	D-TESPİT FİTİLİ D-GASKET
22 MM	RG.03.090	RG.03.011	PL.03.003	RG.03.012
24 MM	RG.03.090	RG.03.011	PL.03.003	RG.03.013
26 MM	RG.03.090	RG.03.011	PL.03.003	RG.03.014
28 MM	RG.03.090	RG.03.011	PL.03.004	RG.03.014
30 MM	RG.03.090	RG.03.011	PL.03.005	RG.03.013
32 MM	RG.03.090	RG.03.011	PL.03.005	RG.03.014
34 MM	RG.03.090	RG.03.011	PL.03.006	RG.03.013
36 MM	RG.03.090	RG.03.011	PL.03.006	RG.03.014



KAPAKLI CEPHE YATAY PROFİLLER İÇİN CAM VE FİTİL TABLOSU

X-CAM X-GLASS	A-İÇ CAM FİTİLLERİ A-INNER GLASS GASKET	B-DİŞ CAM FİTİLLERİ B-OUTER GLASS GASKET	C-PVC ADAPTÖR C-PVC ADAPTER	D-TESPİT FİTİLİ D-GASKET
22 MM	RG.03.030	RG.03.011	PL.03.003	RG.03.012
24 MM	RG.03.030	RG.03.011	PL.03.003	RG.03.013
26 MM	RG.03.030	RG.03.011	PL.03.003	RG.03.014
28 MM	RG.03.030	RG.03.011	PL.03.004	RG.03.014
30 MM	RG.03.030	RG.03.011	PL.03.005	RG.03.013
32 MM	RG.03.030	RG.03.011	PL.03.005	RG.03.014
34 MM	RG.03.030	RG.03.011	PL.03.006	RG.03.013
36 MM	RG.03.030	RG.03.011	PL.03.006	RG.03.014



serai[®]

ALUMINIUM & STEEL

*Sistem Detayları /
System Details*



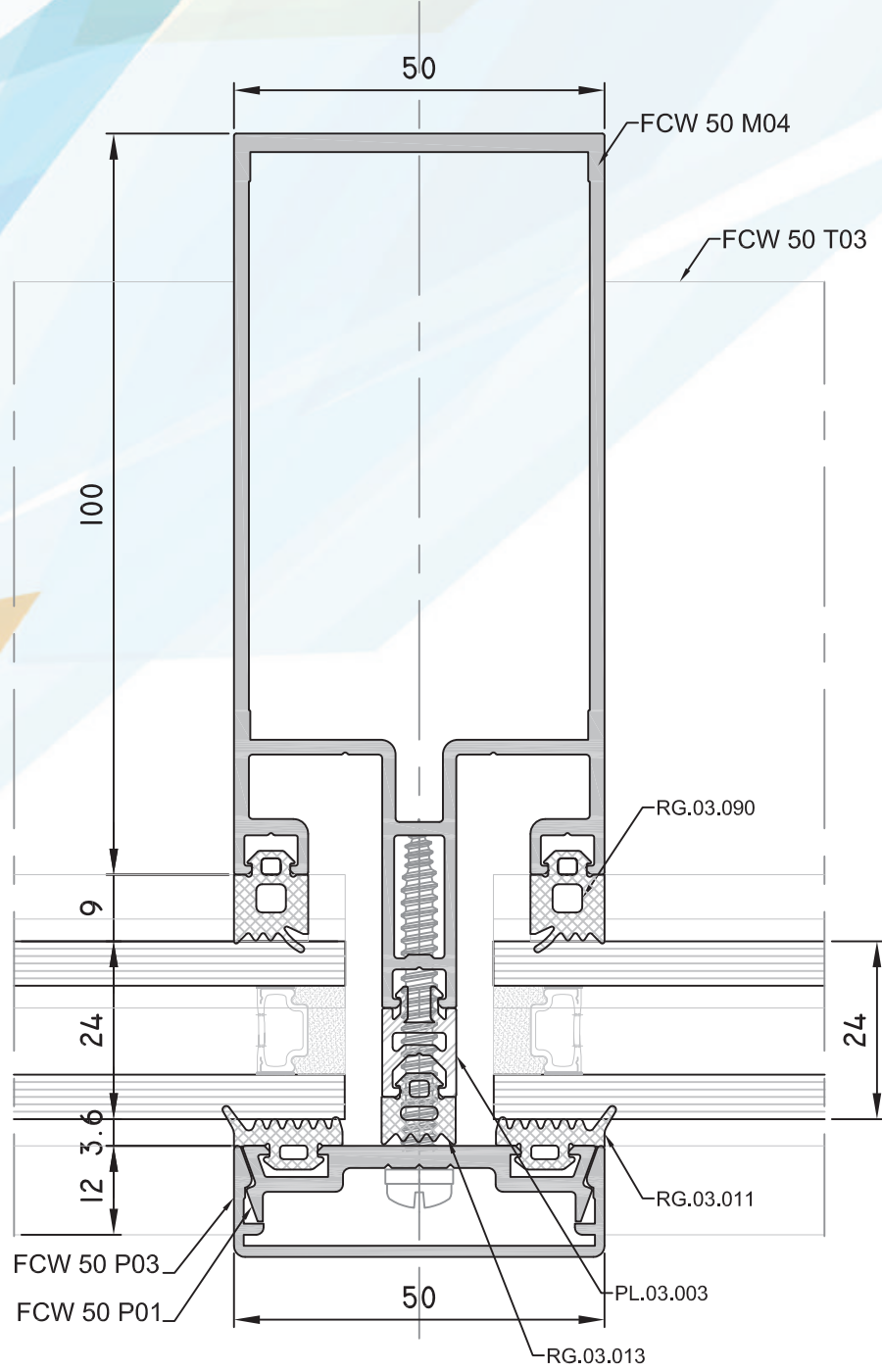
seral[®]

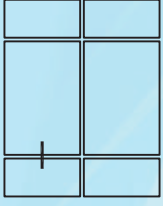
ALUMINIUM & STEEL

*2mm Taşıyıcı Dikme Profilleri
L Kondens Kanallı Tip İle
Klasik Kapaklı Cephe*

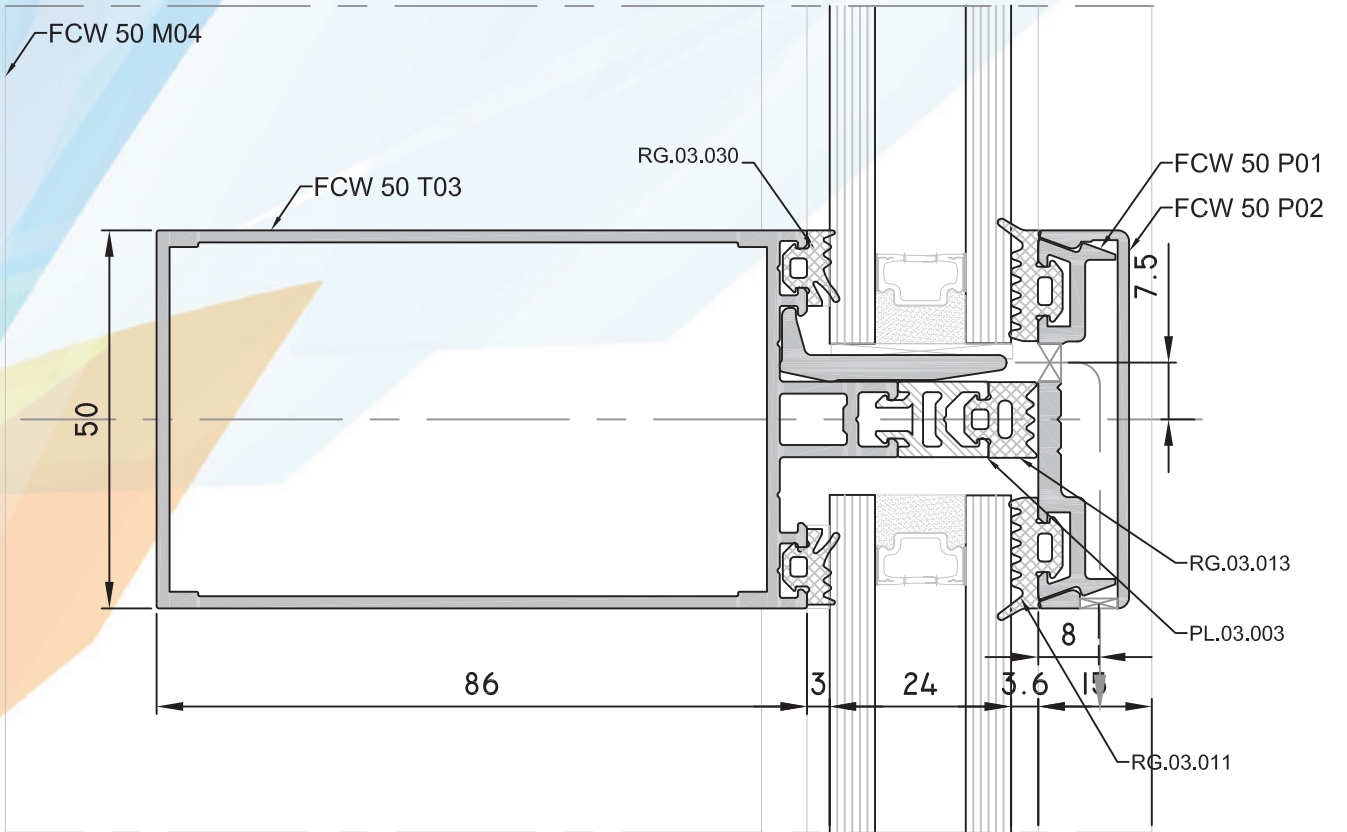


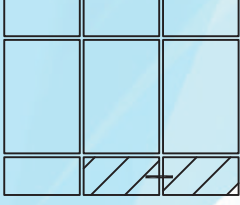
KAPAKLI CEPHE DÜŞEY KESİT DETAYI
CURTAIN WALL VERTICAL DETAIL



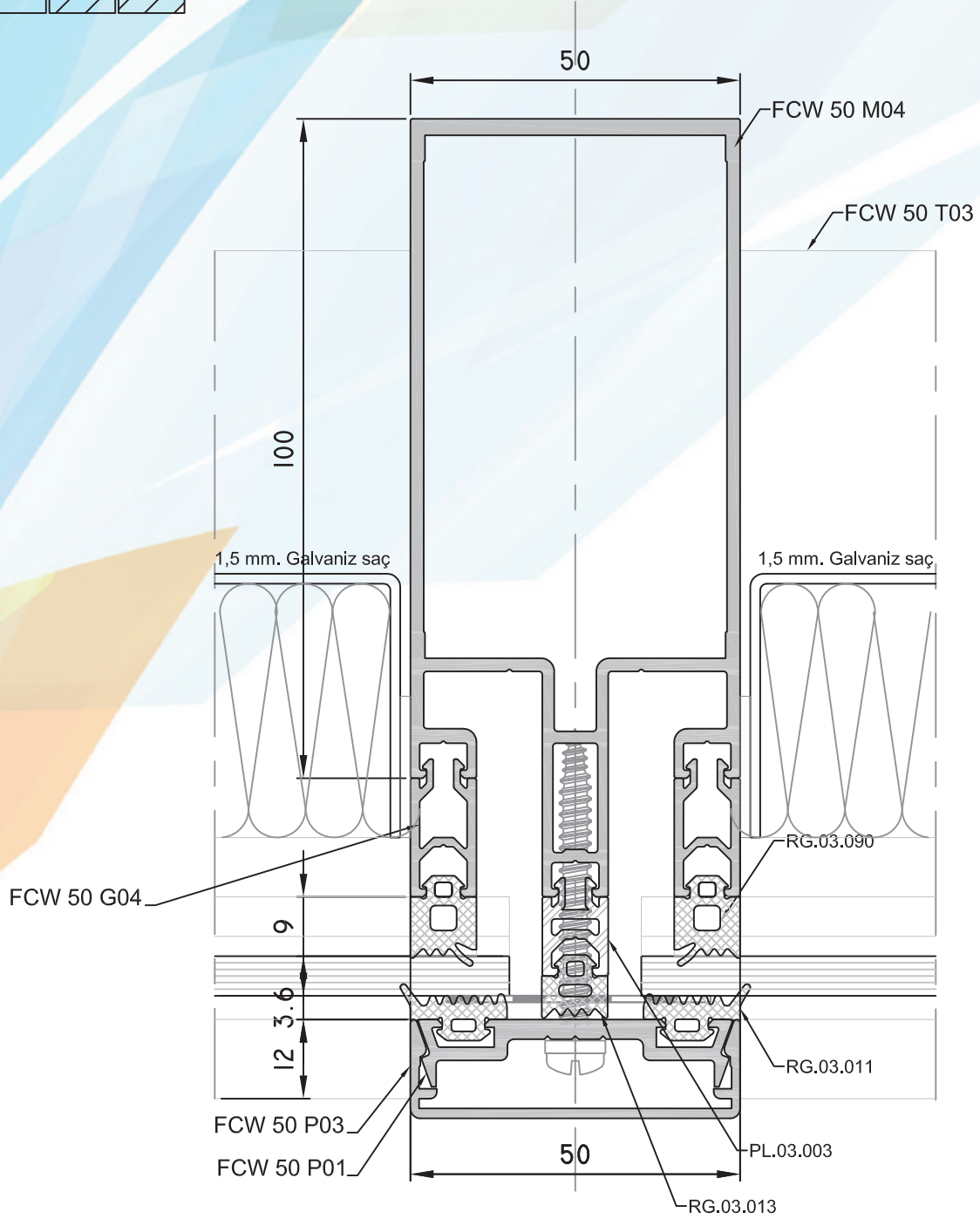


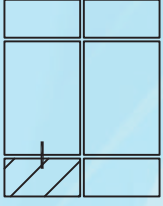
KAPAKLI CEPHE YATAY DETAYI
CURTAIN WALL HORIZONTAL DETAIL



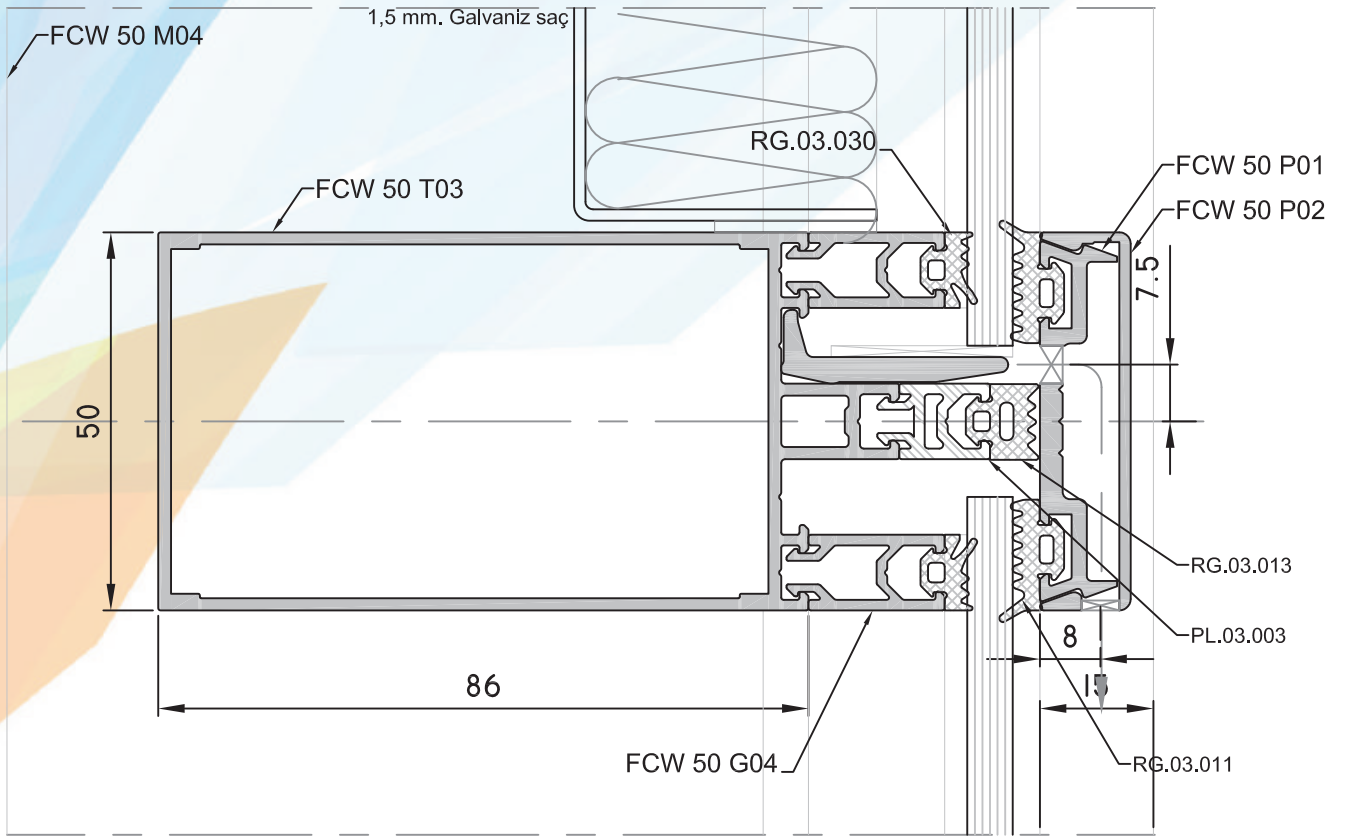


KAPAKLI CEPHE DÜŞEY KESİT SPANDREL PANEL DETAYI
SPANDREL PANEL CURTAIN WALL VERTICAL DETAIL

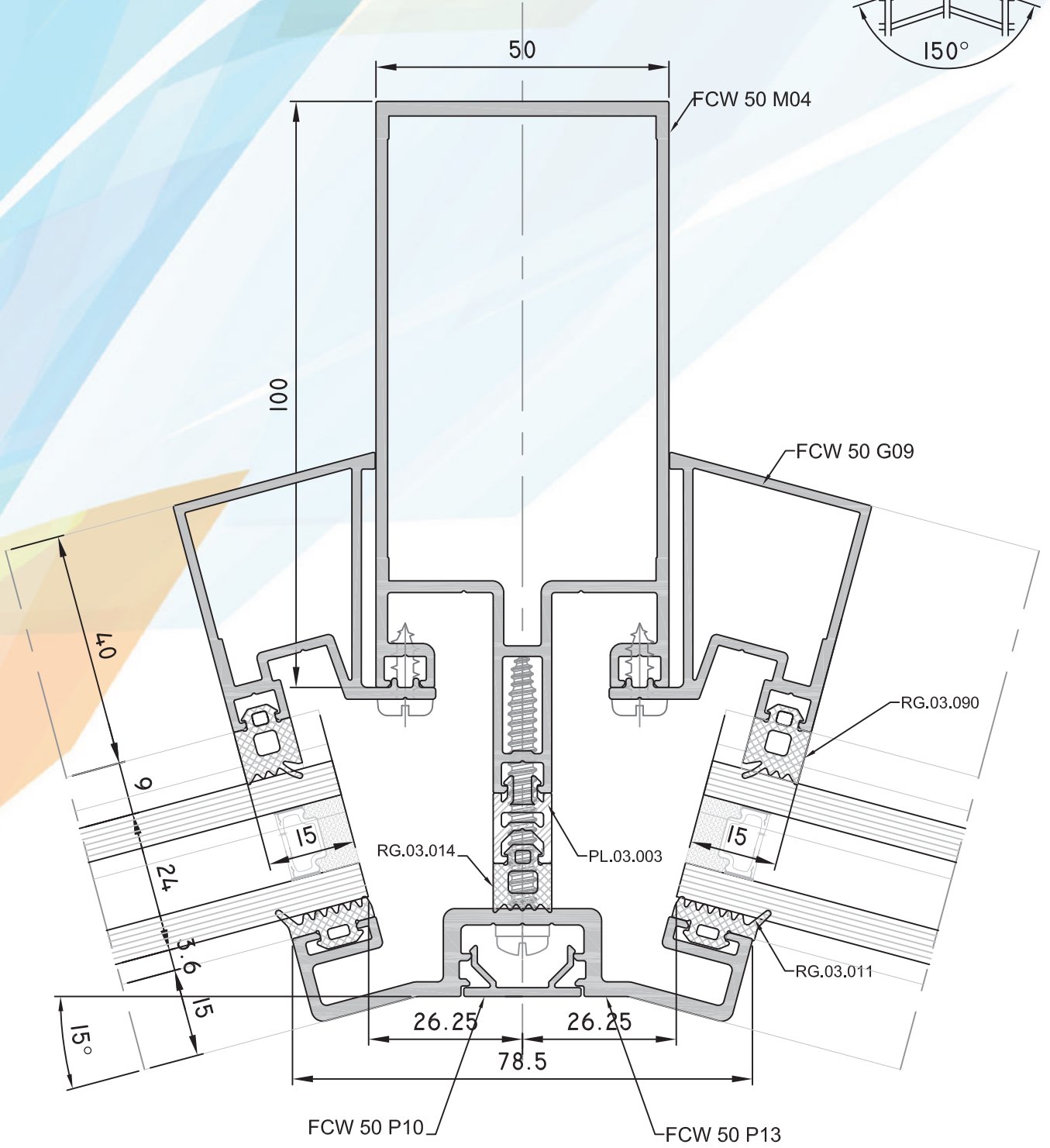
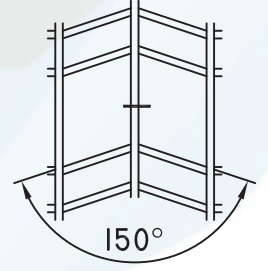




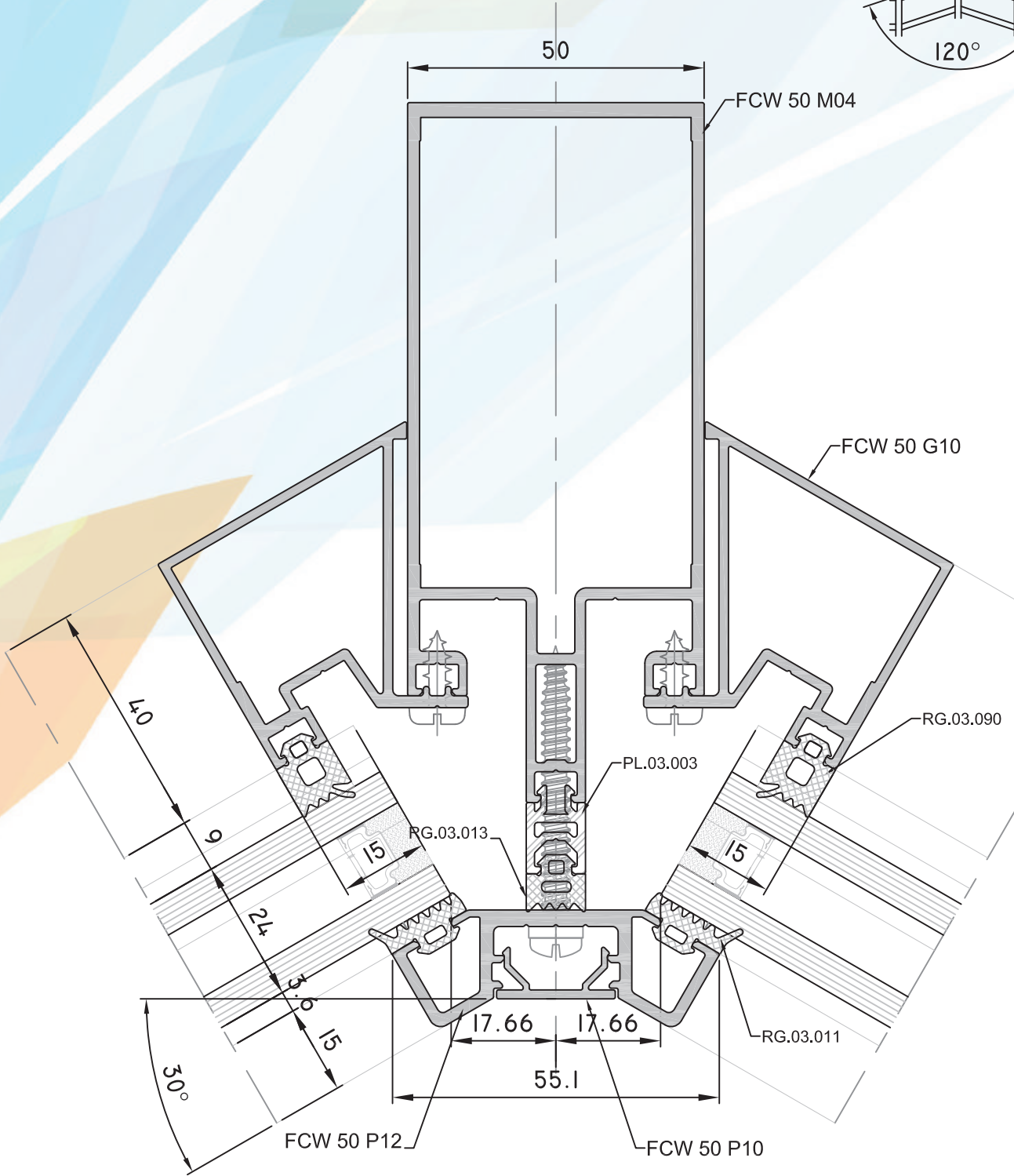
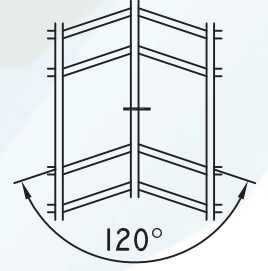
KAPAKLI CEPHE YATAY DETAYI
CURTAIN WALL HORIZONTAL DETAIL



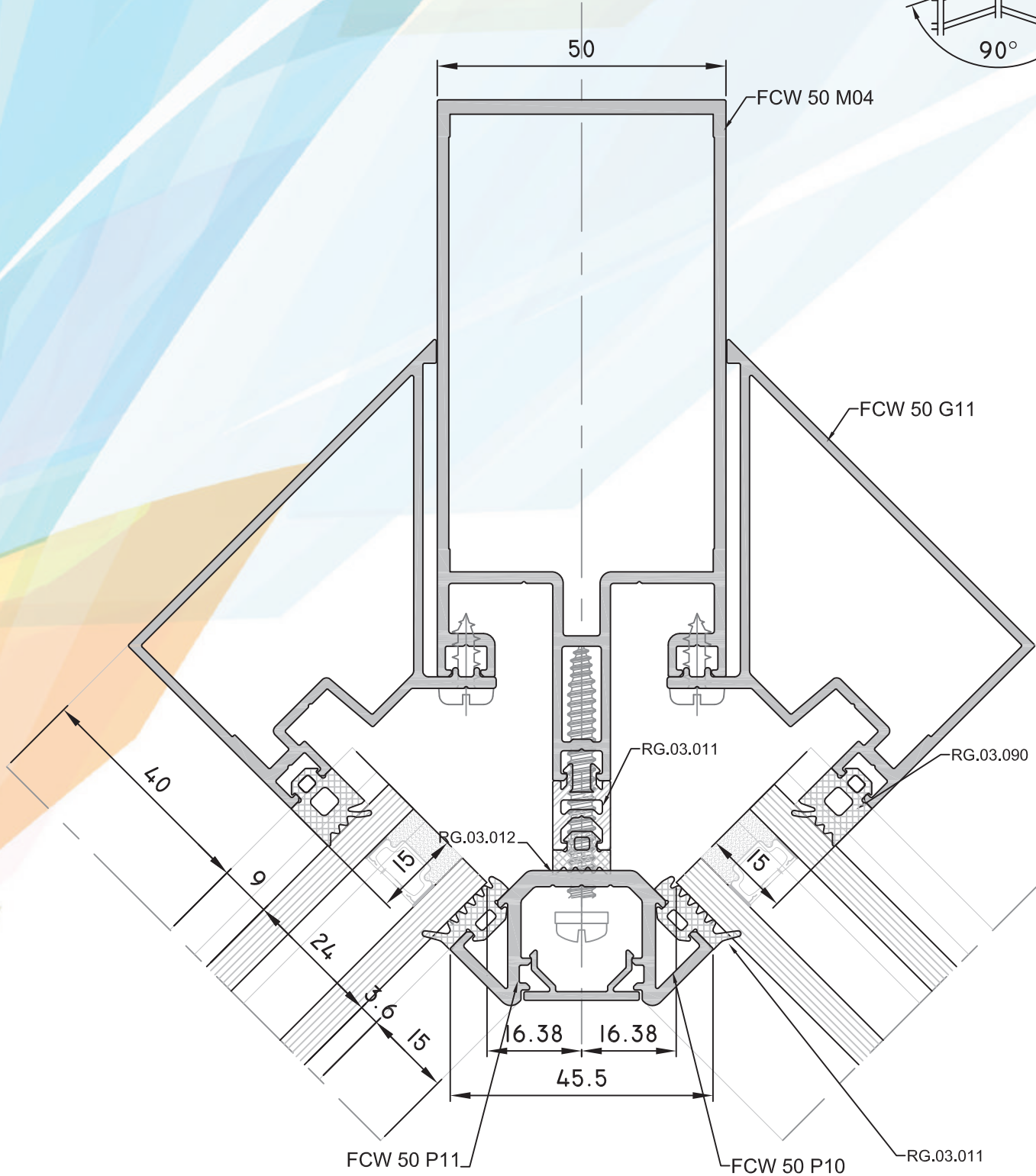
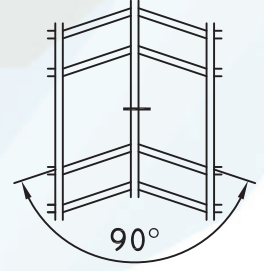
150° DIŞ AÇILI KAPAKLI CEPHE DÜŞEY DETAYI
150° ANGULAR CURTAIN WALL VERTICAL DETAIL



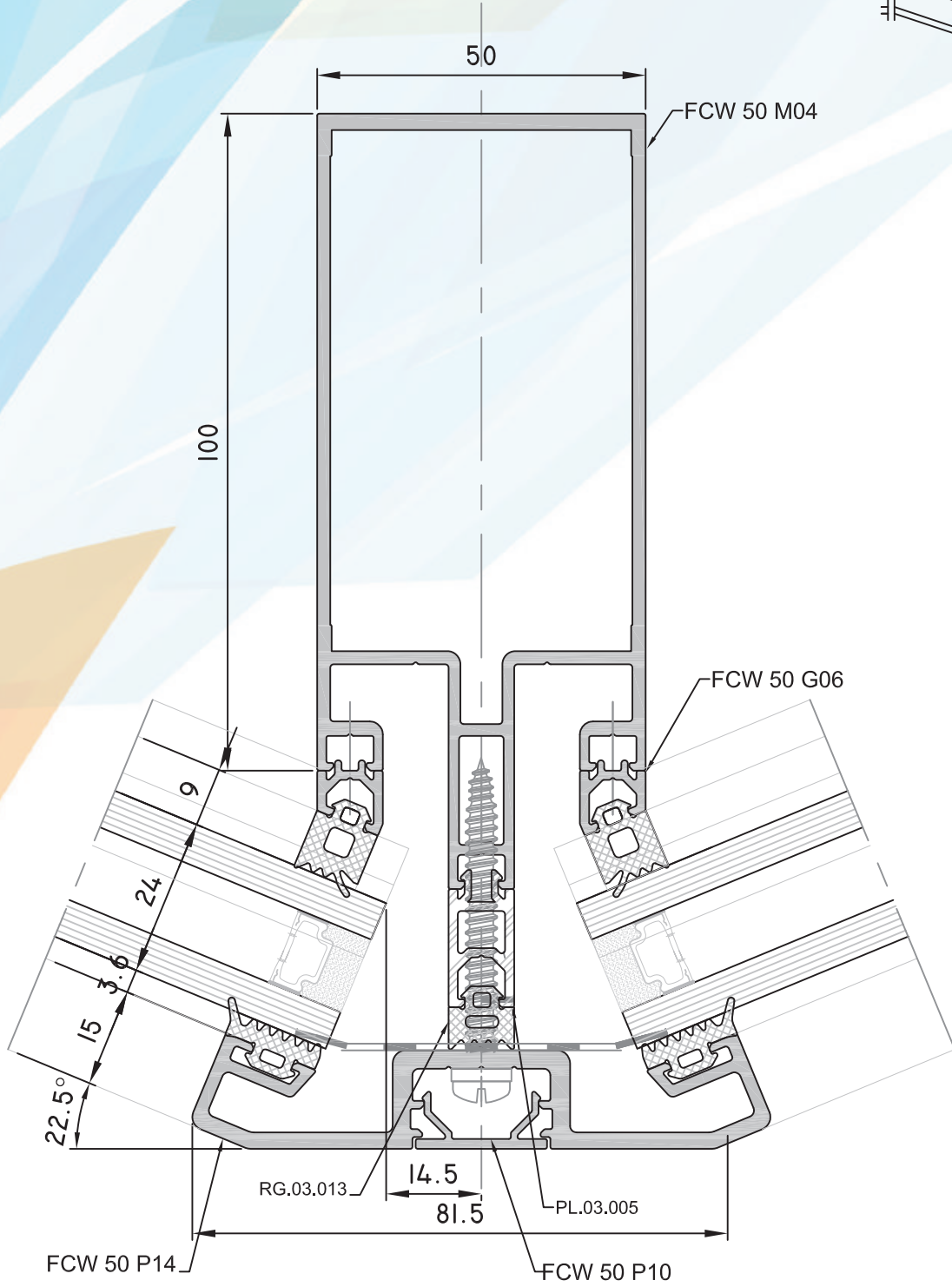
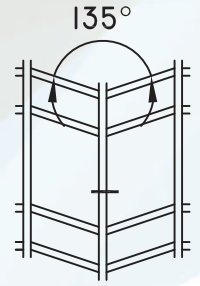
120° DIŞ AÇILI KAPAKLI CEPHE DÜŞEY DETAYI
120° ANGULAR CURTAIN WALL VERTICAL DETAIL



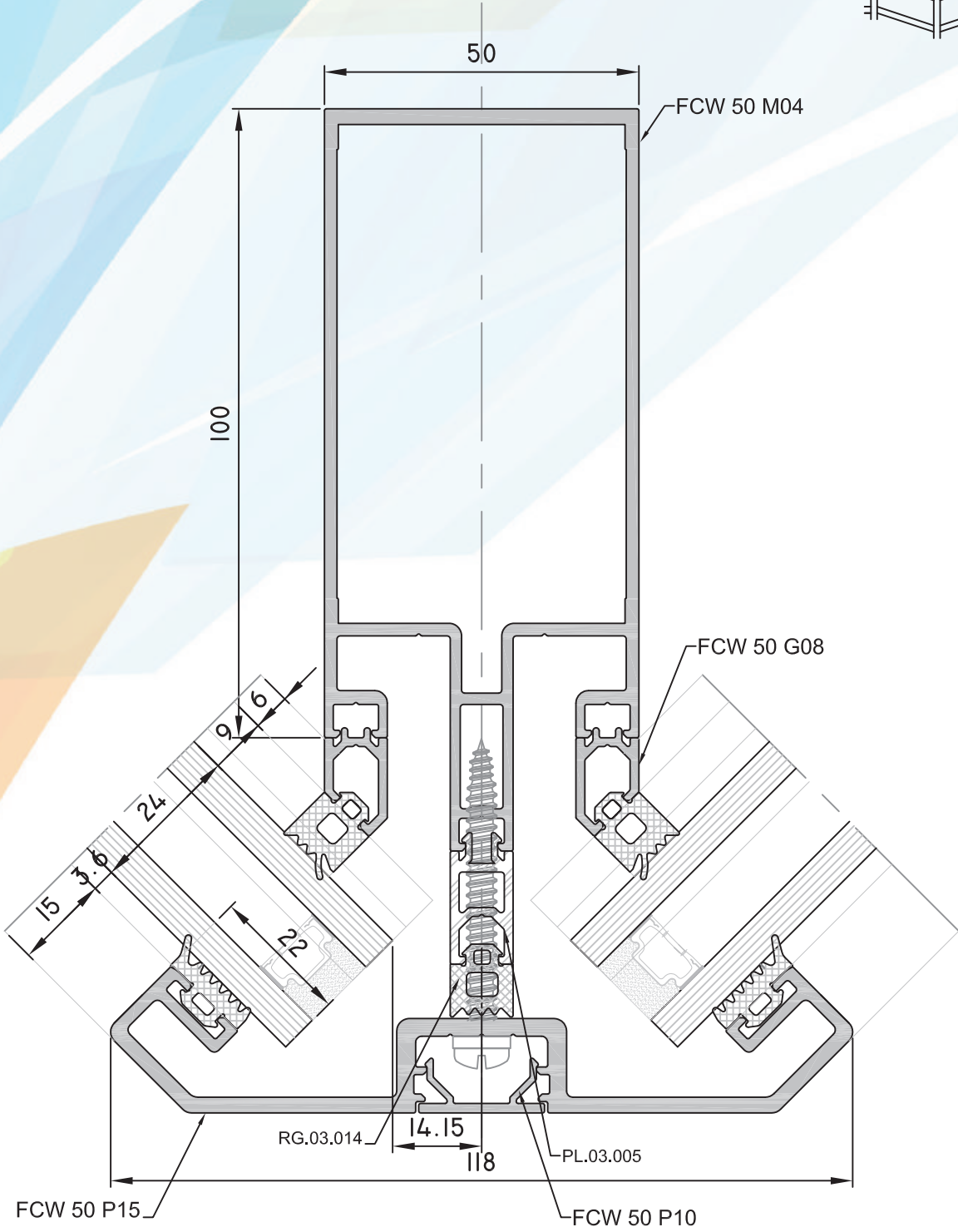
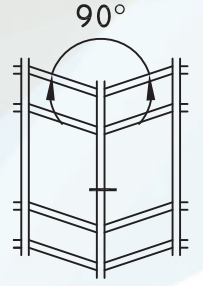
90° DIŞ AÇILI KAPAKLI CEPHE DÜŞEY DETAYI
90° ANGULAR CURTAIN WALL VERTICAL DETAIL



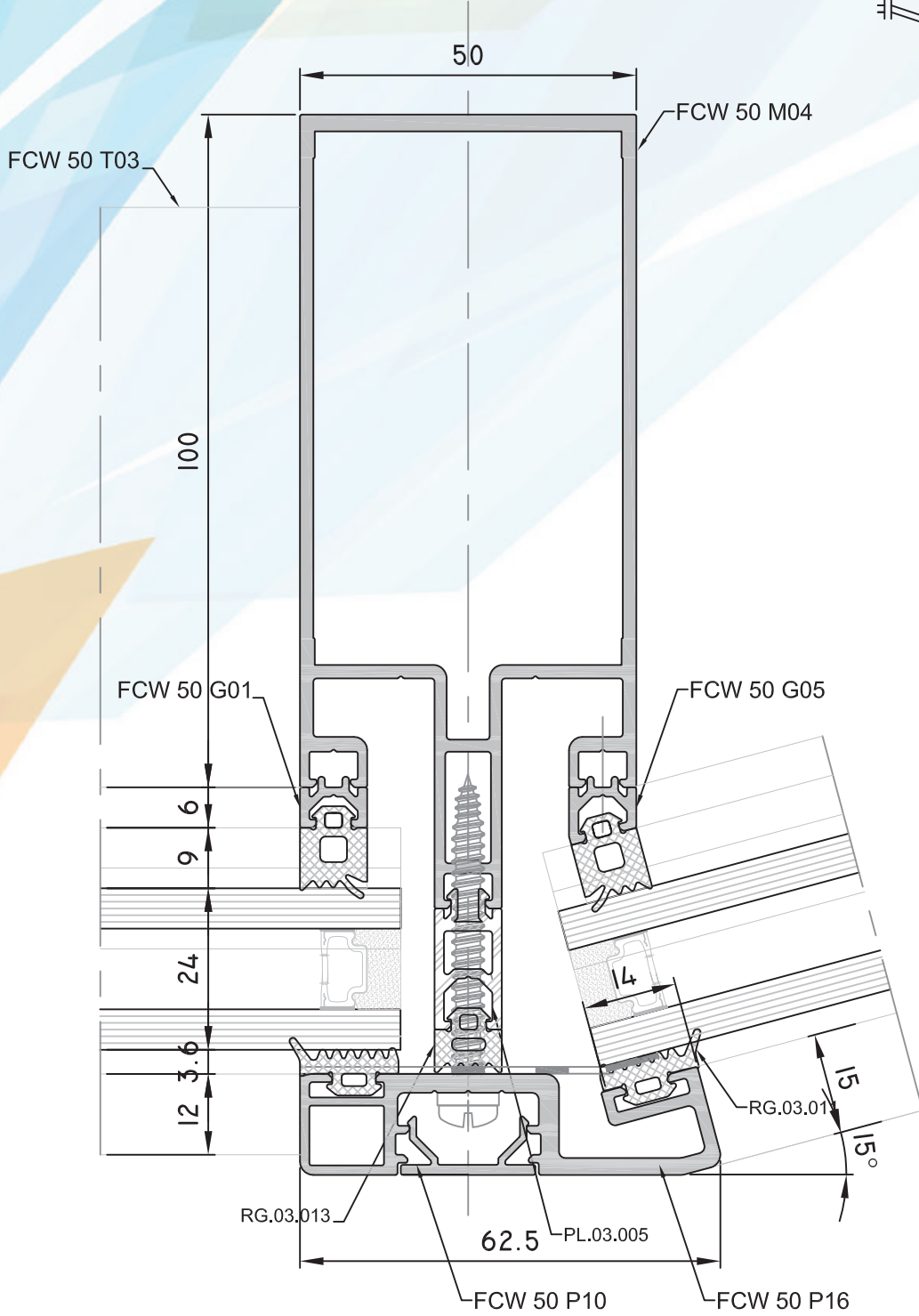
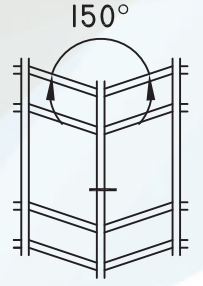
135° İÇ AÇILI KAPAKLI CEPHE DÜŞEY DETAYI
135° ANGULAR CURTAIN WALL VERTICAL DETAIL



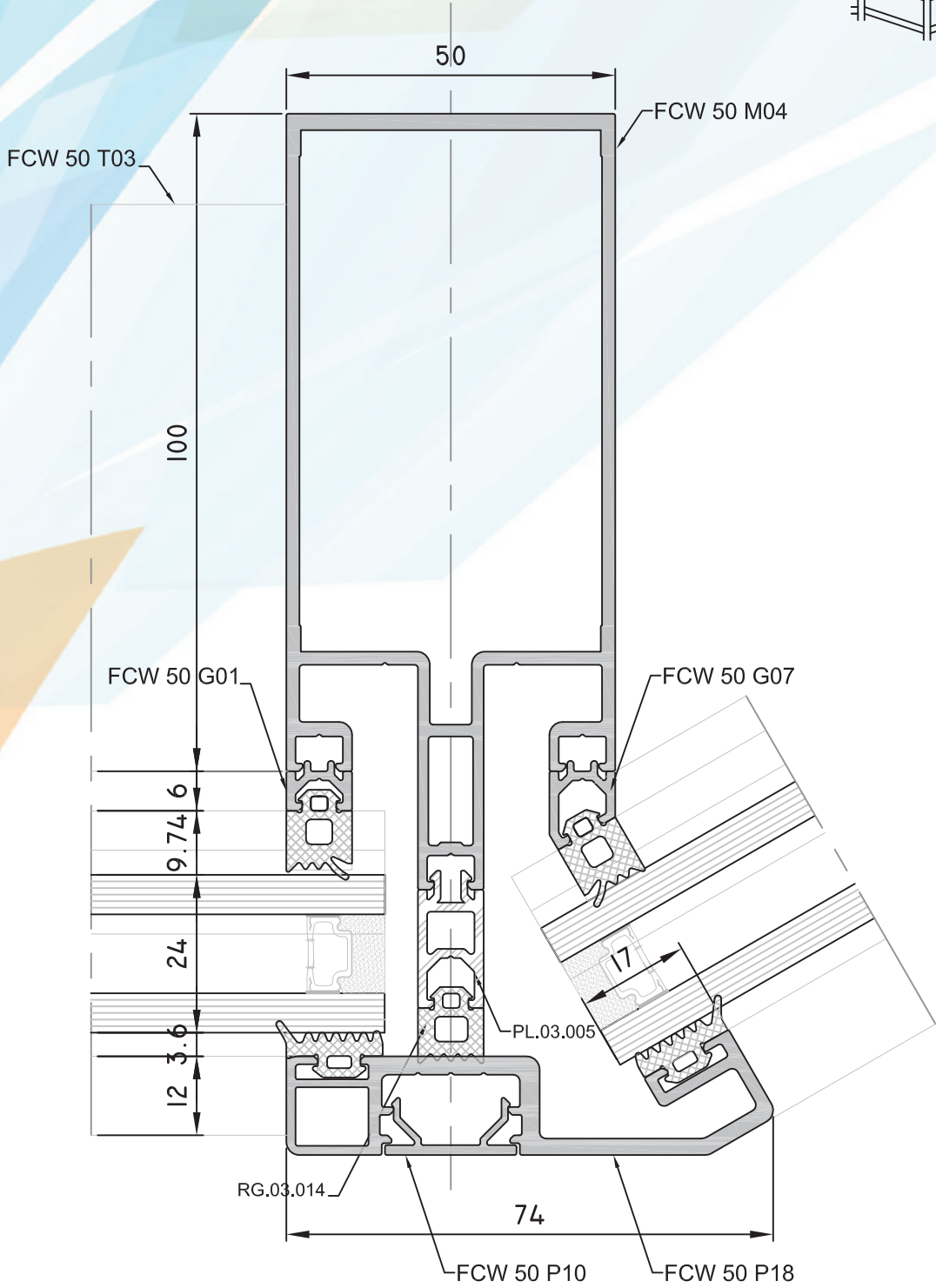
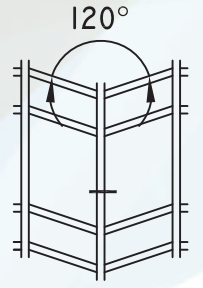
90° İÇ AÇILI KAPAKLI CEPHE DÜŞEY DETAYI
90° ANGULAR CURTAIN WALL VERTICAL DETAIL



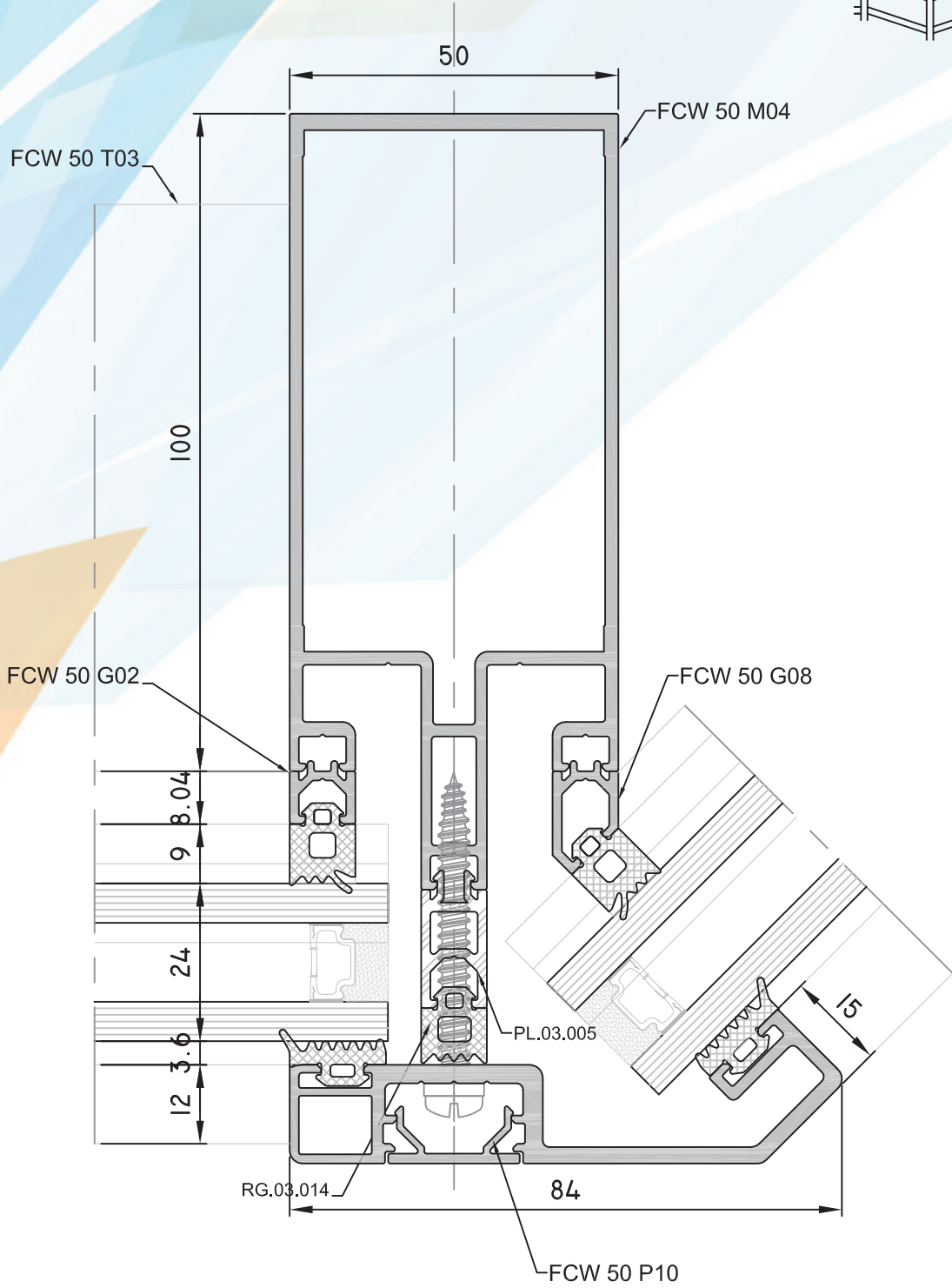
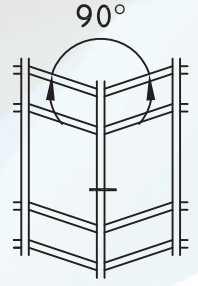
150° İÇ AÇILI KAPAKLI CEPHE DÜŞEY DETAYI
150° ANGULAR CURTAIN WALL VERTICAL DETAIL

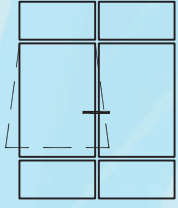


120° İÇ AÇILI KAPAKLI CEPHE DÜŞEY DETAYI
120° ANGULAR CURTAIN WALL VERTICAL DETAIL

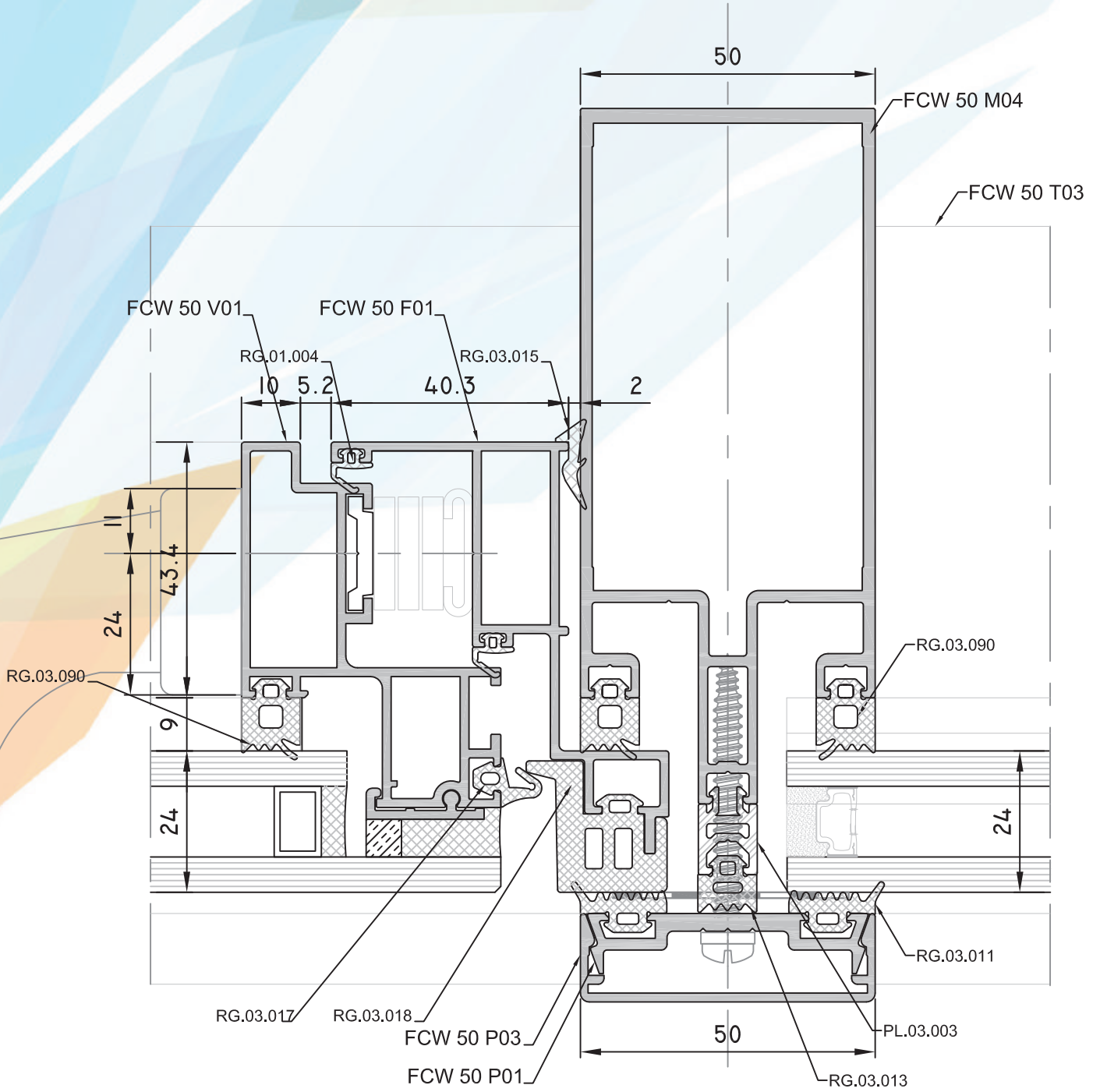


90° İÇ AÇILI KAPAKLI CEPHE DÜŞEY DETAYI
90° ANGULAR CURTAIN WALL VERTICAL DETAIL



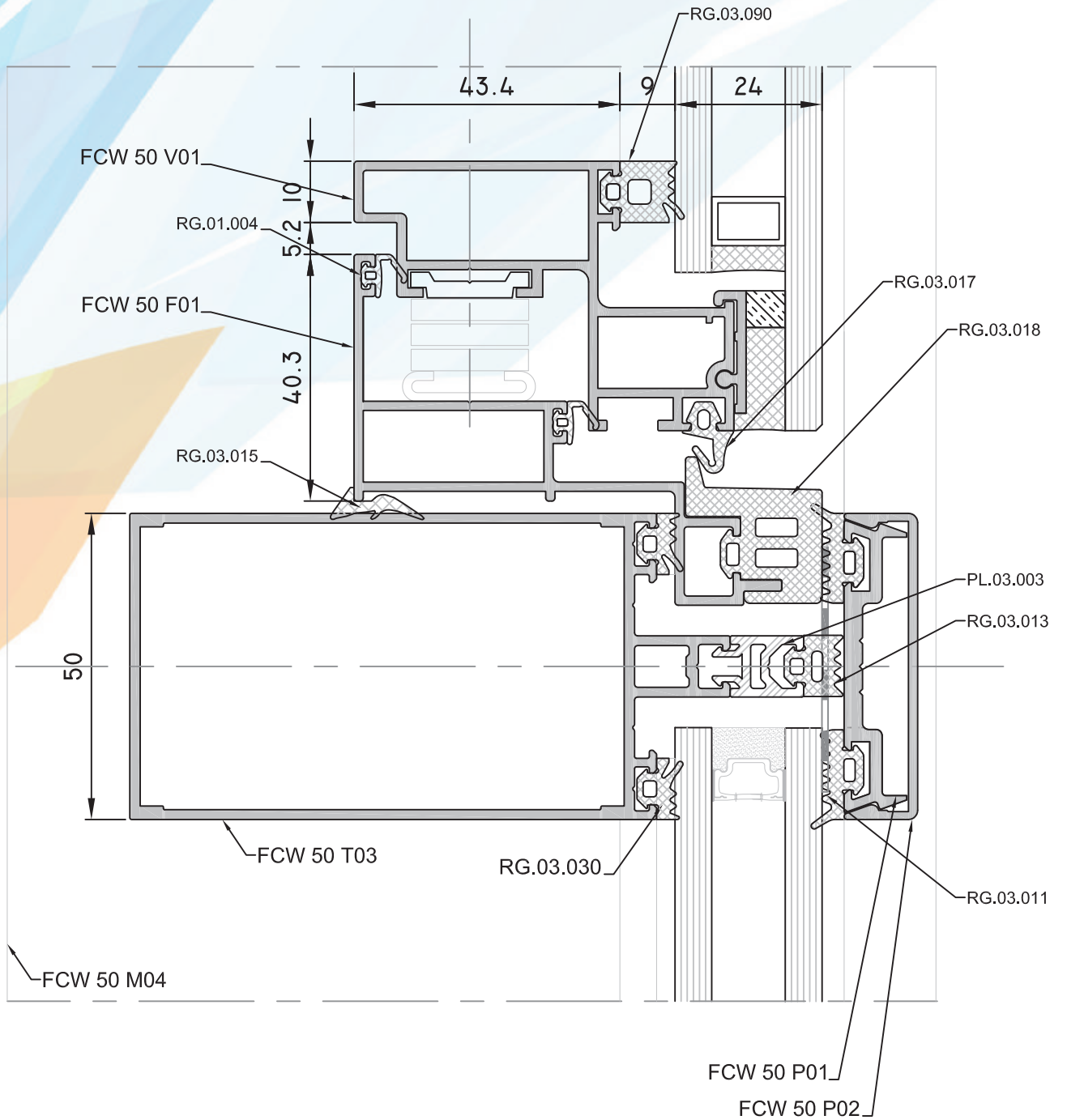


KAPAKLI CEPHE İÇERİSİNE GİZLİ KANAT DÜŞEY DETAYI
VERTICAL DETAIL OF HIDDEN VENT IN CURTAIN WALL



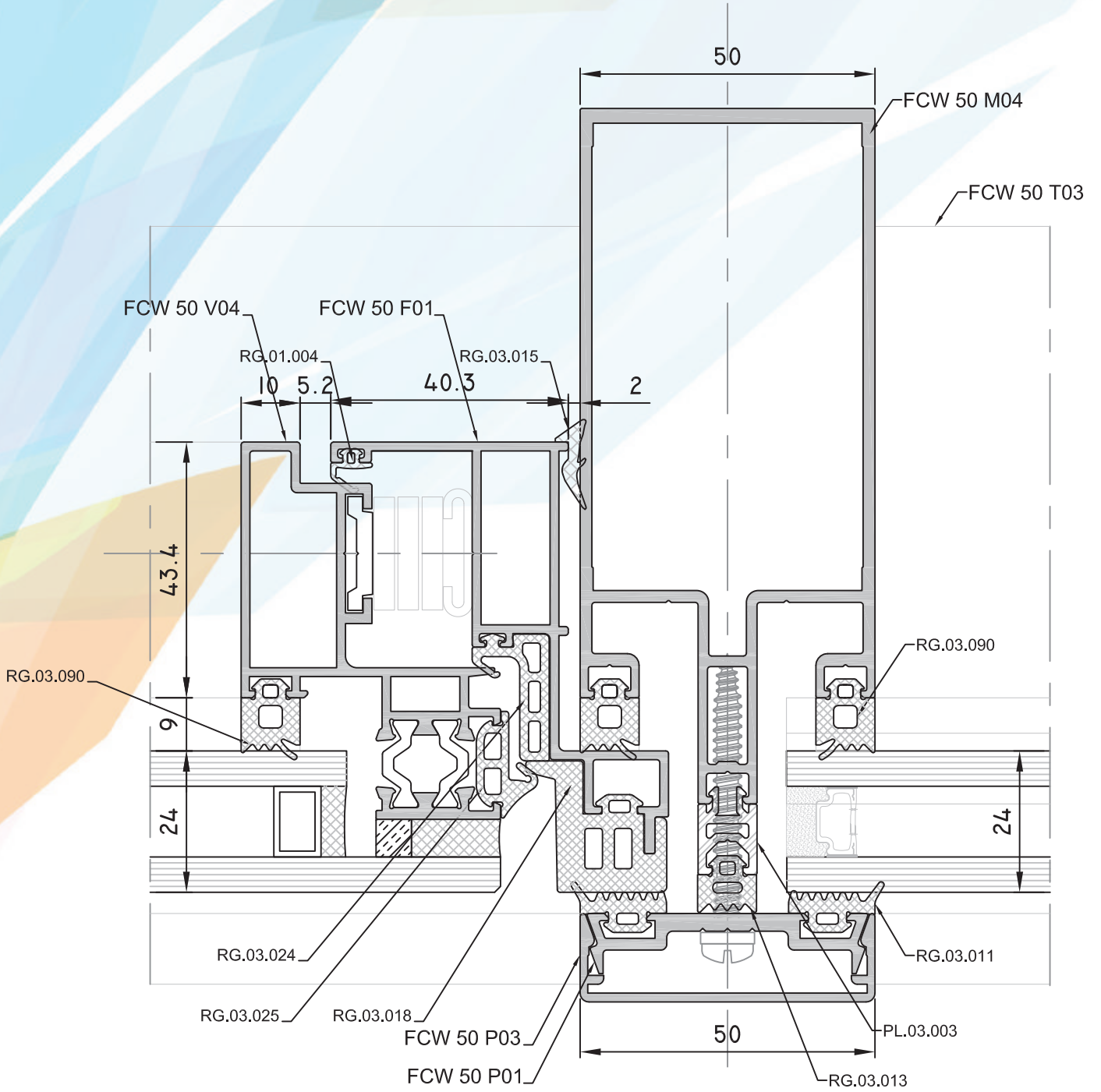


KAPAKLI CEPHE İÇERİSİNE GİZLİ KANAT YATAY DETAYI
HORIZONTAL DETAIL OF HIDDEN VENT IN CURTAIN WALL



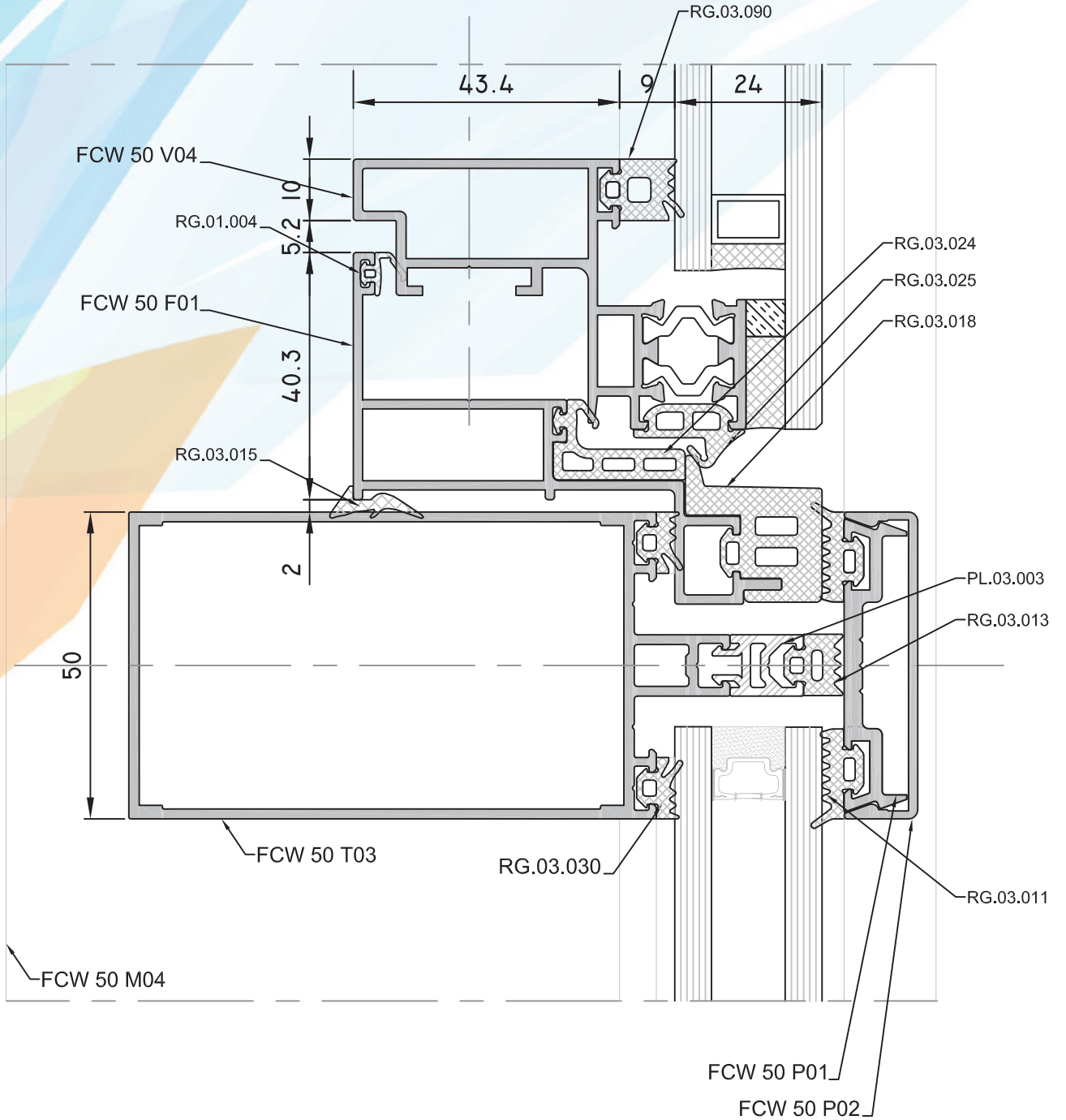


KAPAKLI CEPHE İÇERİSİNE GİZLİ KANAT DÜŞEY DETAYI
VERTICAL DETAIL OF HIDDEN VENT IN CURTAIN WALL



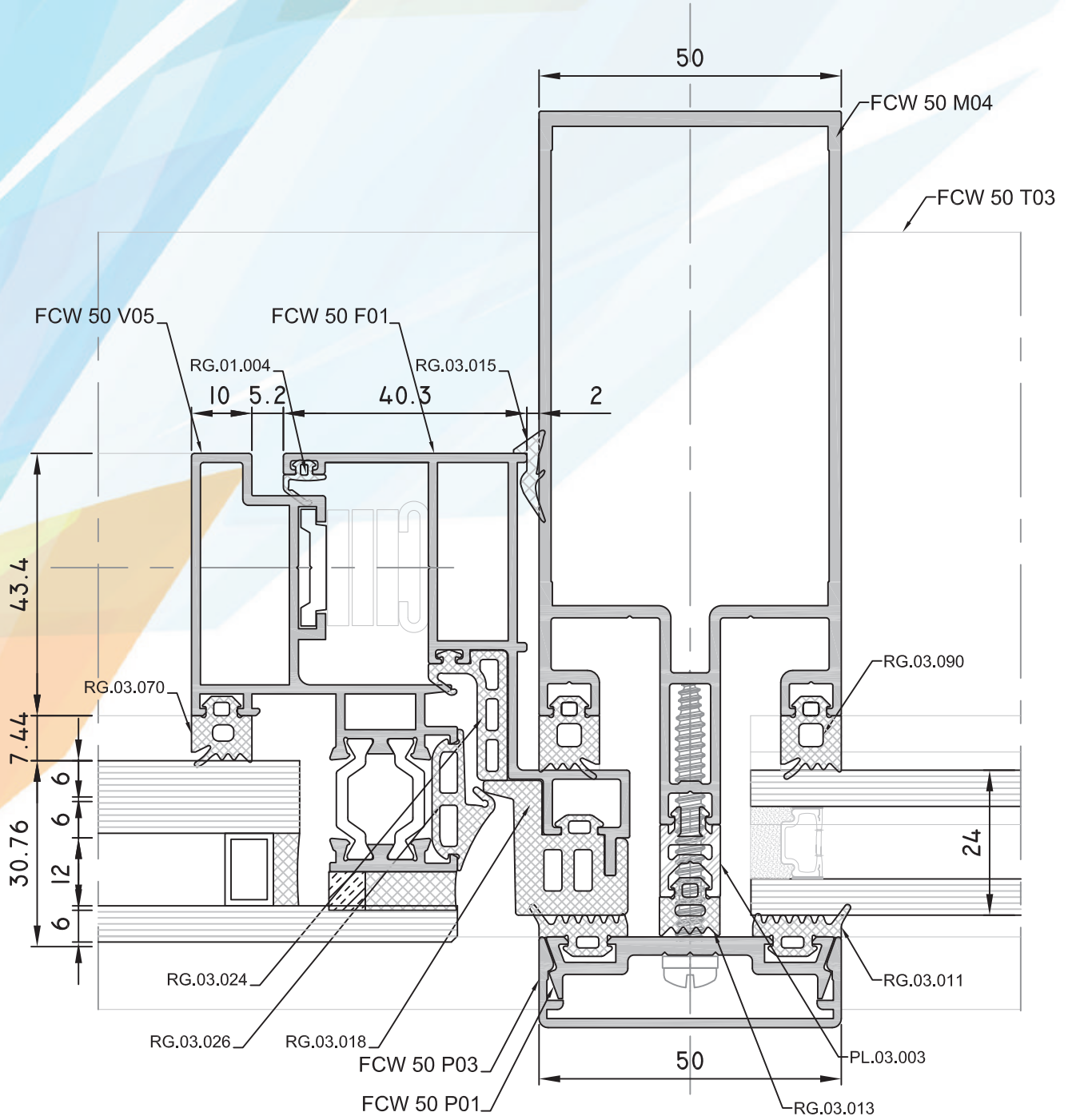


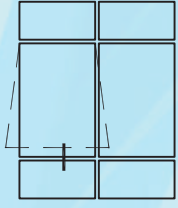
KAPAKLI CEPHE İÇERİSİNE GİZLİ KANAT YATAY DETAYI
HORIZONTAL DETAIL OF HIDDEN VENT IN CURTAIN WALL



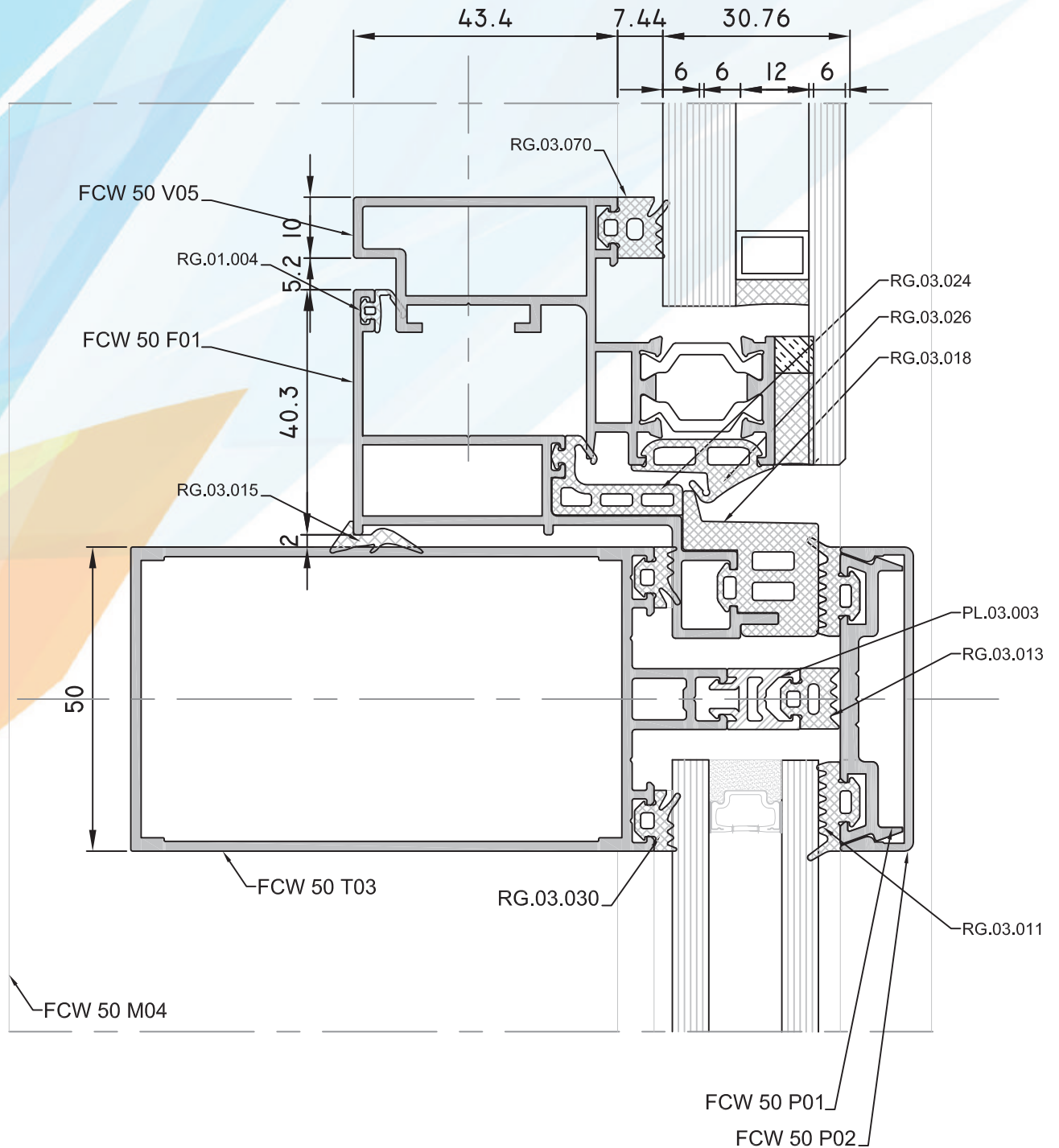


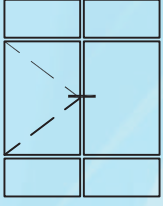
KAPAKLI CEPHE İÇERİSİNE LAMİNE CAMLI GİZLİ KANAT DÜŞEY DETAYI
VERTICAL DETAIL OF HIDDEN VENT IN CURTAIN WALL WITH LSG



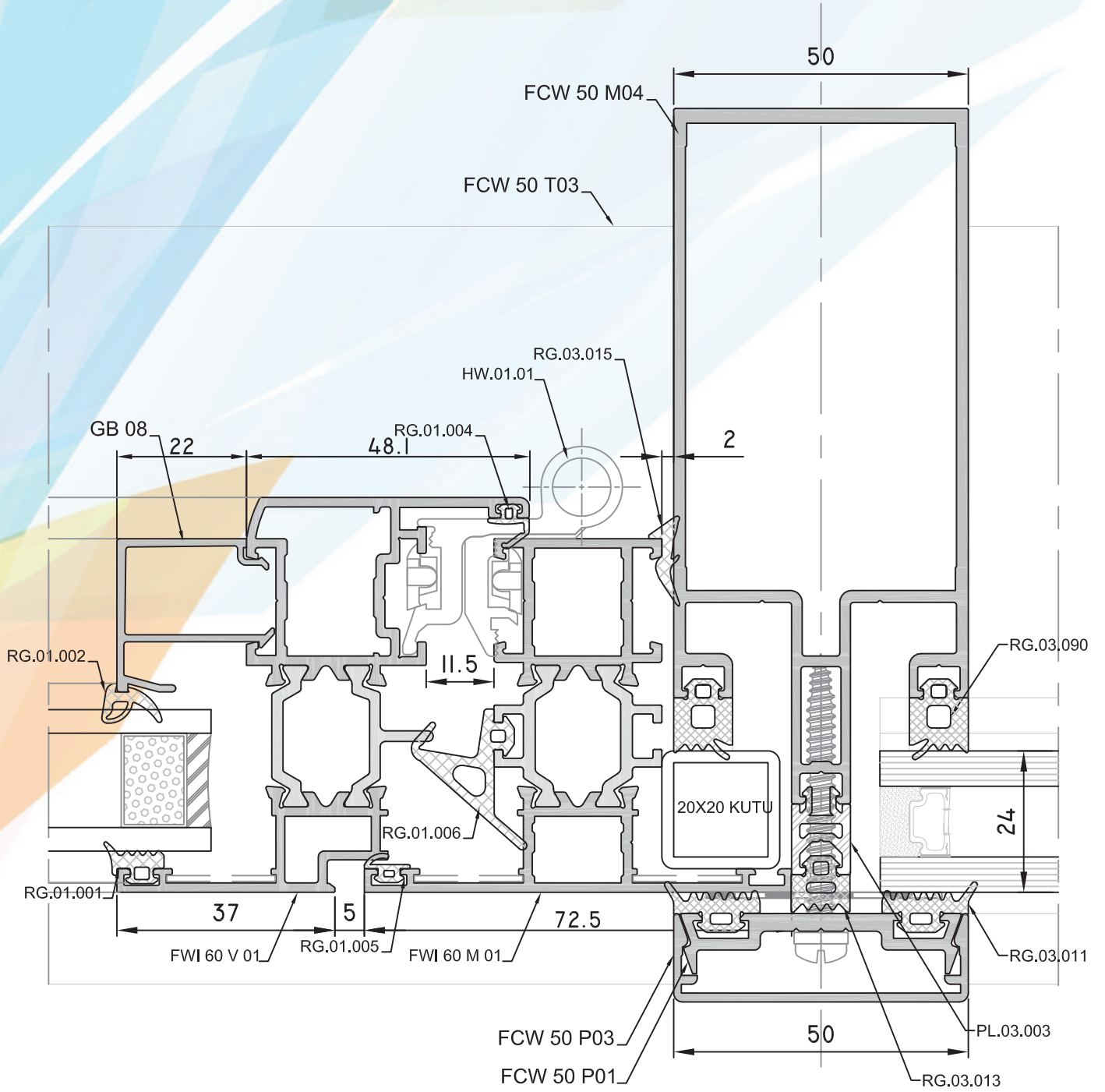


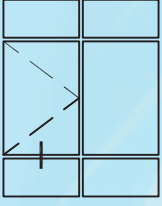
KAPAKLI CEPHE İÇERİSİNE LAMİNE CAMLI GİZLİ KANAT YATAY DETAYI
HORIZONTAL DETAIL OF HIDDEN VENT IN CURTAIN WALL WITH LSG



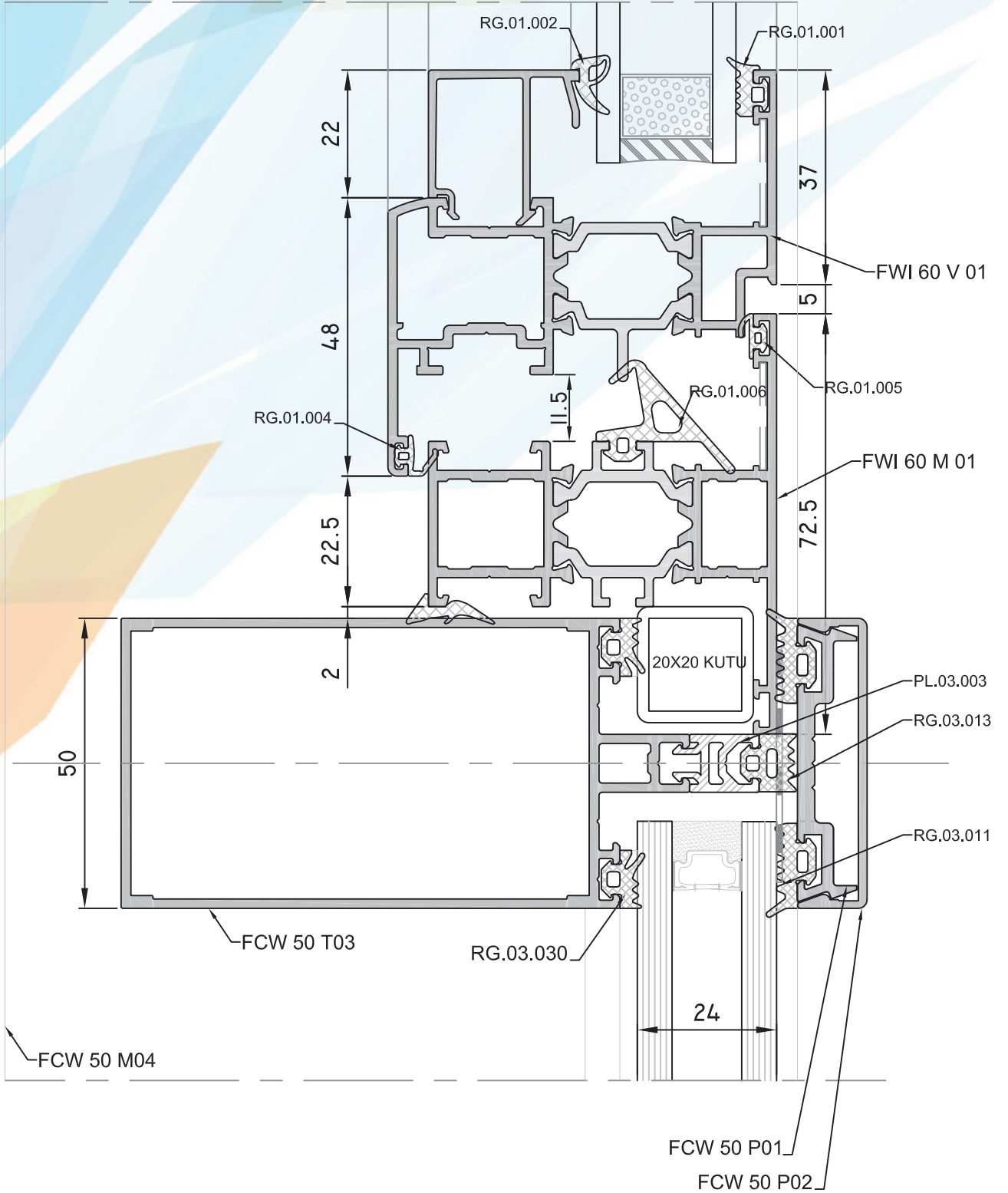


KAPAKLI CEPHE İÇERİSİNE AÇILIR KANAT DÜŞEY DETAYI
VERTICAL DETAIL OF OPENING VENT IN CURTAIN WALL

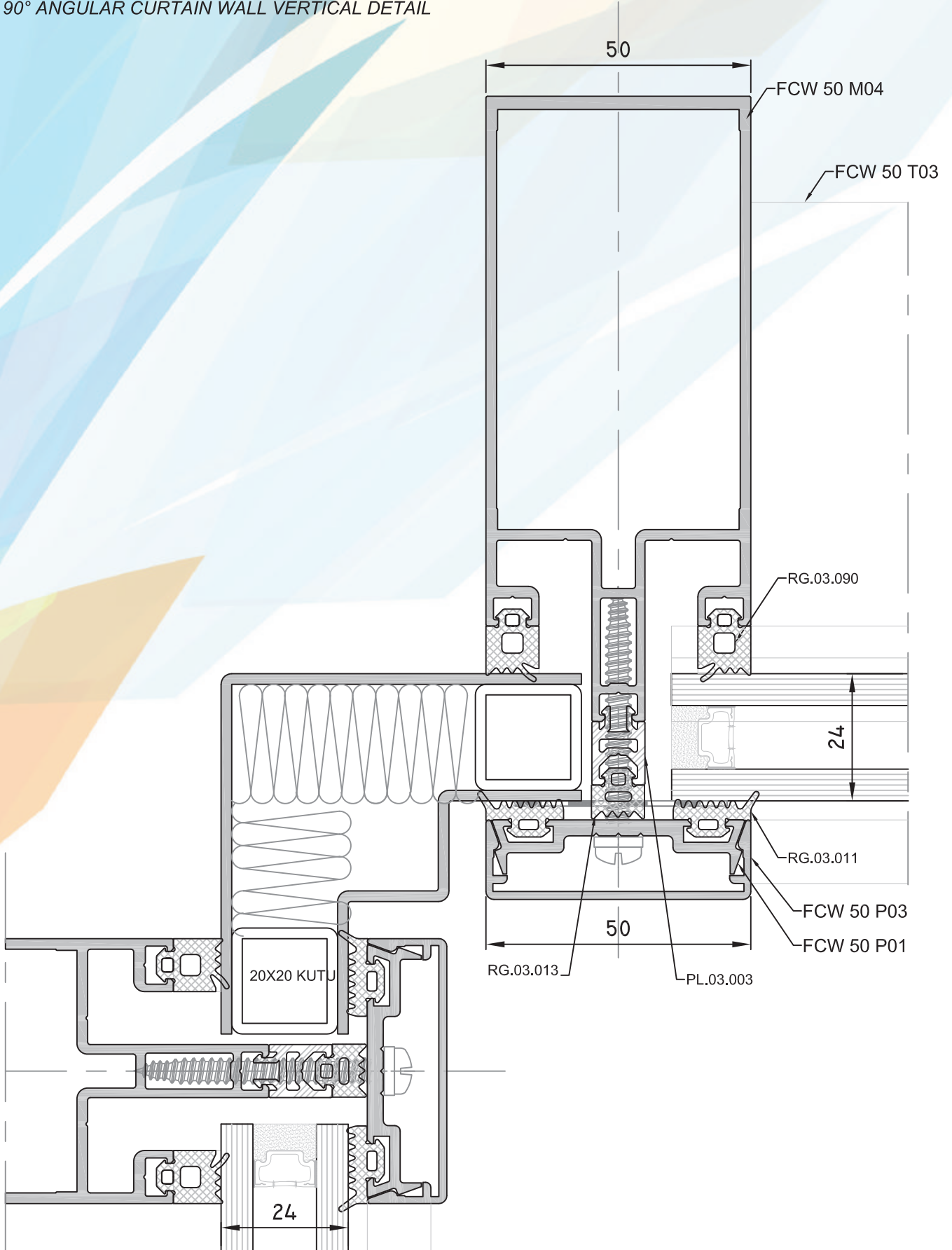




KAPAKLI CEPHE İÇERİSİNE AÇILIR KANAT YATAY DETAYI
HORIZONTAL DETAIL OF OPENING VENT IN CURTAIN WALL



90° KÖŞE DÖNÜŞ KAPAKLI CEPHE DÜŞEY KESİT DETAYI
90° ANGULAR CURTAIN WALL VERTICAL DETAIL



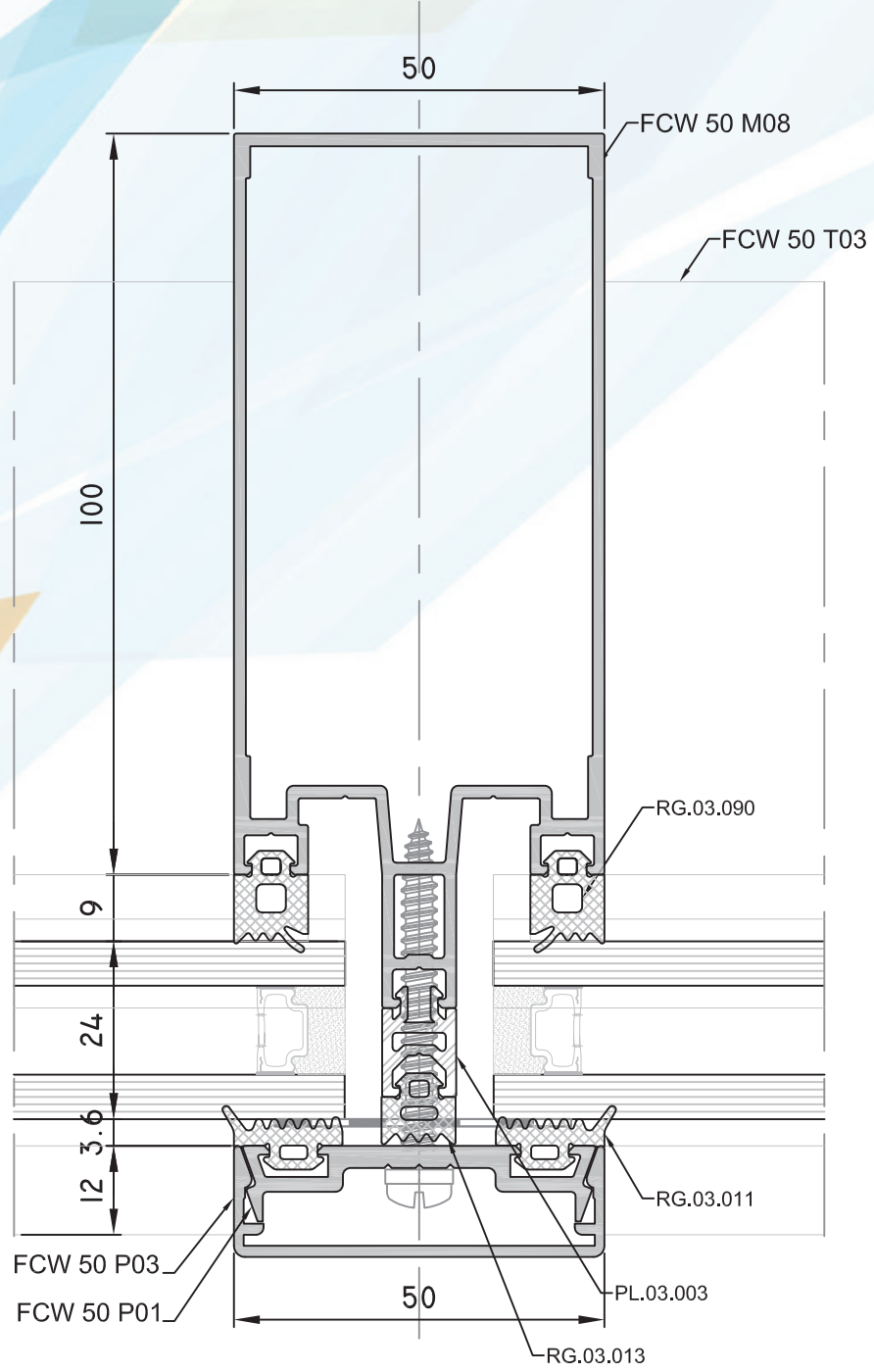
seral[®]

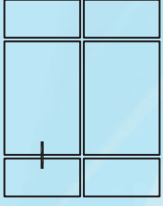
ALUMINIUM & STEEL

*1,6 mm Taşıyıcı Dikme Profilleri
U Kondens Kanallı Tip İle Klasik
Kapaklı Cephe*

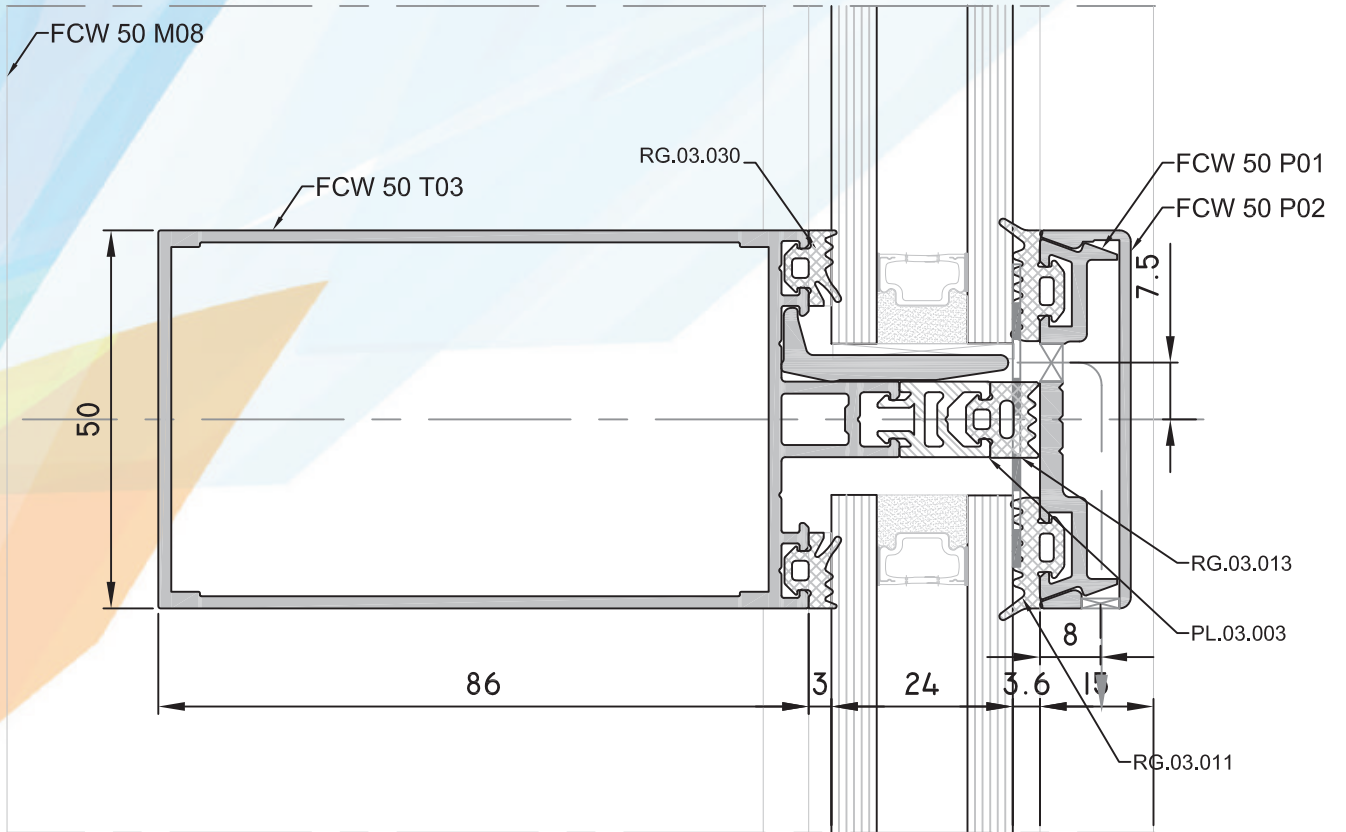


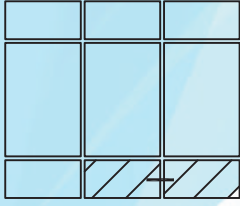
KAPAKLI CEPHE DÜŞEY KESİT DETAYI
CURTAIN WALL VERTICAL DETAIL



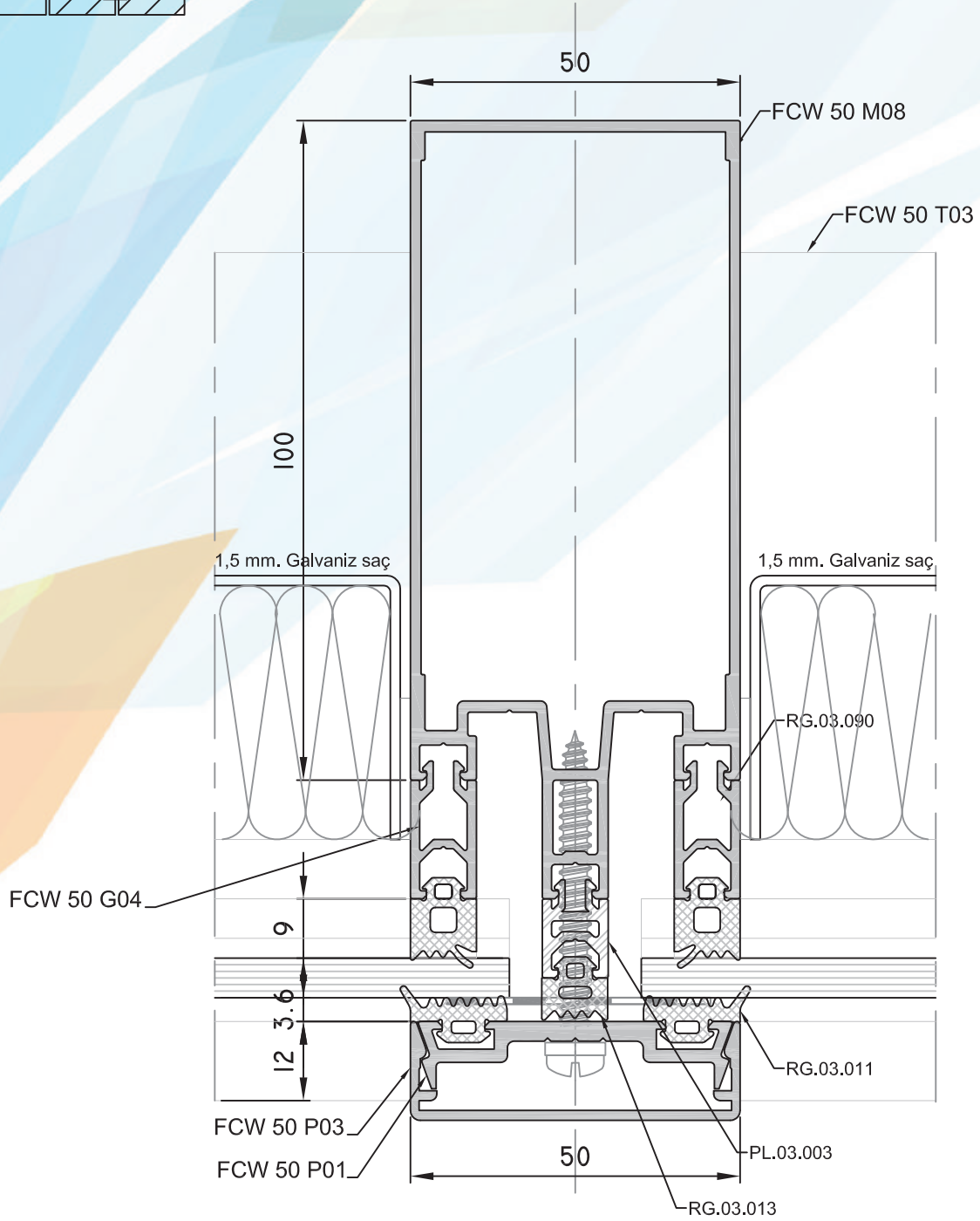


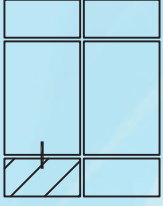
KAPAKLI CEPHE YATAY DETAYI
CURTAIN WALL HORIZONTAL DETAIL



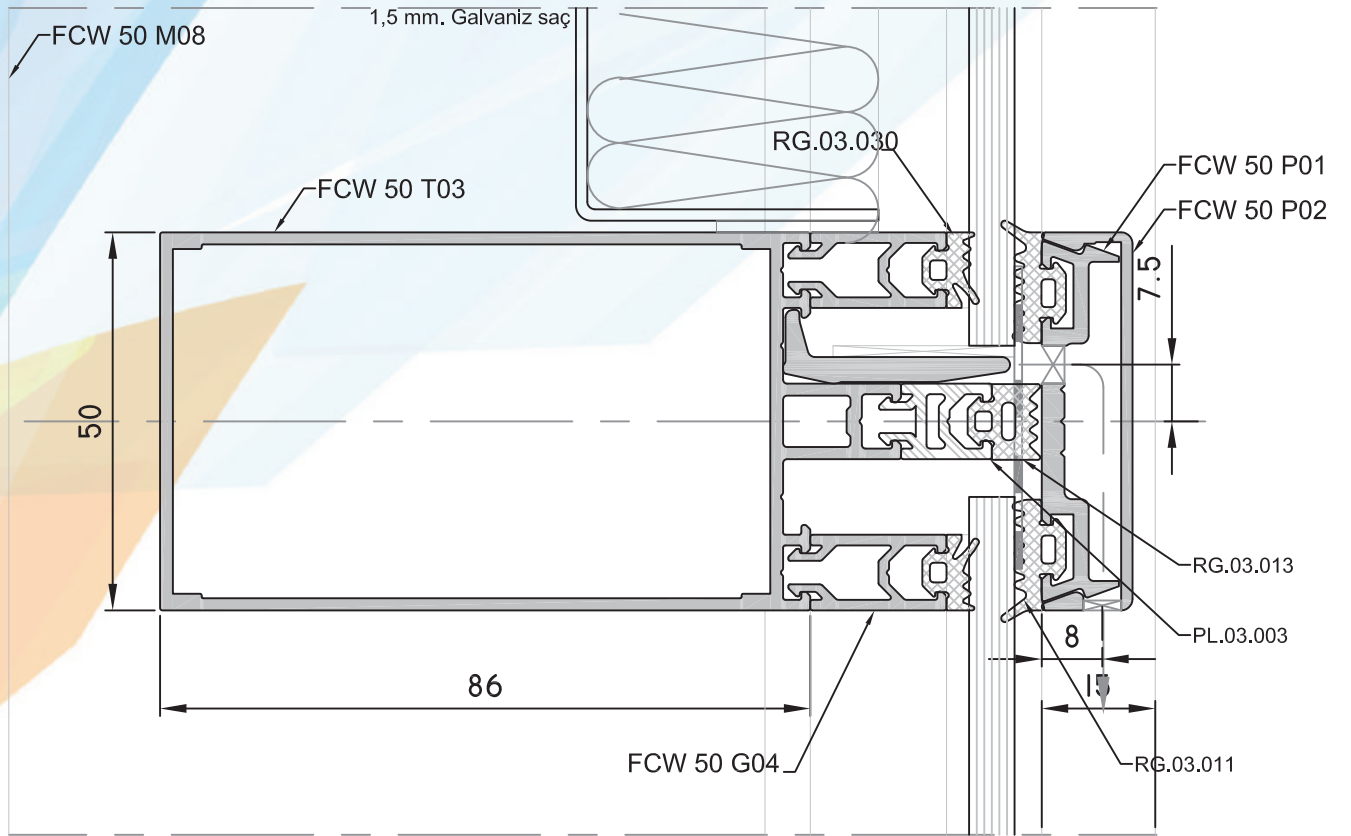


KAPAKLI CEPHE DÜŞEY KESİT SPANDREL PANEL DETAYI
SPANDREL PANEL CURTAIN WALL VERTICAL DETAIL

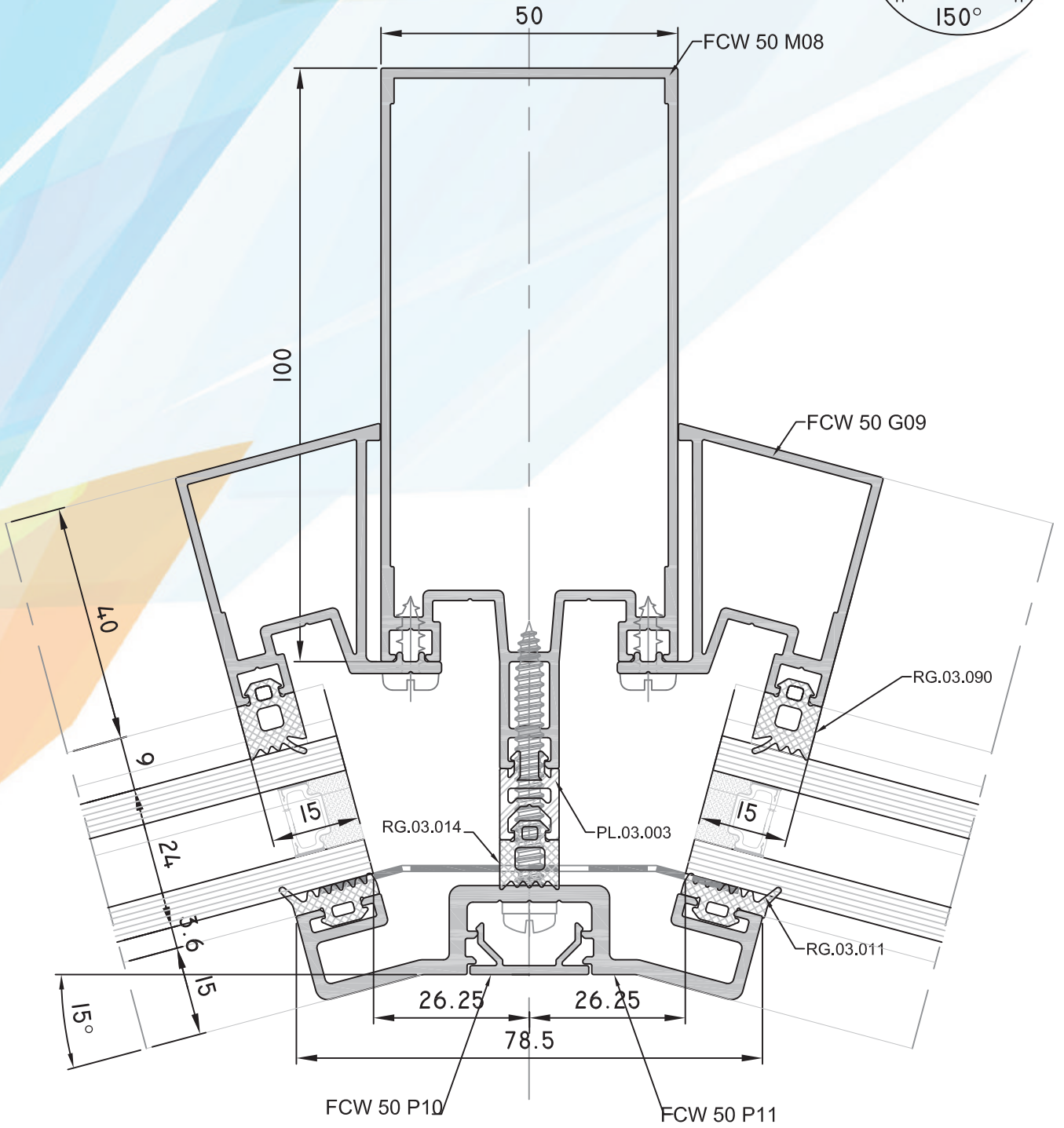
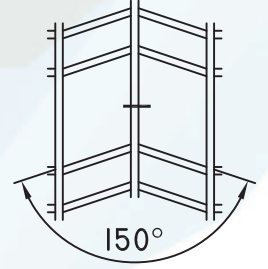




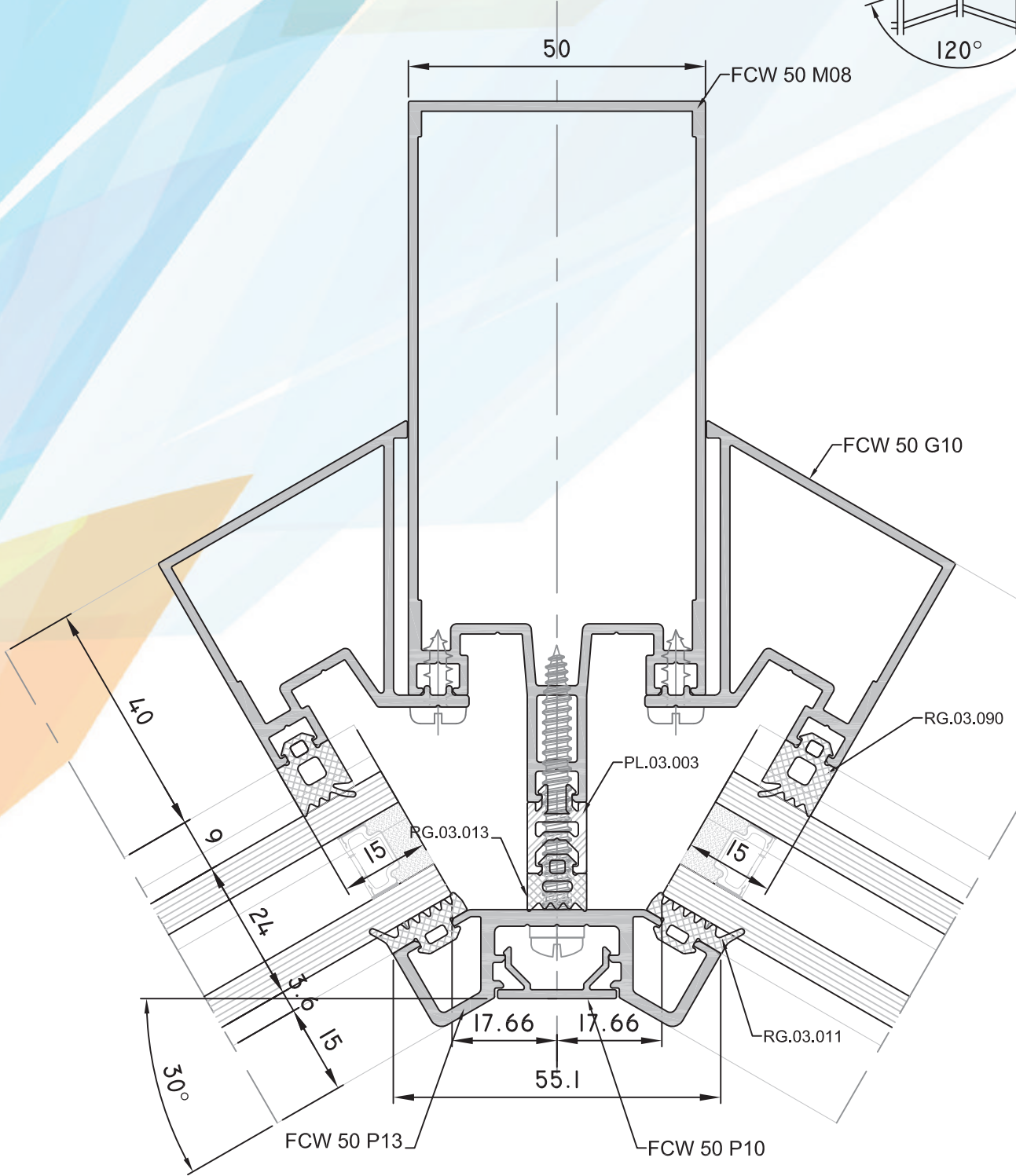
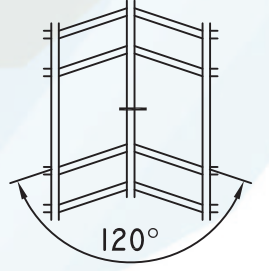
KAPAKLI CEPHE YATAY DETAYI
CURTAIN WALL HORIZONTAL DETAIL



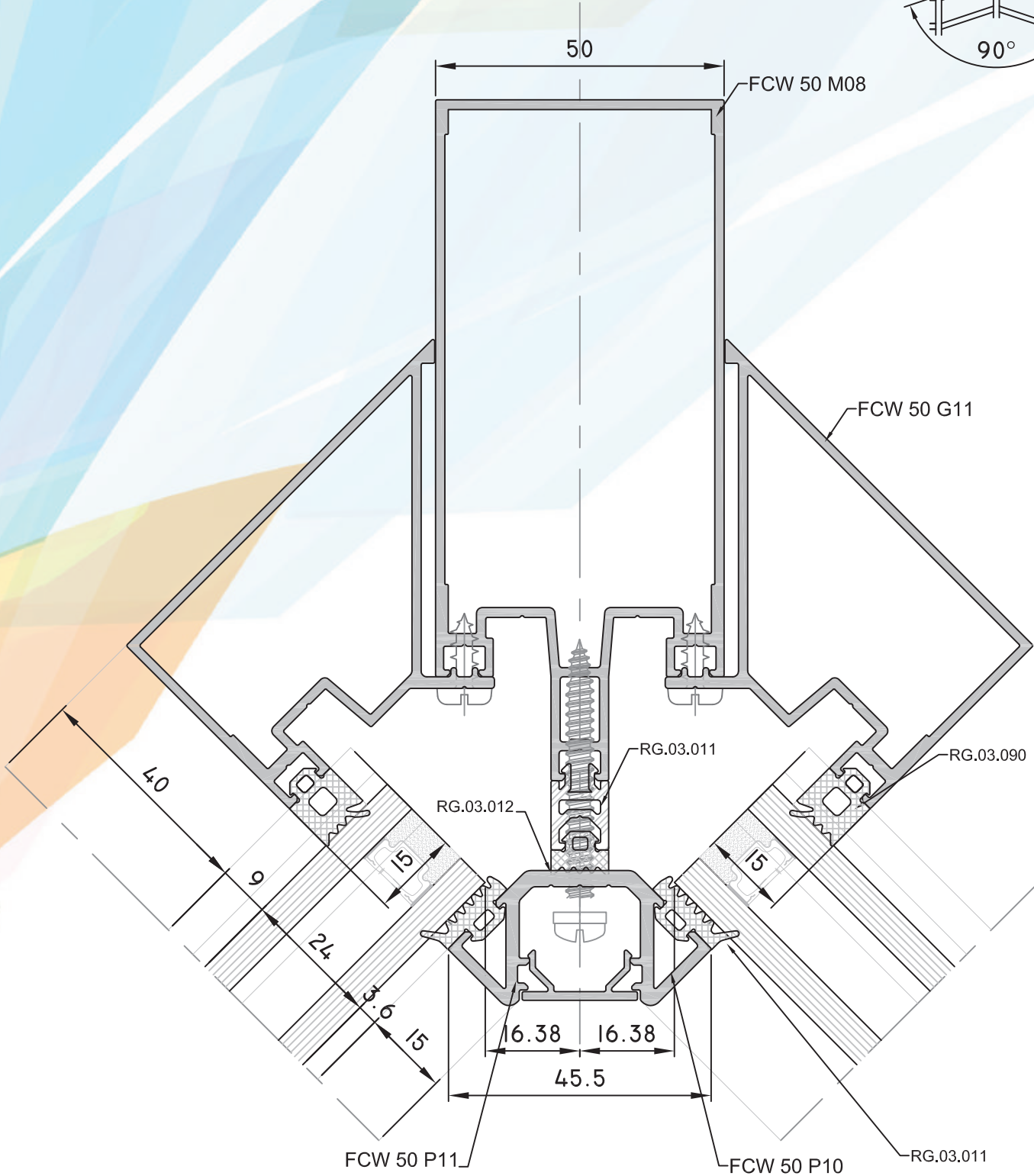
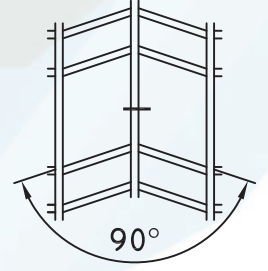
150° DIŞ AÇILI KAPAKLI CEPHE DÜŞEY DETAYI
150° ANGULAR CURTAIN WALL VERTICAL DETAIL



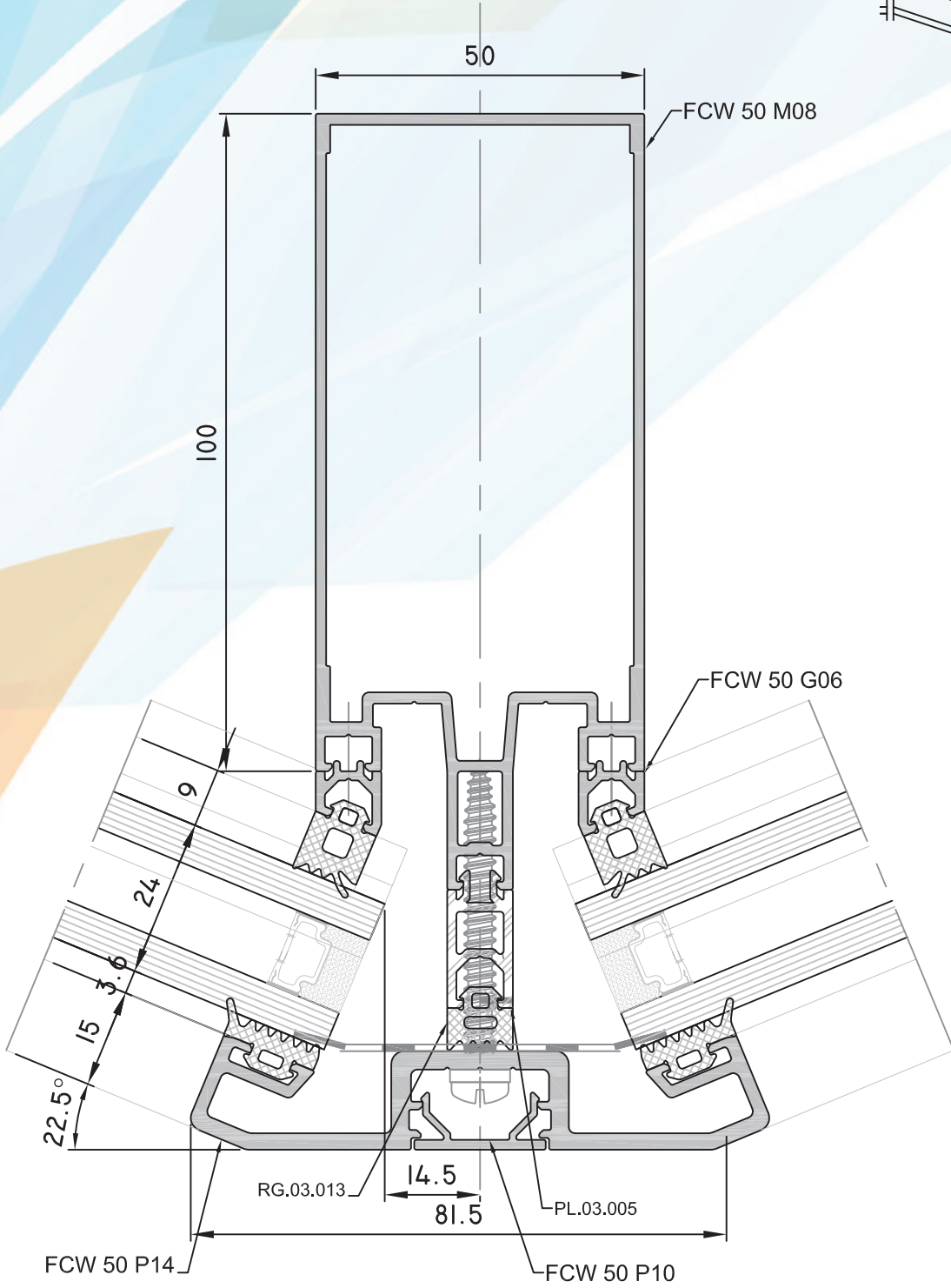
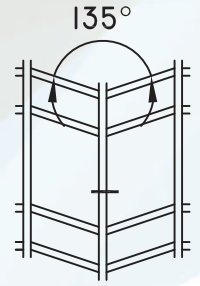
120° DIŞ AÇILI KAPAKLI CEPHE DÜŞEY DETAYI
120° ANGULAR CURTAIN WALL VERTICAL DETAIL



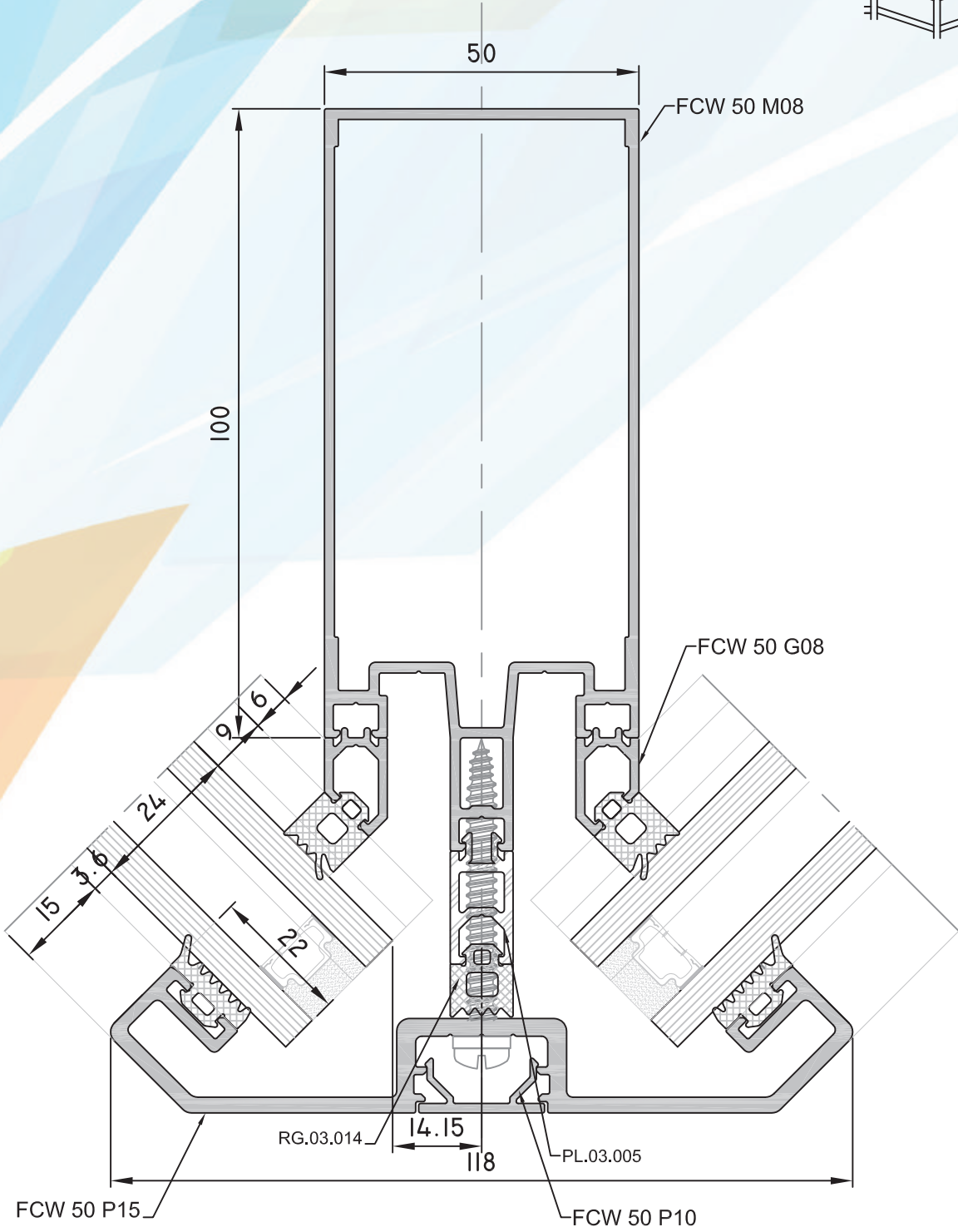
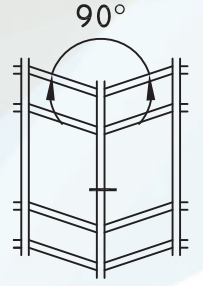
90° DIŞ AÇILI KAPAKLI CEPHE DÜŞEY DETAYI
90° ANGULAR CURTAIN WALL VERTICAL DETAIL



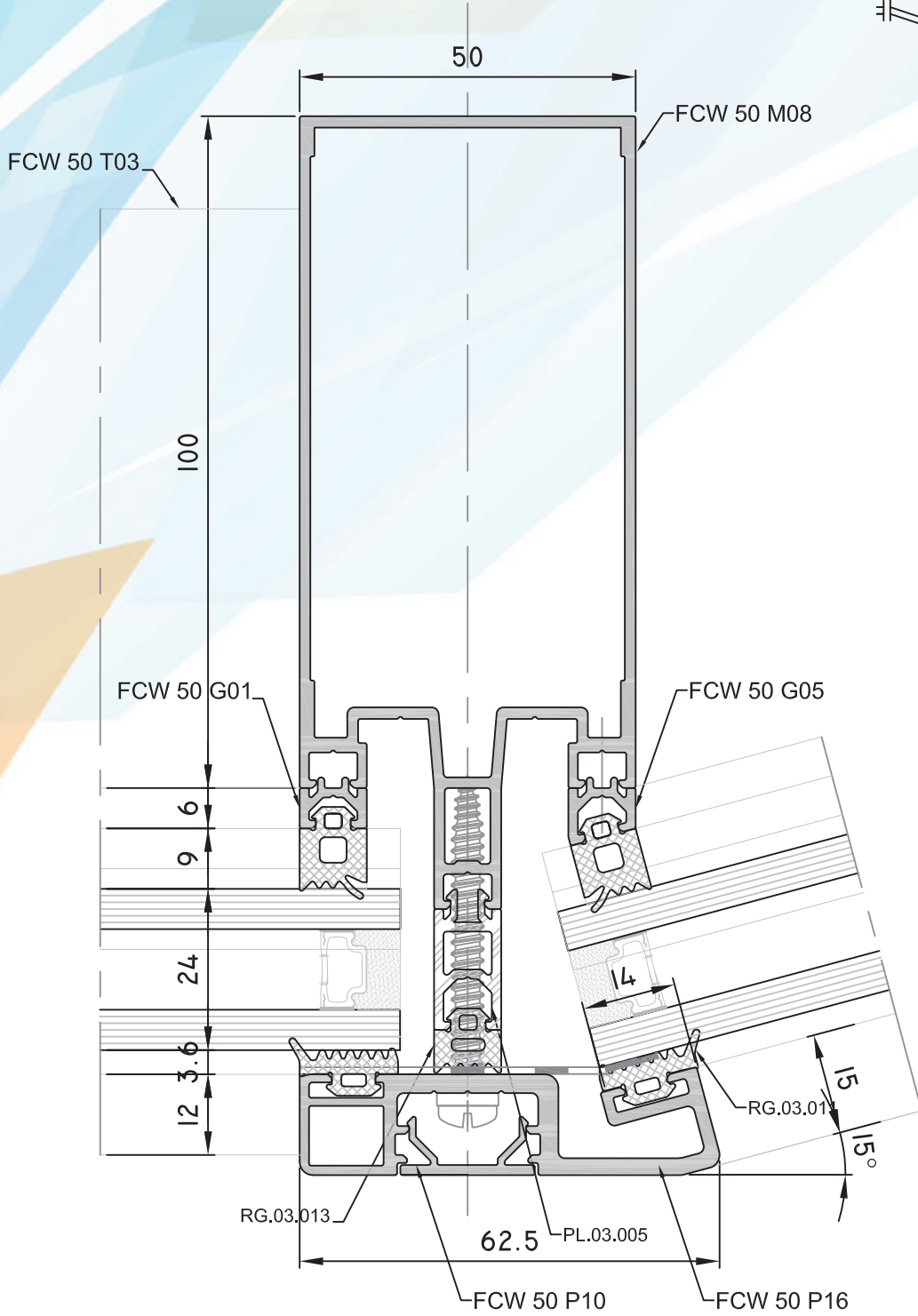
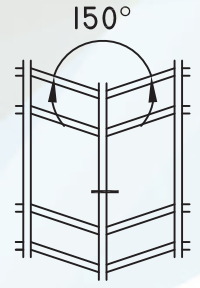
135° İÇ AÇILI KAPAKLI CEPHE DÜŞEY DETAYI
135° ANGULAR CURTAIN WALL VERTICAL DETAIL



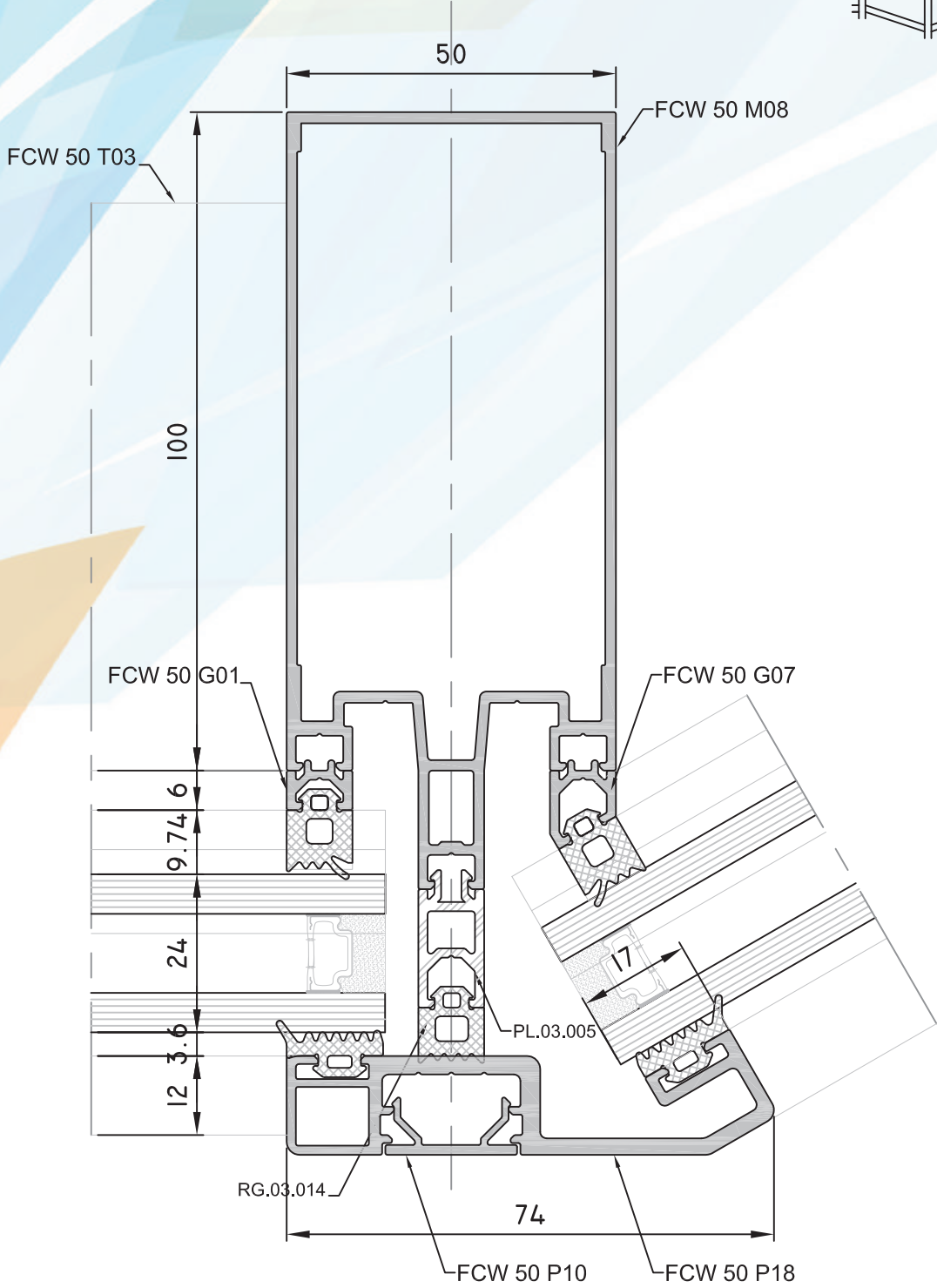
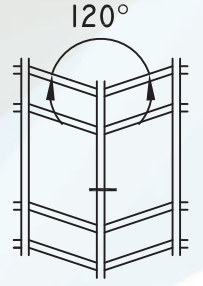
90° İÇ AÇILI KAPAKLI CEPHE DÜŞEY DETAYI
90° ANGULAR CURTAIN WALL VERTICAL DETAIL



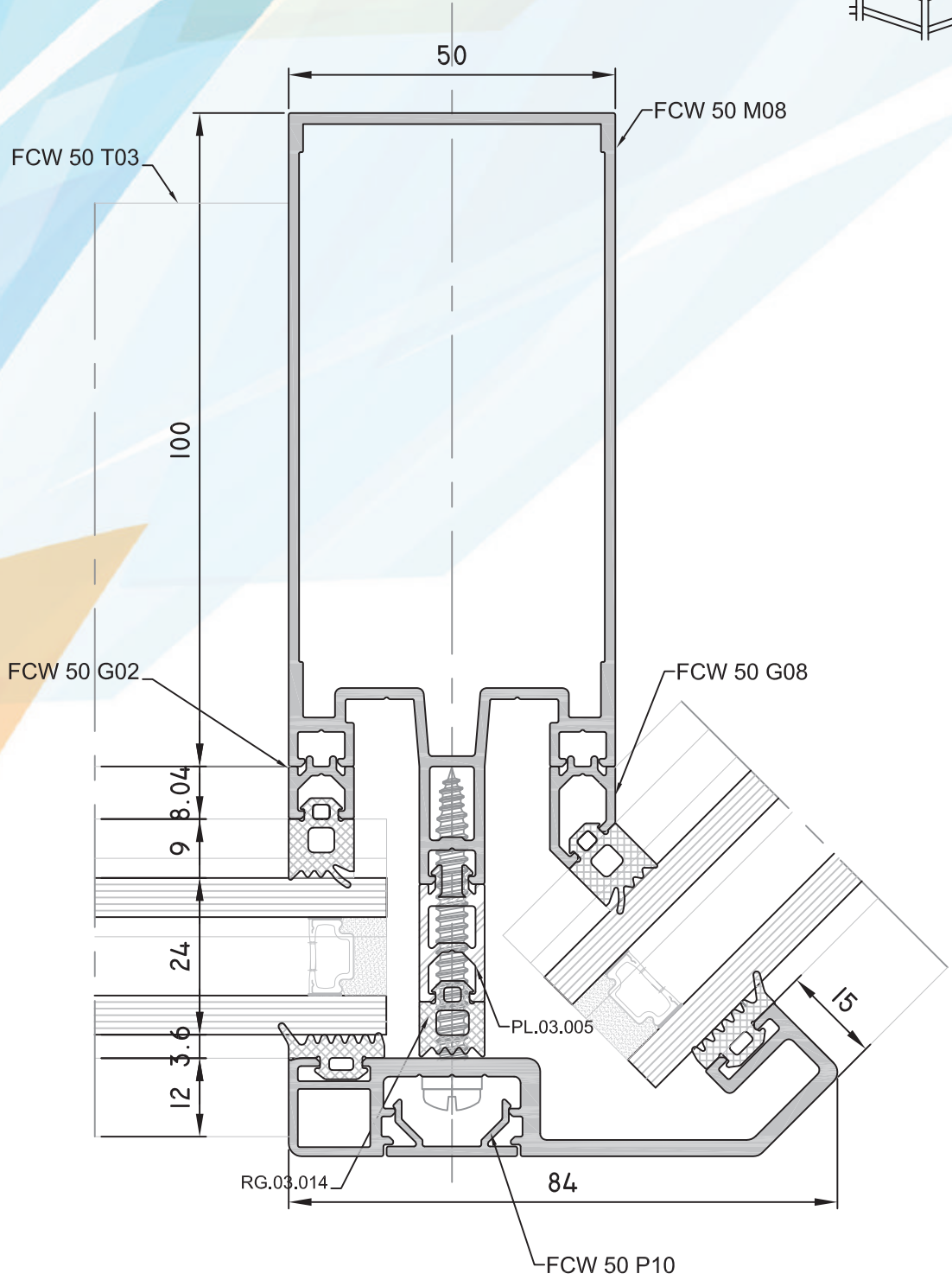
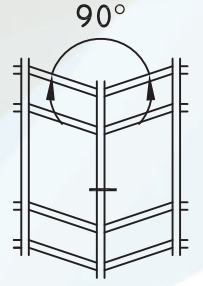
150° İÇ AÇILI KAPAKLI CEPHE DÜŞEY DETAYI
150° ANGULAR CURTAIN WALL VERTICAL DETAIL



120° İÇ AÇILI KAPAKLI CEPHE DÜŞEY DETAYI
120° ANGULAR CURTAIN WALL VERTICAL DETAIL

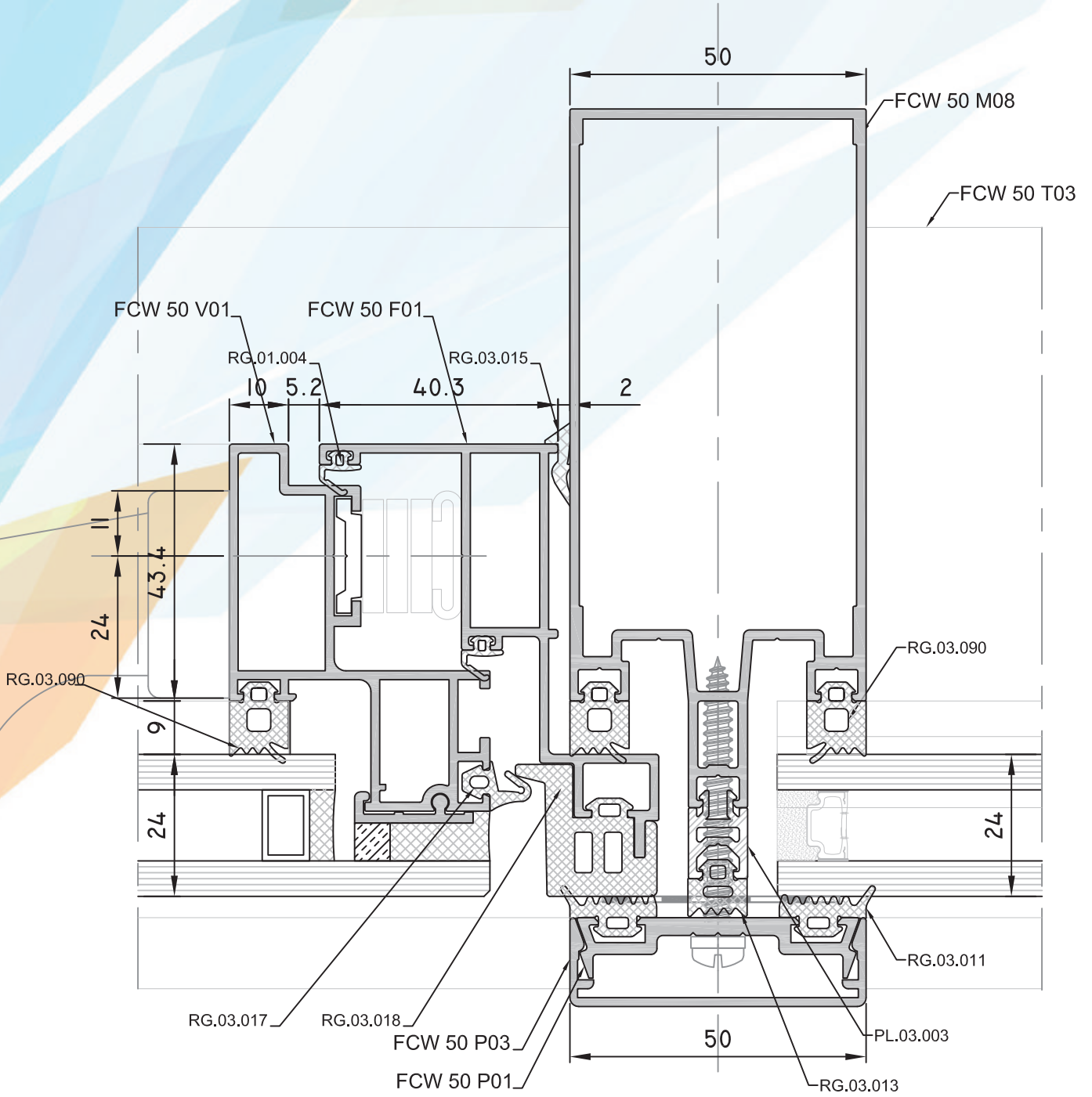


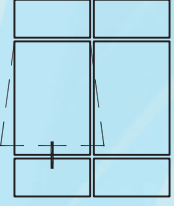
90° İÇ AÇILI KAPAKLI CEPHE DÜŞEY DETAYI
90° ANGULAR CURTAIN WALL VERTICAL DETAIL



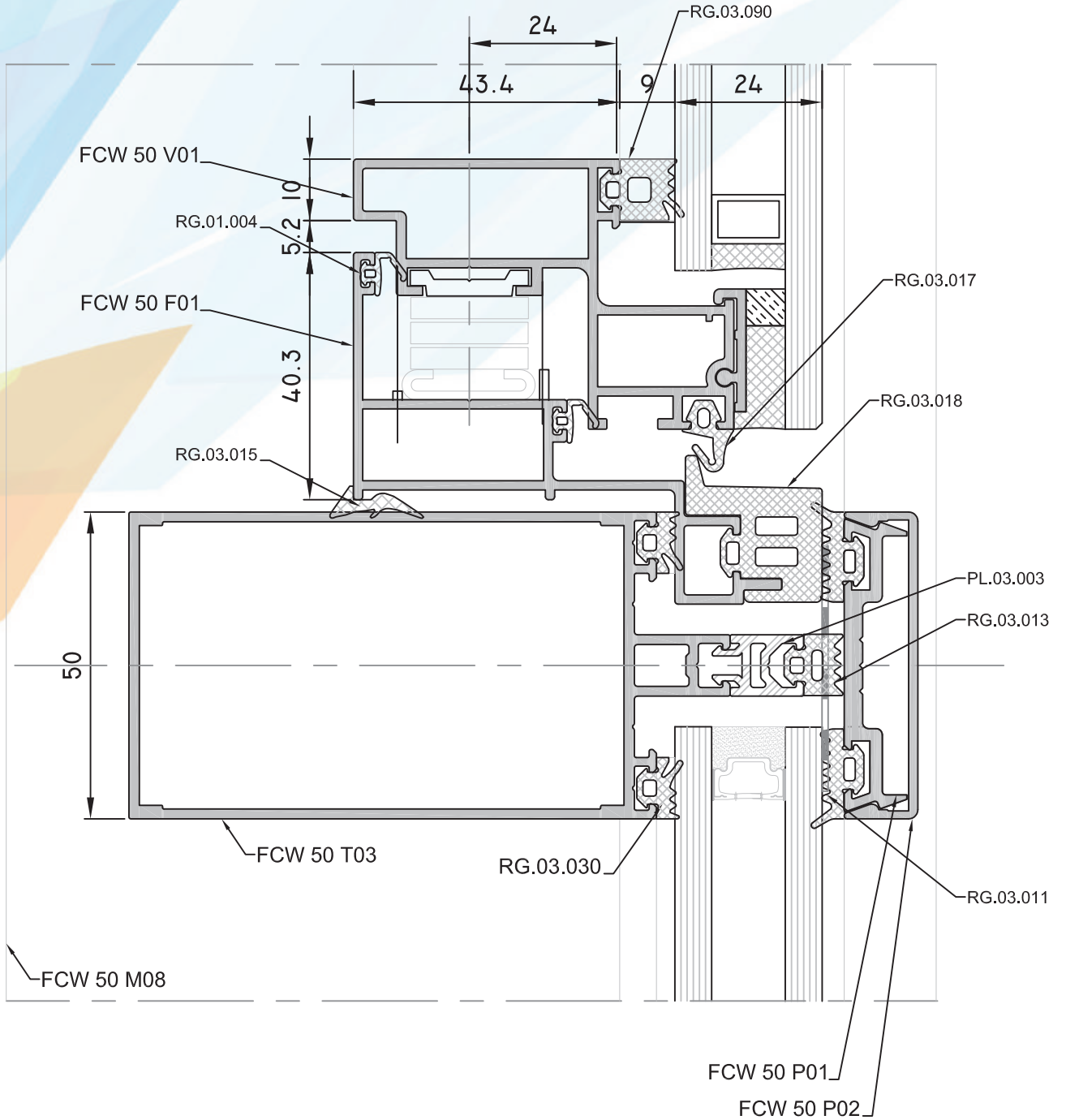


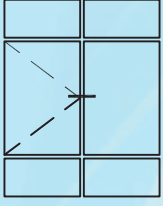
KAPAKLI CEPHE İÇERİSİNE GİZLİ KANAT DÜŞEY DETAYI
VERTICAL DETAIL OF HIDDEN VENT IN CURTAIN WALL



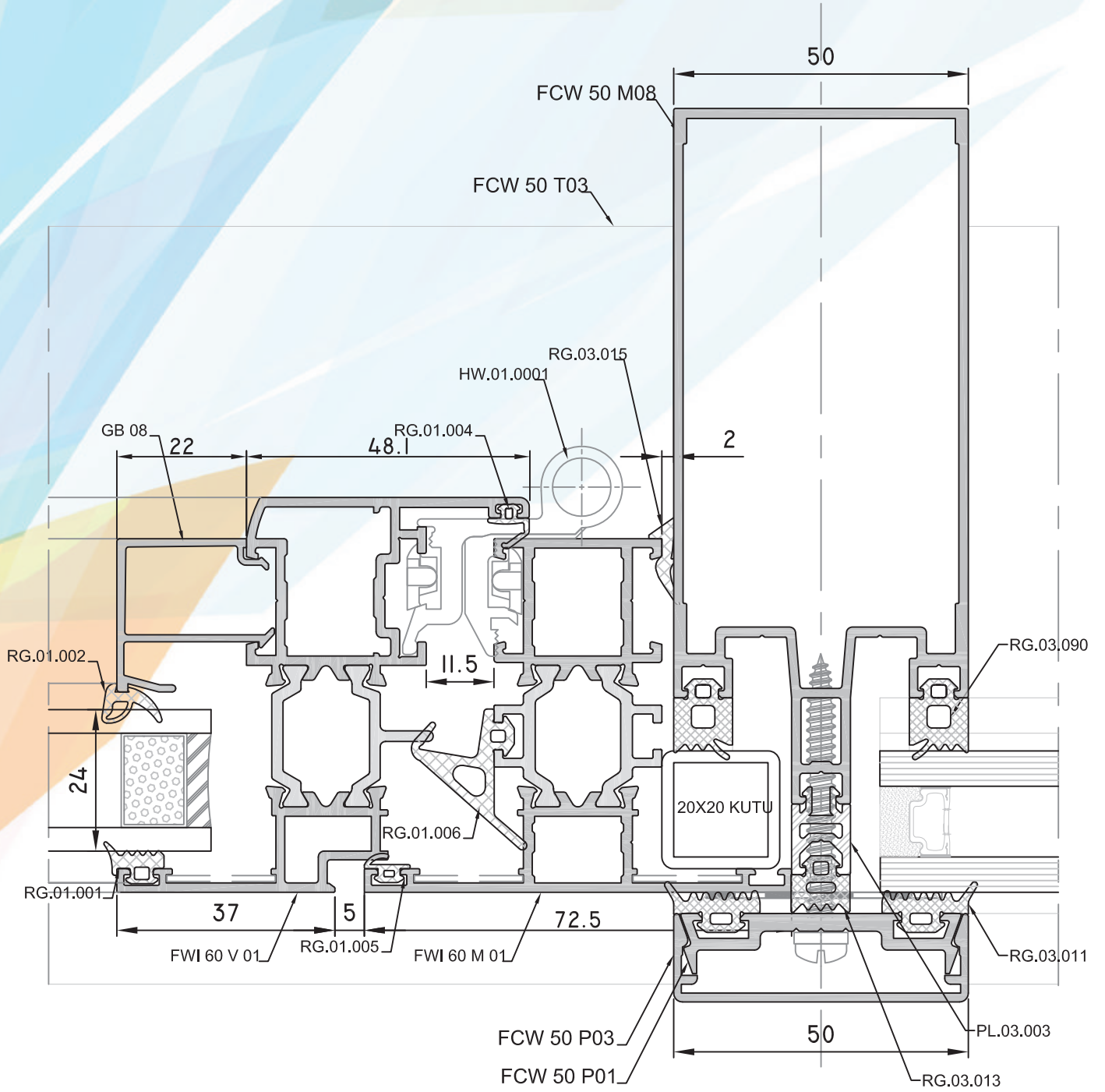


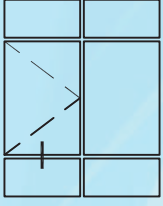
KAPAKLI CEPHE İÇERİSİNE GİZLİ KANAT YATAY DETAYI
HORIZONTAL DETAIL OF HIDDEN VENT IN CURTAIN WALL



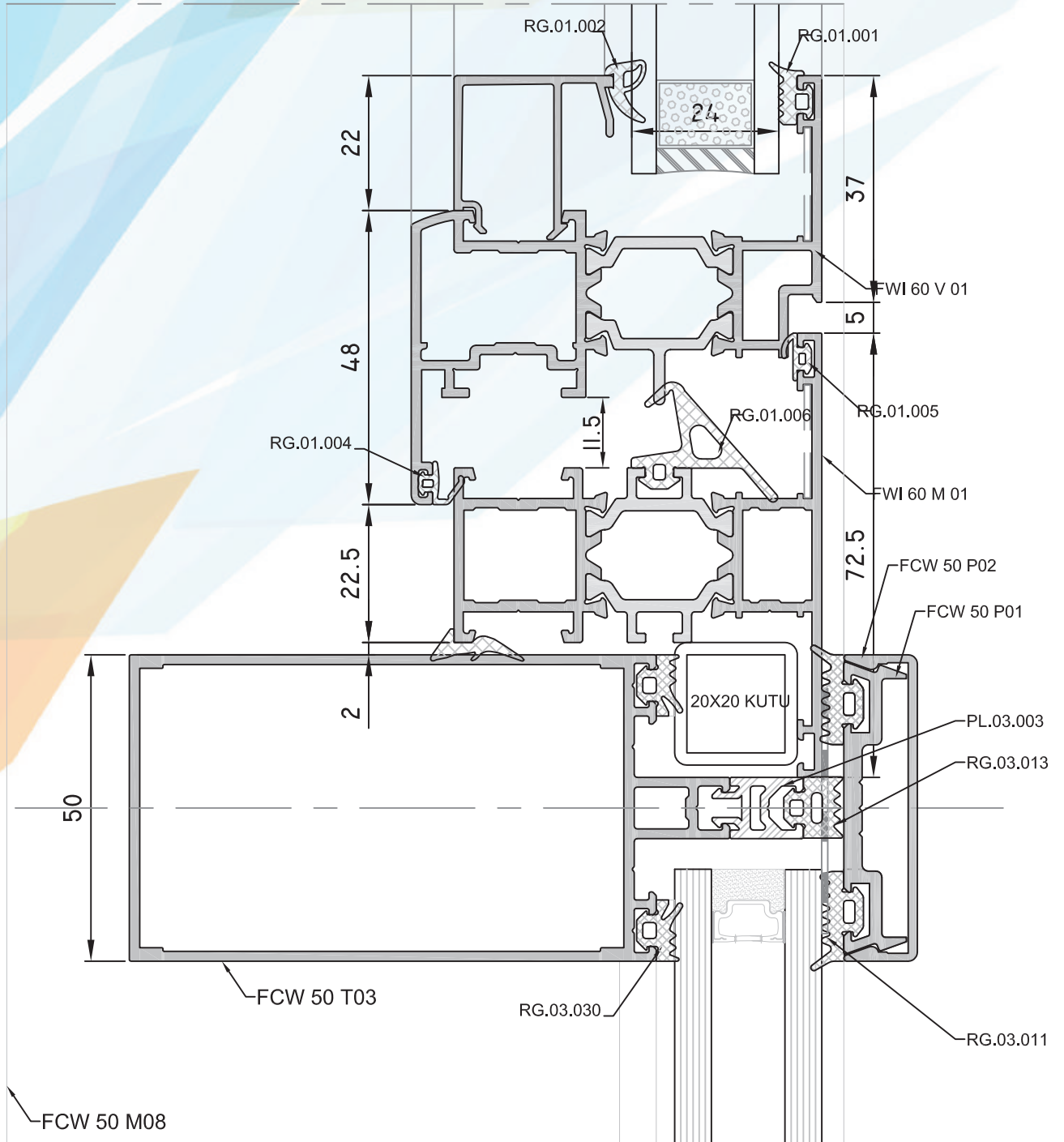


KAPAKLI CEPHE İÇERİSİNE AÇILIR KANAT DÜŞEY DETAYI
VERTICAL DETAIL OF OPENING VENT IN CURTAIN WALL

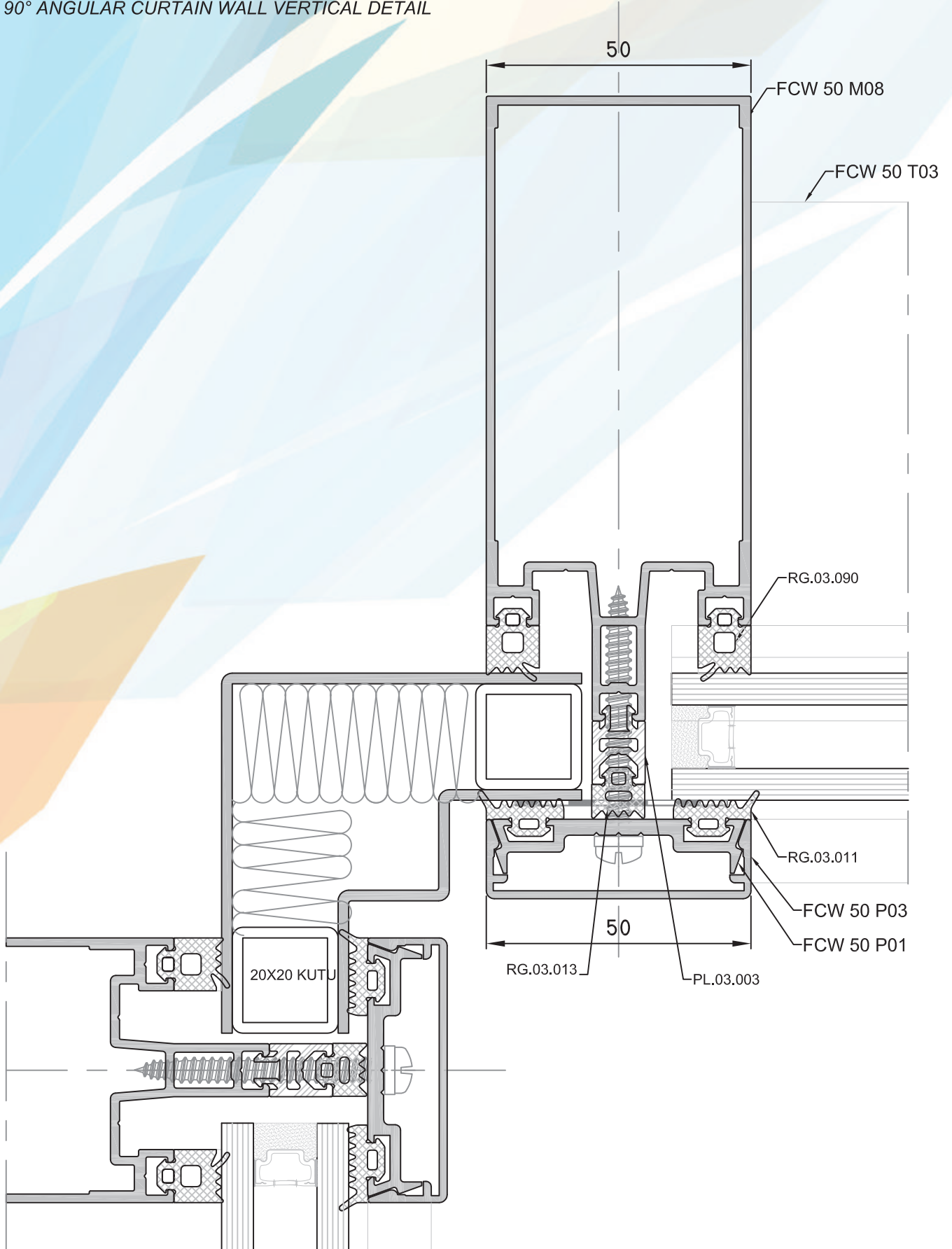




KAPAKLI CEPHE İÇERİSİNE AÇILIR KANAT YATAY DETAYI
HORIZONTAL DETAIL OF OPENING VENT IN CURTAIN WALL

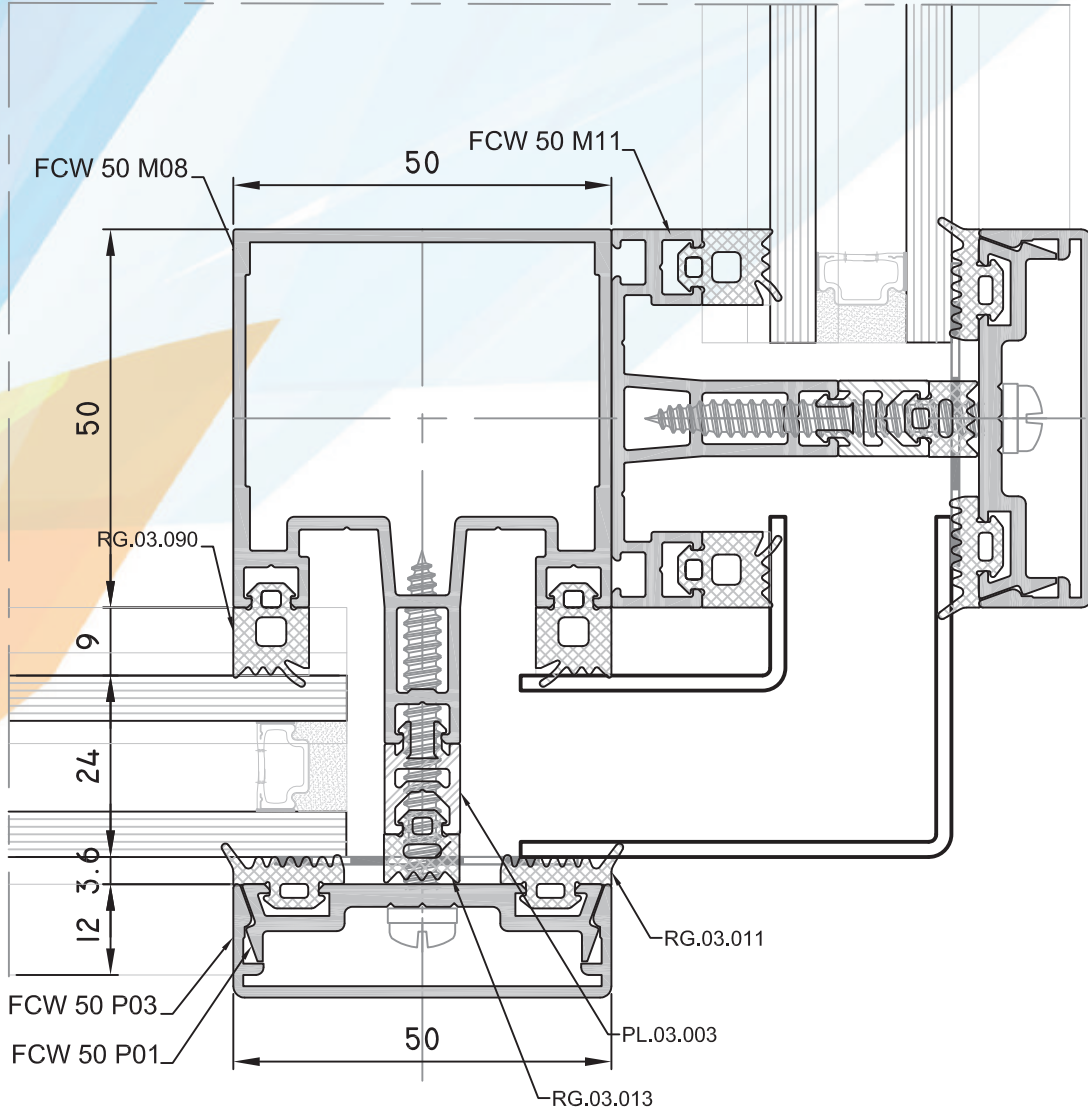


90° KÖŞE DÖNÜŞ KAPAKLI CEPHE DÜŞEY KESİT DETAYI
90° ANGULAR CURTAIN WALL VERTICAL DETAIL





KAPAKLI CEPHE DÜŞEY KESİT DETAYI
CURTAIN WALL VERTICAL DETAIL



The logo for Seral, featuring the word "seral" in a bold, blue, sans-serif font. A registered trademark symbol (®) is positioned to the upper right of the letter "l".

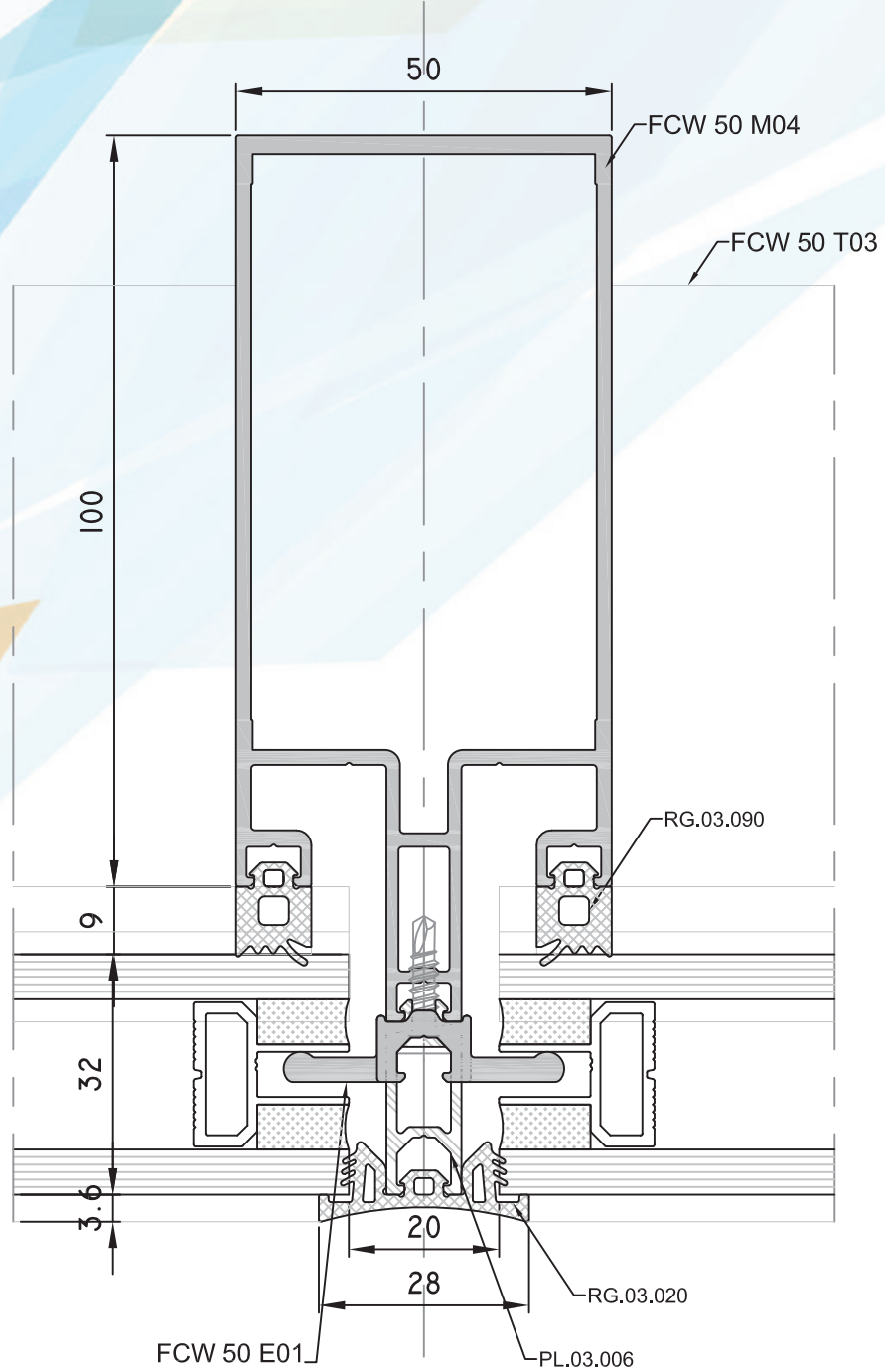
seral[®]

ALUMINIUM & STEEL

*2 mm Taşıyıcı Dikme Profilleri
(L Kondens Kanallı Tip) İle 4
Side / 2 Side Strüktürel
Silikon Cephe*

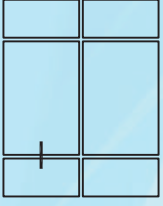


FOUR SIDE SİSTEM DÜŞEY DETAYI
FOUR SIDE VERTICAL DETAIL

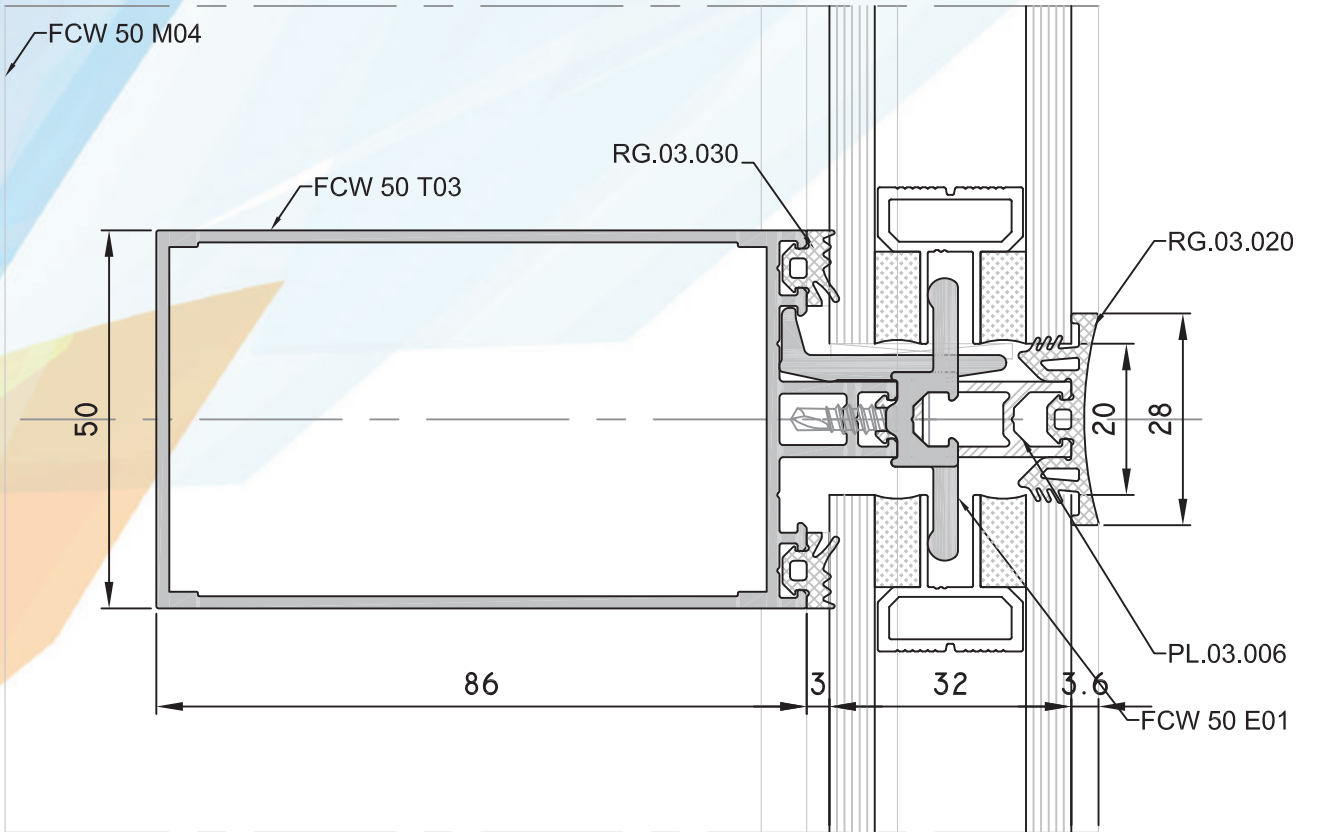


UYARI:

- Yüksekliği 10 metreye kadar olan binalarda uygulanmalıdır.
- Silikonlu kenarın 1m'den yüksek yarı kapaklı cephelerde cam içi bağlantı sisteminin uygulanması şarttır.

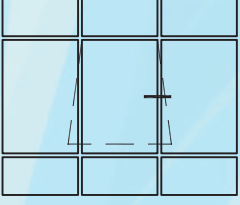


FOUR SIDE SİSTEM YATAY DETAYI
FOUR SIDE HORIZONTAL DETAIL

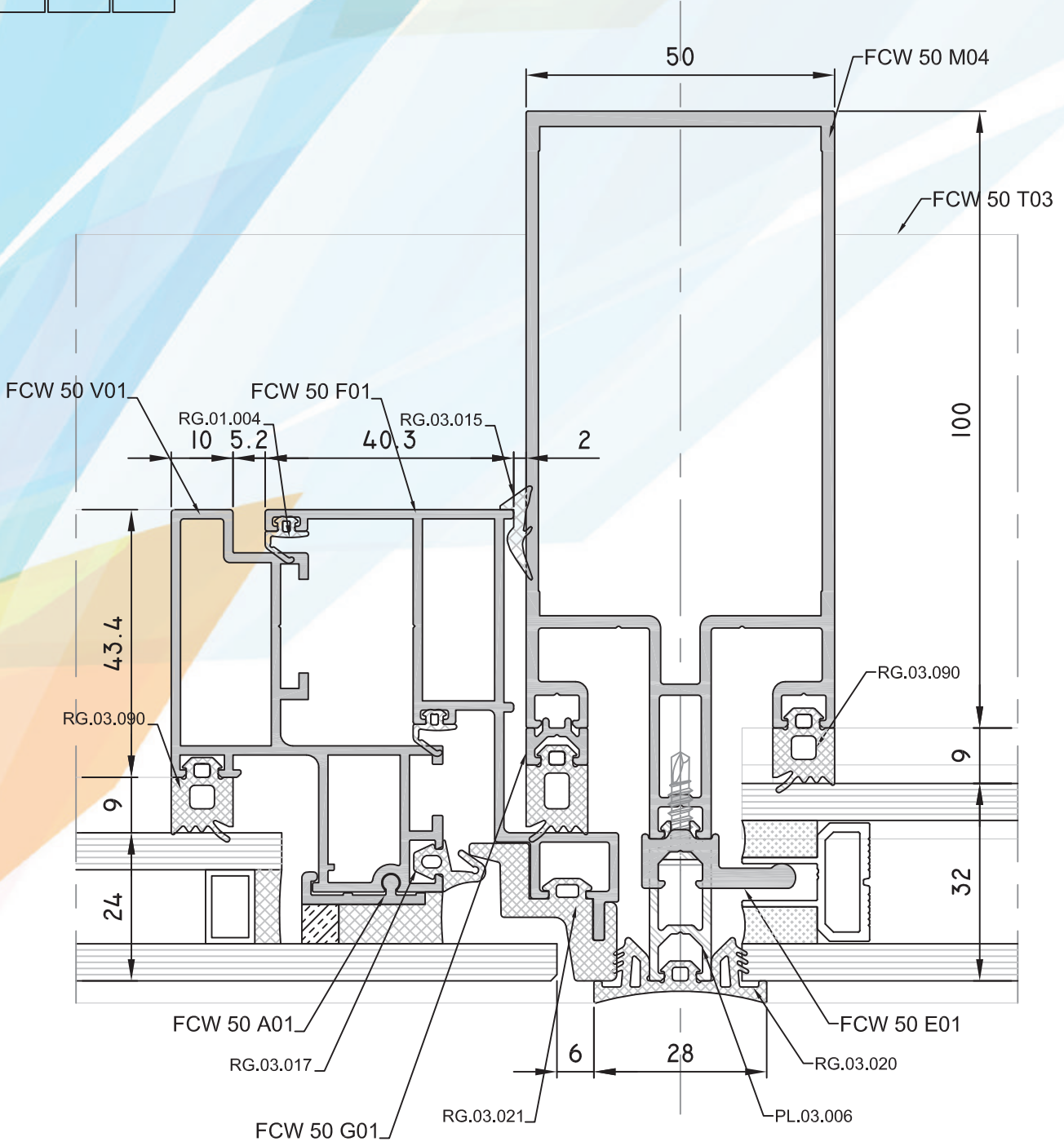


UYARI:

- Yüksekliği 10 metreye kadar olan binalarda uygulanmalıdır.
- Silikonlu kenarın 1m'den yüksek yarı kapaklı cephelerde cam içi bağlantı sisteminin uygulanması şarttır.

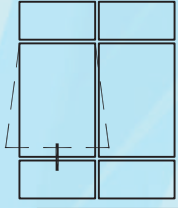


TWO SIDE SİSTEM DÜŞEY SİLİKON YATAY SİLİKON AÇILIR DÜŞEY DETAYI
TWO SIDE VERTICAL DETAIL

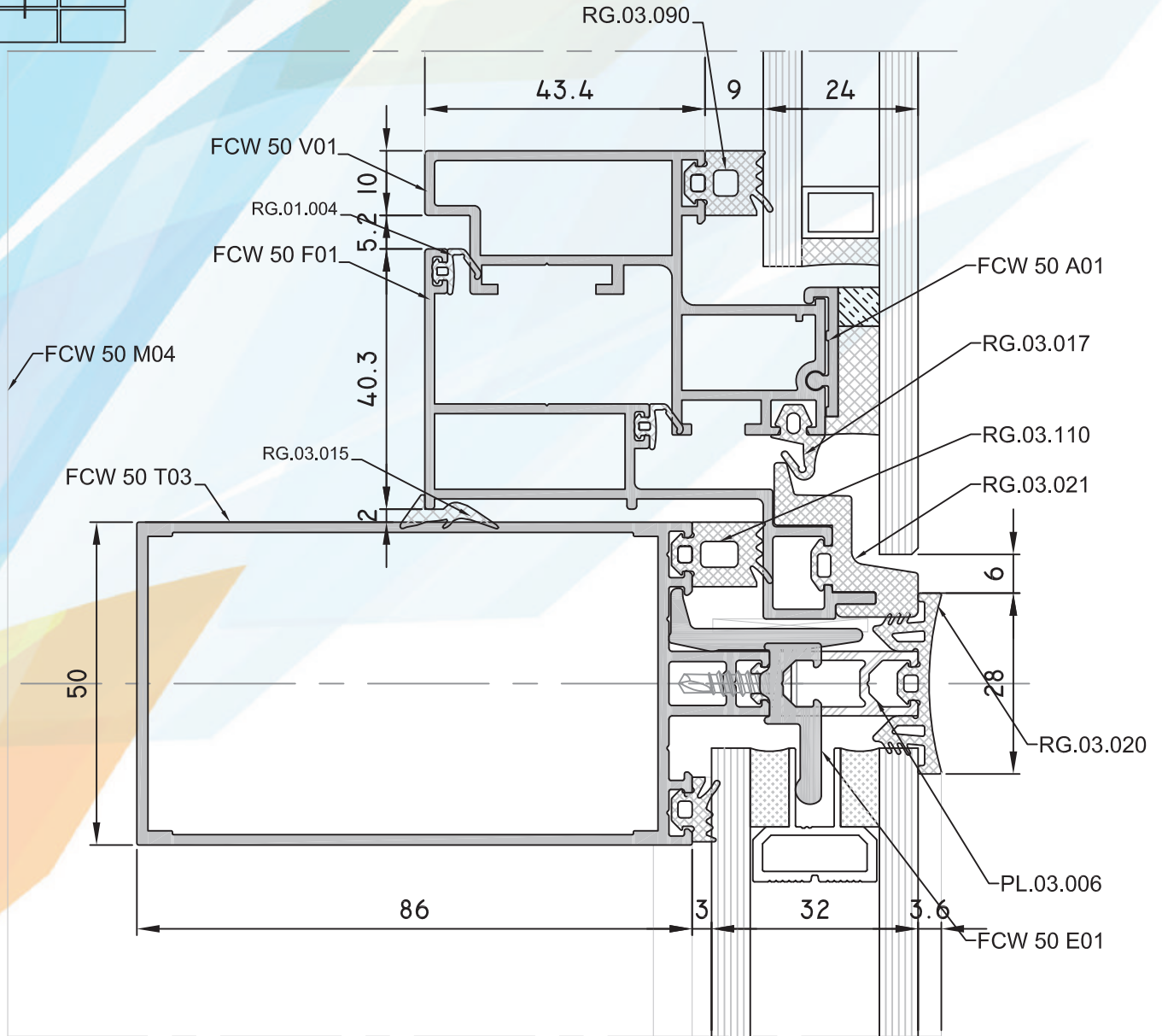


UYARI:

- Yüksekliği 10 metreye kadar olan binalarda uygulanmalıdır.
- Silikonlu kenarın 1m'den yüksek yarı kapaklı cephelerde cam içi bağlantı sisteminin uygulanması şarttır.

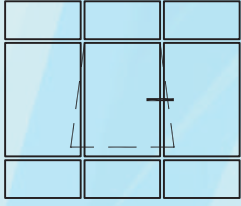


TWO SIDE SİSTEM DÜŞEY SİLİKON YATAY SİLİKON AÇILIR YATAY DETAYI
TWO SIDE HORIZONTAL DETAIL

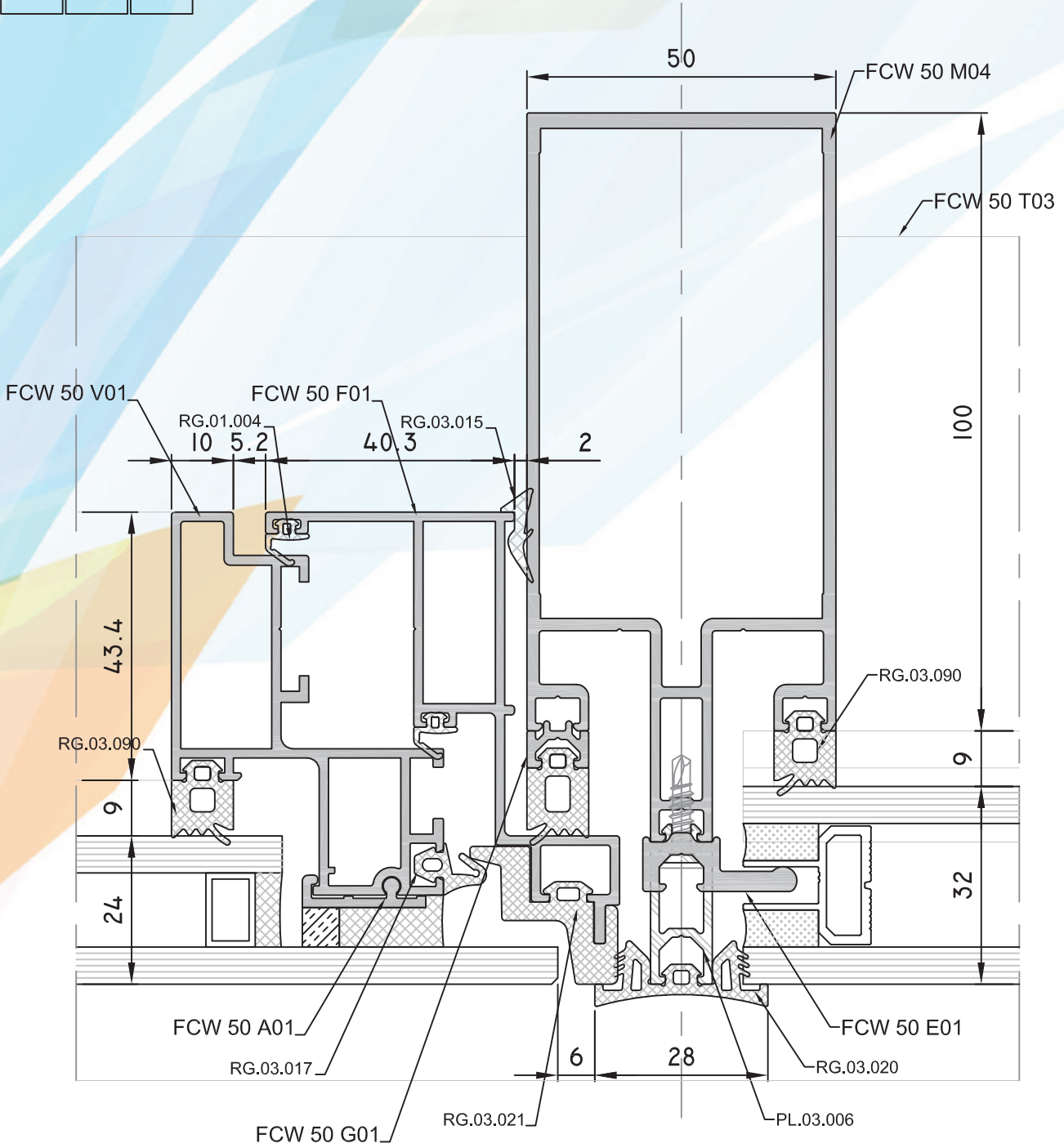


UYARI:

- Yüksekliği 10 metreye kadar olan binalarda uygulanmalıdır.
- Silikonlu kenarın 1m'den yüksek yarı kapaklı cephelerde cam içi bağlantı sisteminin uygulanması şarttır.

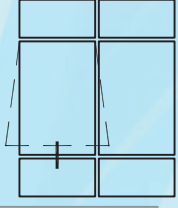


TWO SIDE SİSTEM DÜŞEY SİLİKON YATAY KAPAKLI AÇILIR DÜŞEY DETAYI
TWO SIDE VERTICAL DETAIL

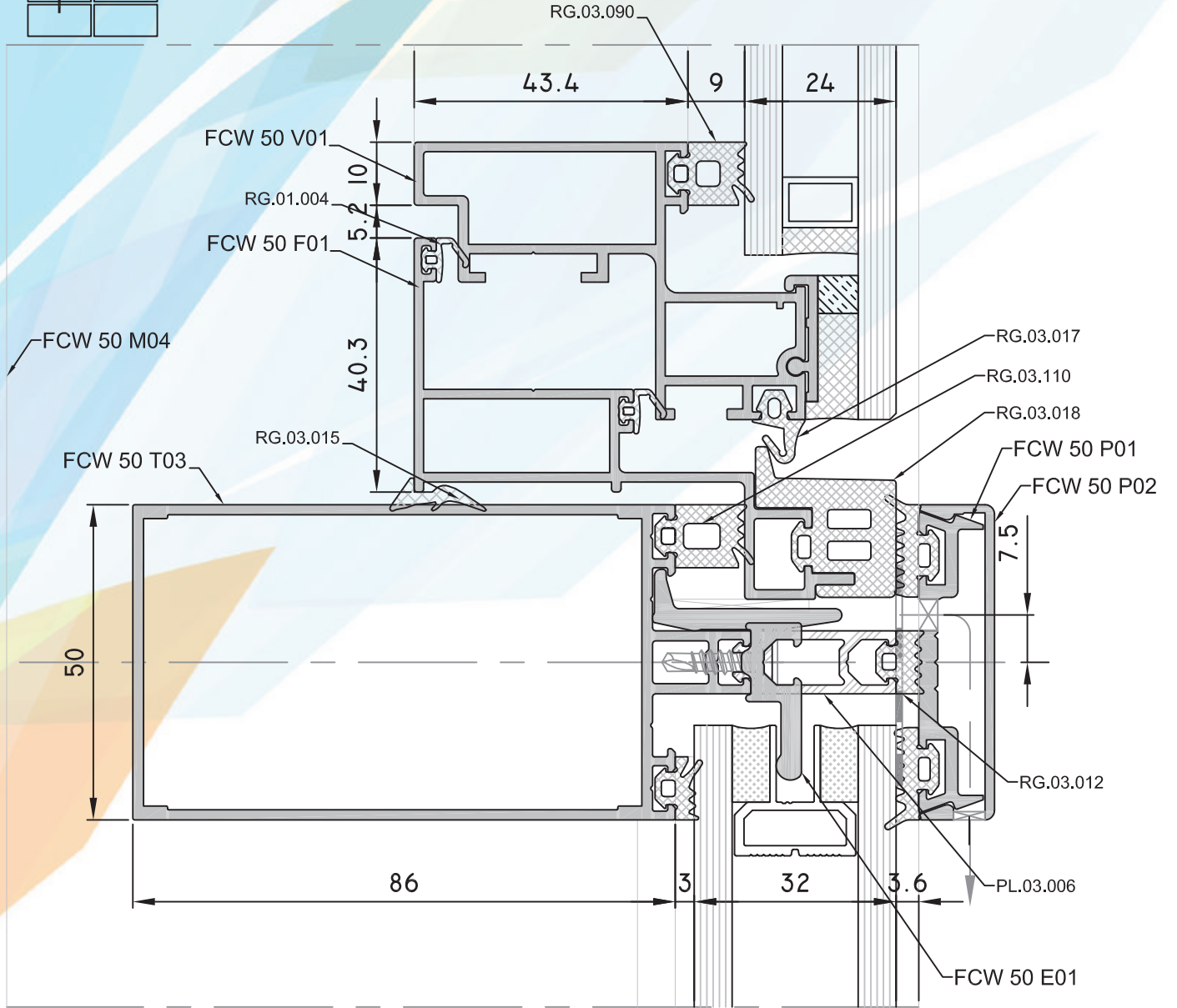


UYARI:

- Yüksekliği 10 metreye kadar olan binalarda uygulanmalıdır.
- Silikonlu kenarın 1m'den yüksek yarı kapaklı cephelerde cam içi bağlantı sisteminin uygulanması şarttır.

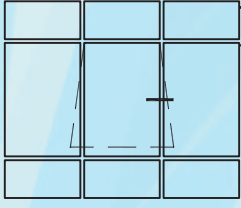


TWO SIDE SİSTEM DÜŞEY SİLİKON YATAY KAPAKLI AÇILIR DÜŞEY DETAYI
TWO SIDE HORIZONTAL DETAIL

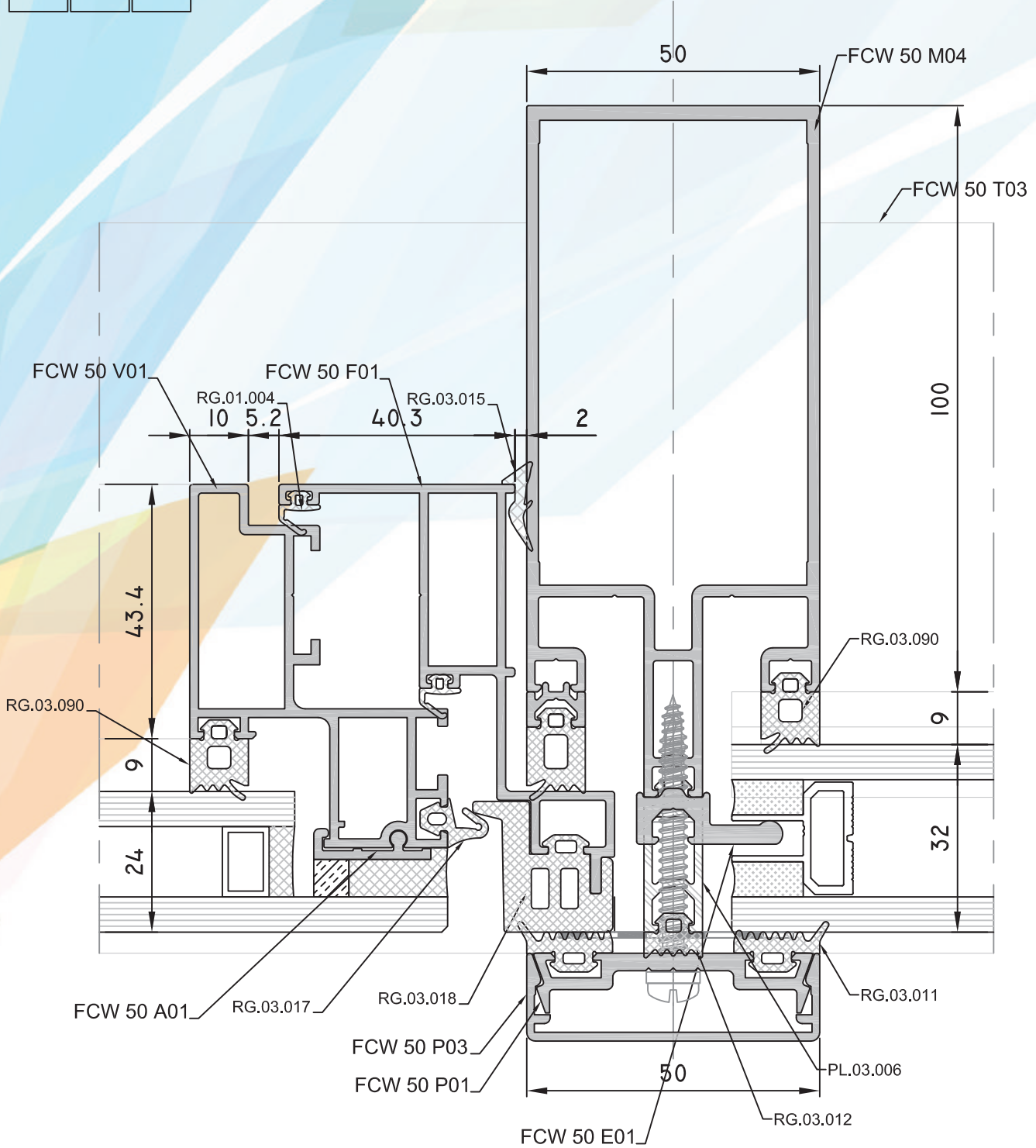


UYARI:

- Yüksekliği 10 metreye kadar olan binalarda uygulanmalıdır.
- Silikonlu kenarın 1m'den yüksek yarı kapaklı cephelerde cam içi bağlantı sisteminin uygulanması şarttır.

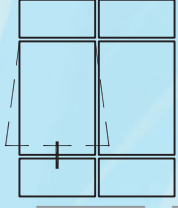


TWO SIDE SİSTEM DÜŞEY SİLİKON YATAY SİLİKON AÇILIR DÜŞEY DETAYI
TWO SIDE VERTICAL DETAIL

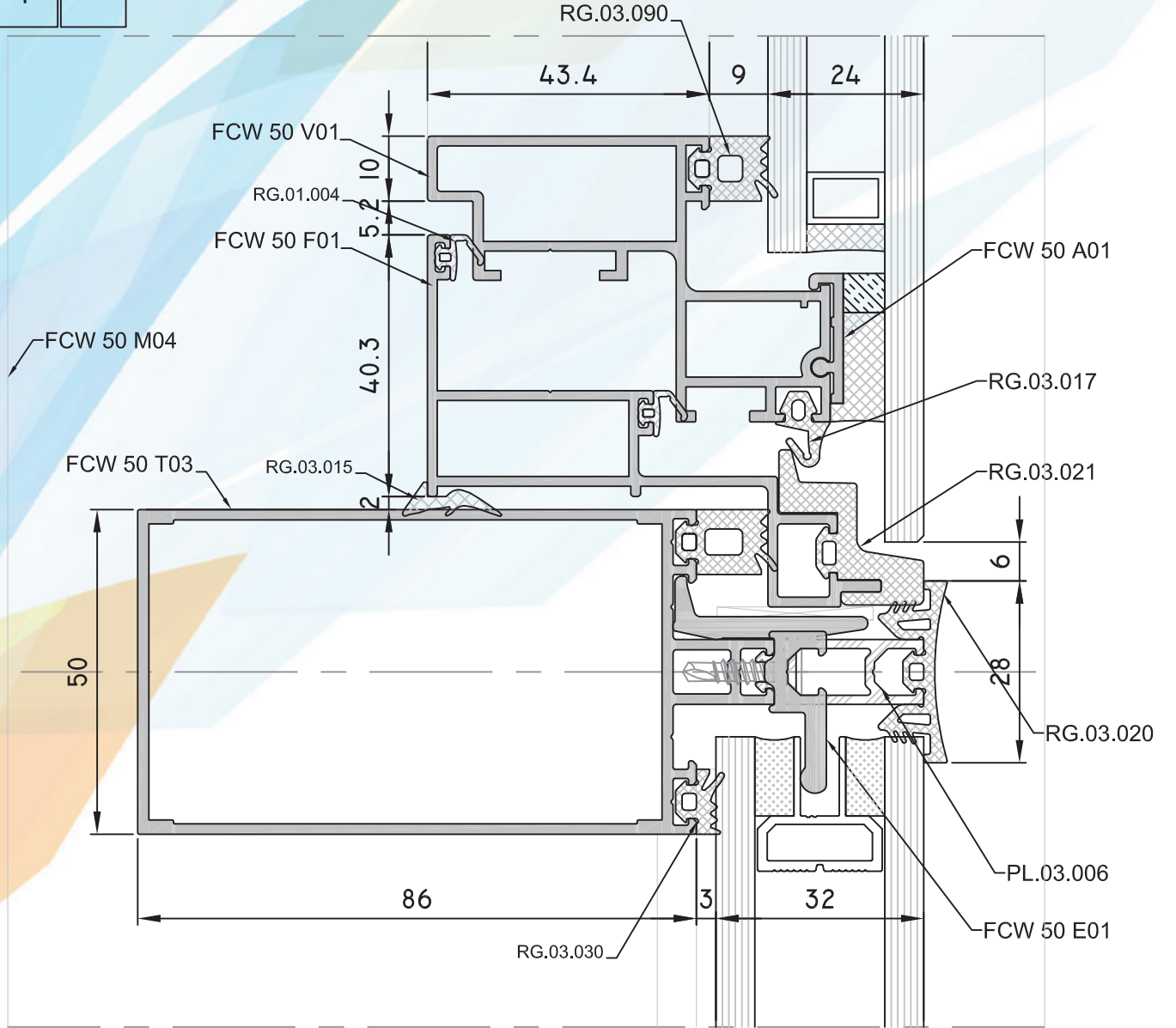


UYARI:

- Yüksekliği 10 metreye kadar olan binalarda uygulanmalıdır.
- Silikonlu kenarın 1m'den yüksek yarı kapaklı cephelerde cam içi bağlantı sisteminin uygulanması şarttır.



TWO SIDE SİSTEM DÜŞEY SİLİKON YATAY SİLİKON AÇILIR DÜŞEY DETAYI
TWO SIDE HORIZONTAL DETAIL

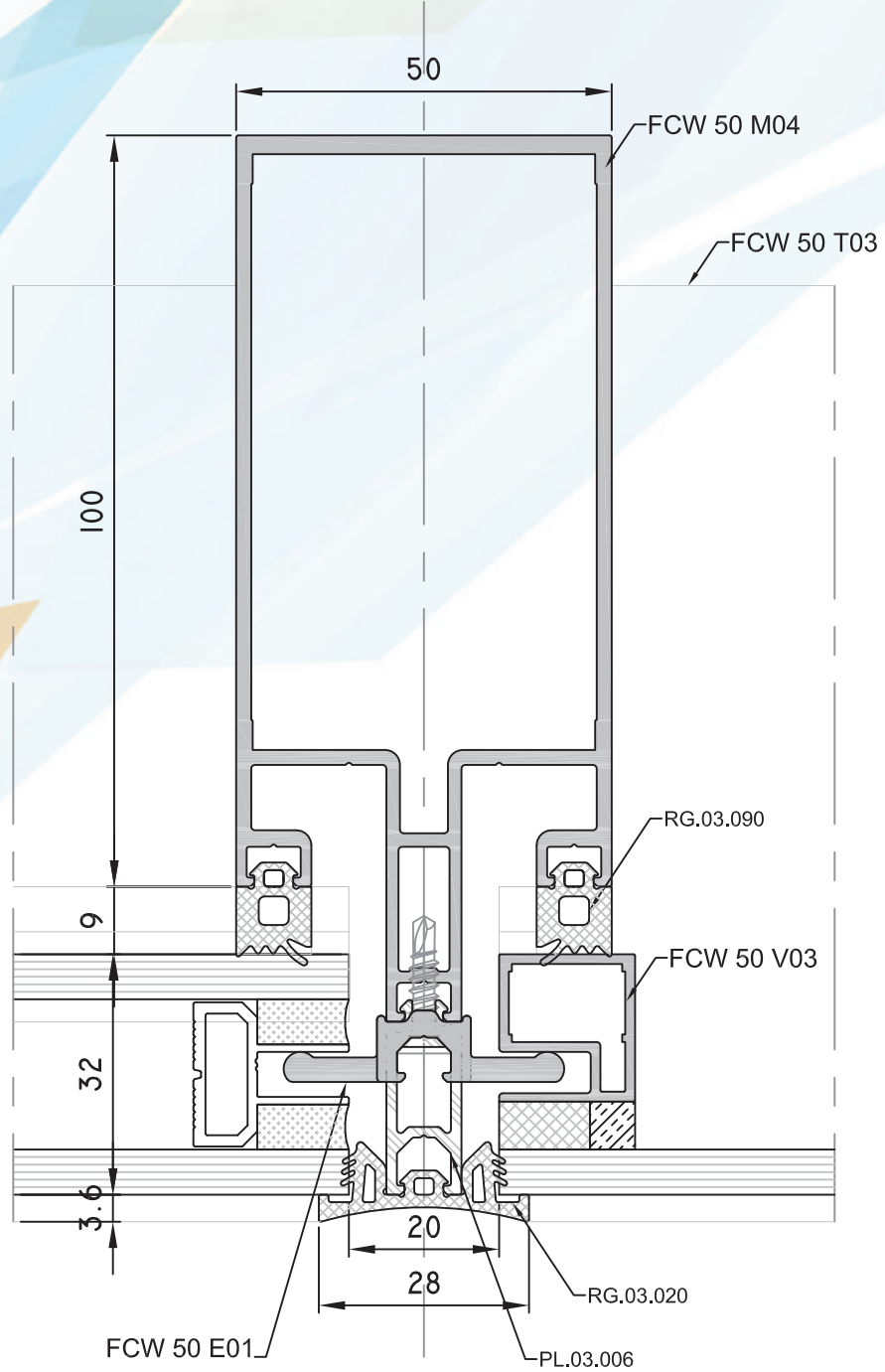


UYARI:

- Yüksekliği 10 metreye kadar olan binalarda uygulanmalıdır.
- Silikonlu kenarın 1m'den yüksek yarı kapaklı cephelerde cam içi bağlantı sisteminin uygulanması şarttır.

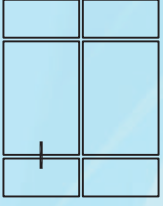


FOUR SIDE SİSTEM DÜŞEY DETAYI
FOUR SIDE VERTICAL DETAIL

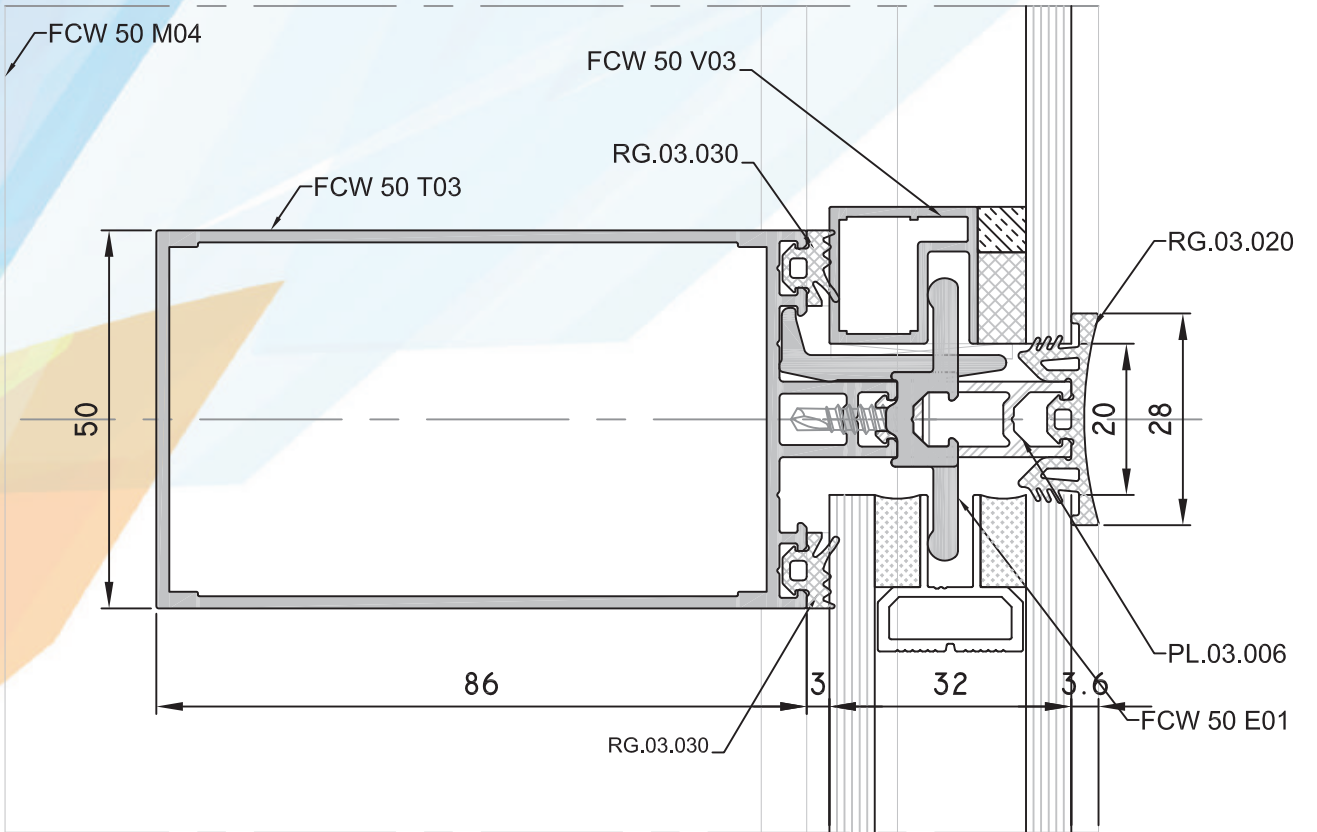


UYARI:

- Yüksekliği 10 metreye kadar olan binalarda uygulanmalıdır.
- Silikonlu kenarın 1m'den yüksek yarı kapaklı cephelerde cam içi bağlantı sisteminin uygulanması şarttır.



FOUR SIDE SİSTEM YATAY DETAYI
FOUR SIDE HORIZONTAL DETAIL

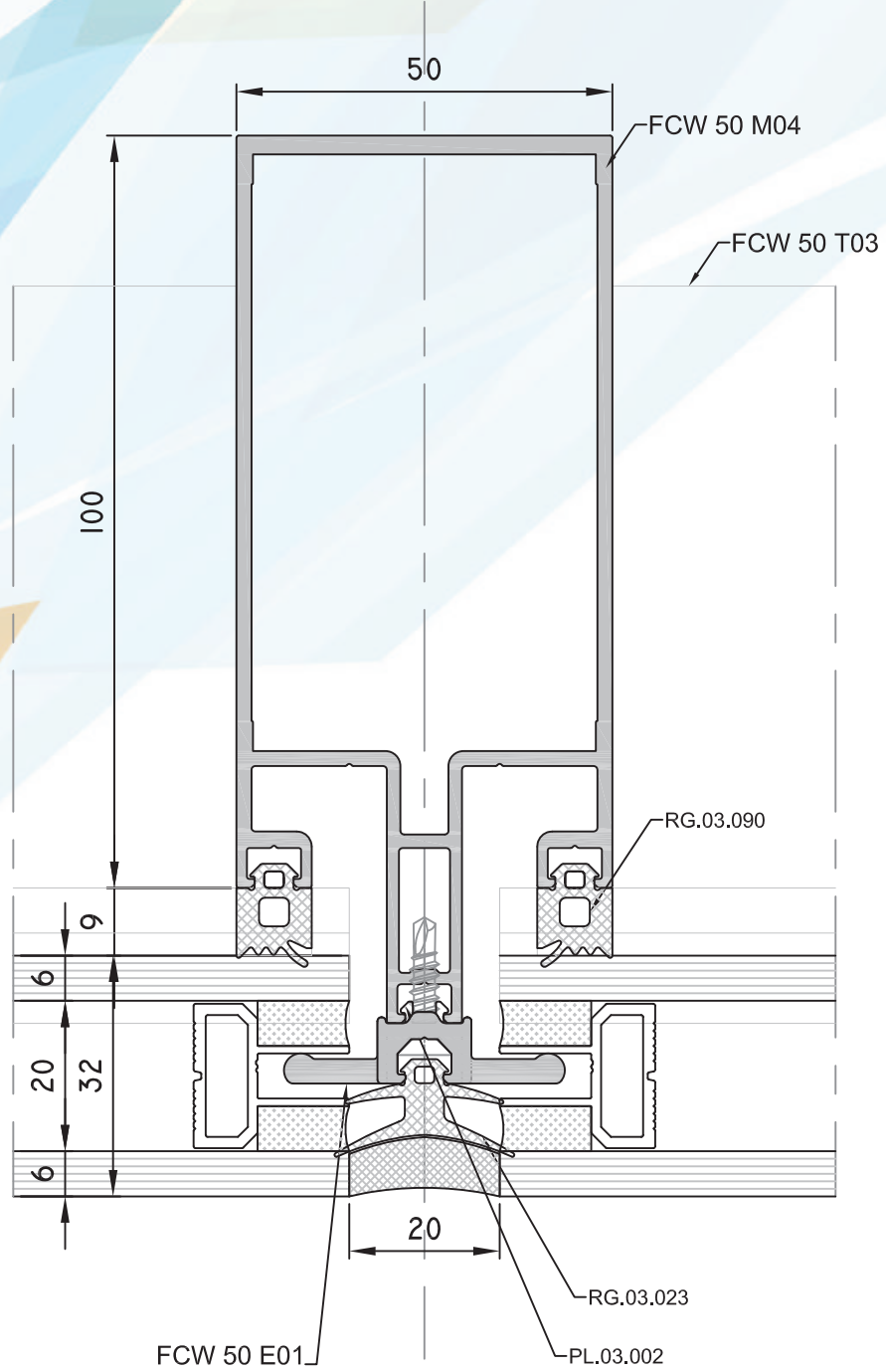


UYARI:

- Yüksekliği 10 metreye kadar olan binalarda uygulanmalıdır.
- Silikonlu kenarın 1m'den yüksek yarı kapaklı cephelerde cam içi bağlantı sisteminin uygulanması şarttır.

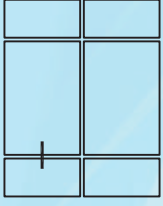


FOUR SIDE SİSTEM DÜŞEY DETAYI
FOUR SIDE VERTICAL DETAIL

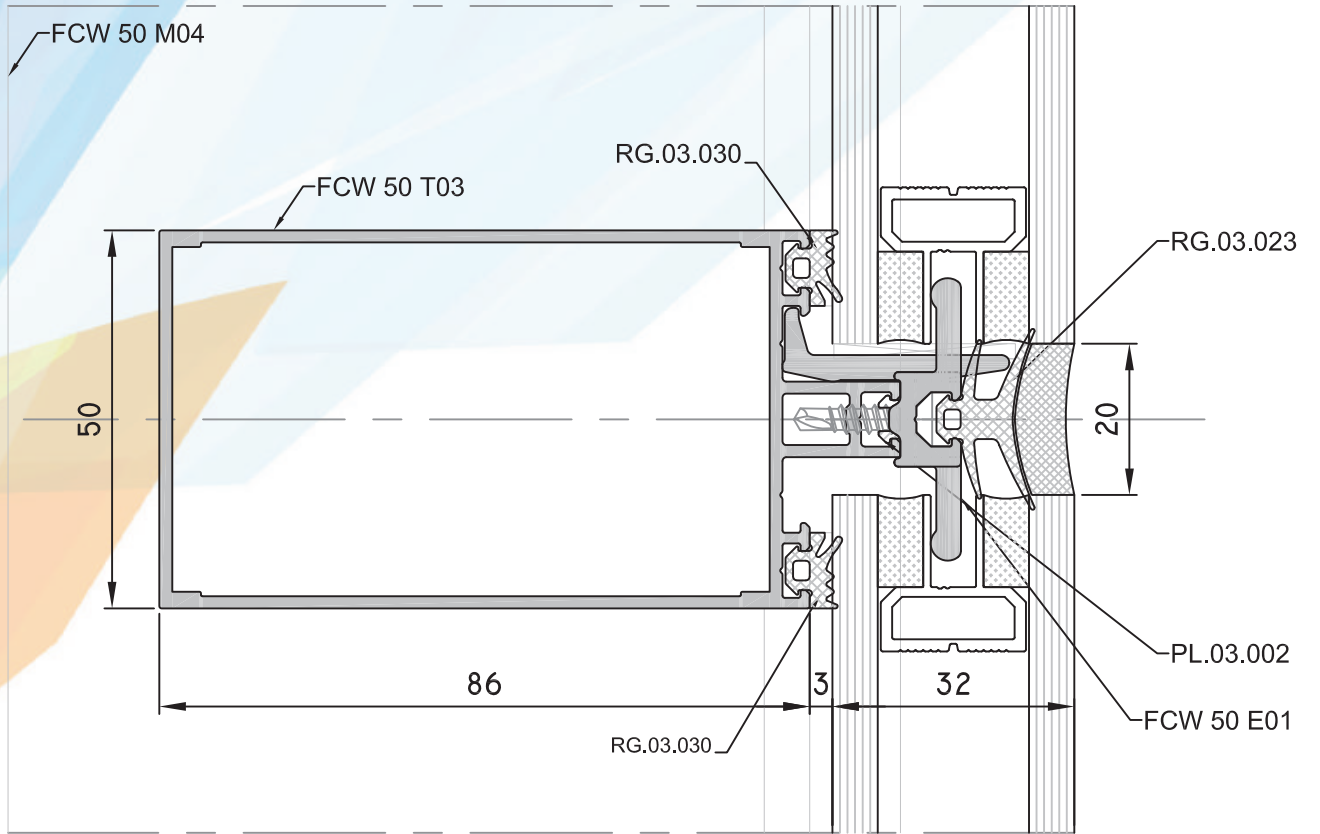


UYARI:

- Yüksekliği 10 metreye kadar olan binalarda uygulanmalıdır.
- Silikonlu kenarın 1m'den yüksek yarı kapaklı cephelerde cam içi bağlantı sisteminin uygulanması şarttır.

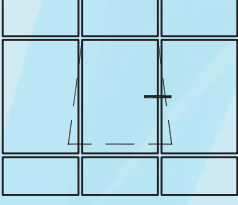


FOUR SIDE SİSTEM YATAY DETAYI
FOUR SIDE HORIZONTAL DETAIL

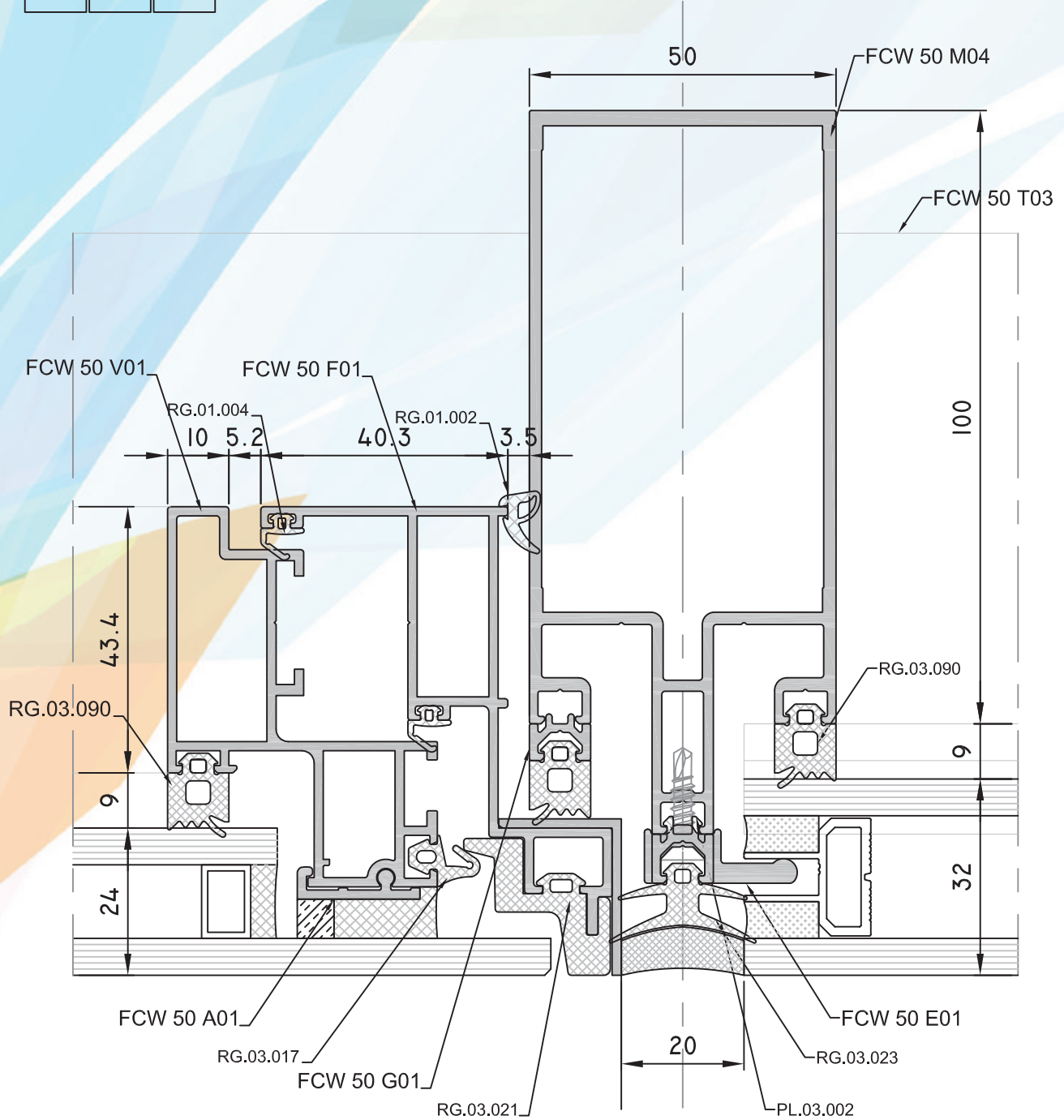


UYARI:

- Yüksekliği 10 metreye kadar olan binalarda uygulanmalıdır.
- Silikonlu kenarın 1m'den yüksek yarı kapaklı cephelerde cam içi bağlantı sisteminin uygulanması şarttır.

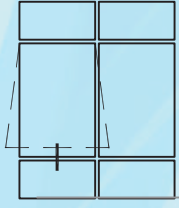


TWO SIDE SİSTEM DÜŞEY SİLİKON YATAY SİLİKON AÇILIR DÜŞEY DETAYI
TWO SIDE VERTICAL DETAIL

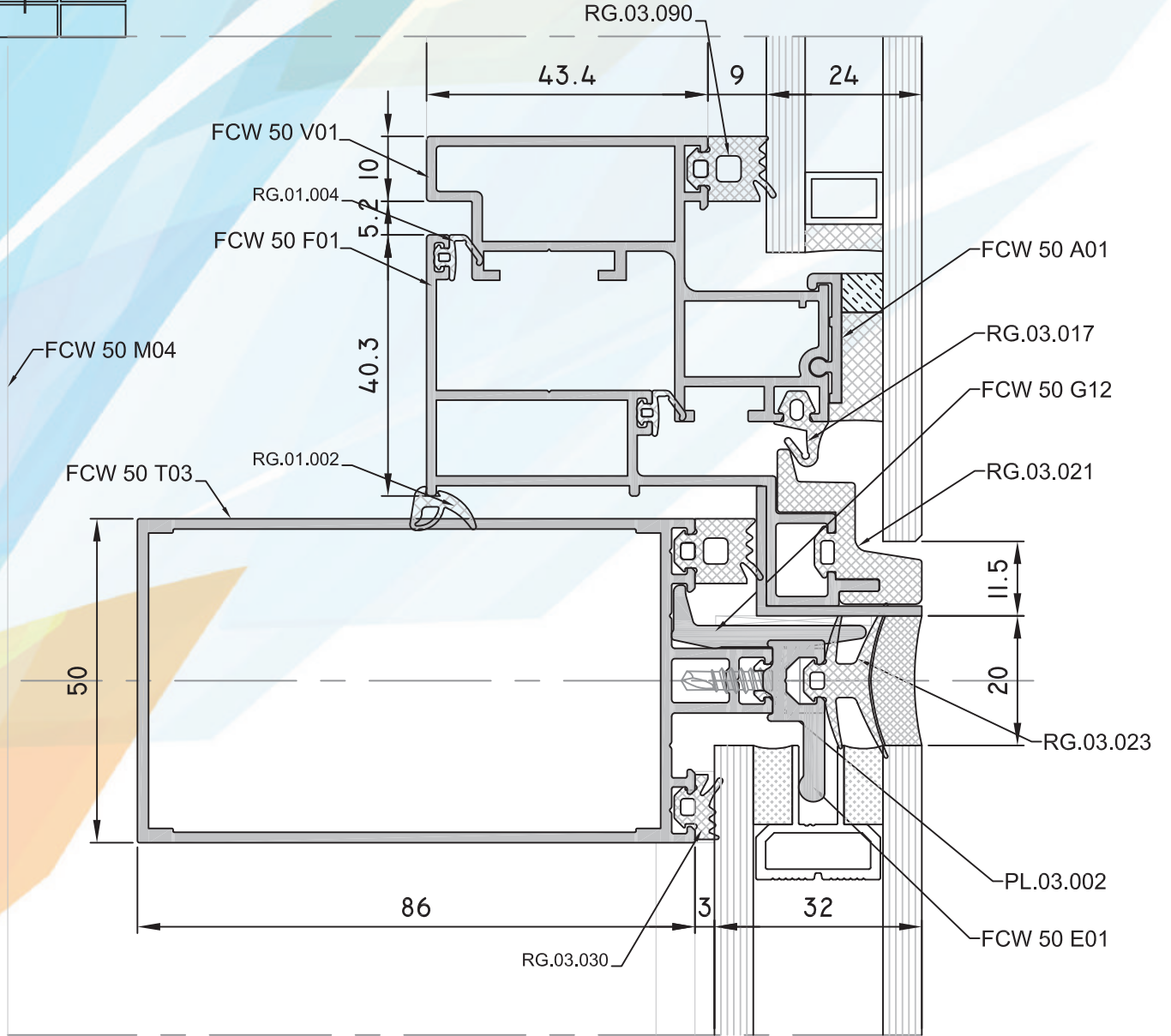


UYARI:

- Yüksekliği 10 metreye kadar olan binalarda uygulanmalıdır.
- Silikonlu kenarın 1m'den yüksek yarı kapaklı cephelerde cam içi bağlantı sisteminin uygulanması şarttır.

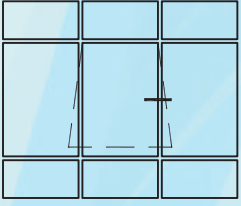


TWO SIDE SİSTEM DÜŞEY SİLİKON YATAY SİLİKON AÇILIR DÜŞEY DETAYI
TWO SIDE HORIZONTAL DETAIL

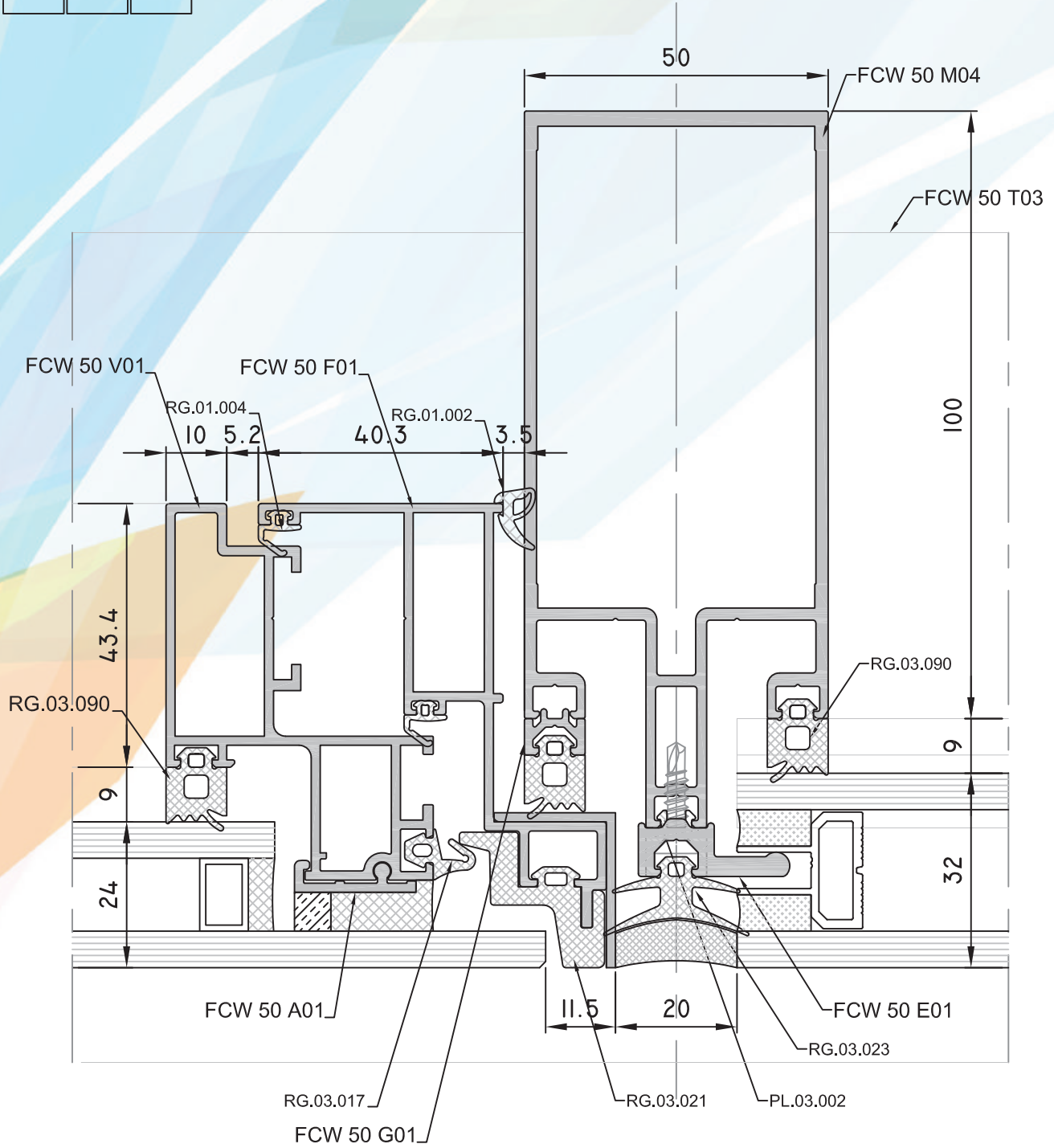


UYARI:

- Yüksekliği 10 metreye kadar olan binalarda uygulanmalıdır.
- Silikonlu kenarın 1m'den yüksek yarı kapaklı cephelerde cam içi bağlantı sisteminin uygulanması şarttır.

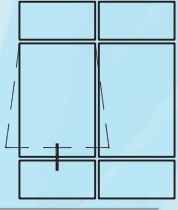


TWO SIDE SİSTEM DÜŞEY SİLİKON YATAY KAPAKLI AÇILIR DÜŞEY DETAYI
TWO SIDE VERTICAL DETAIL

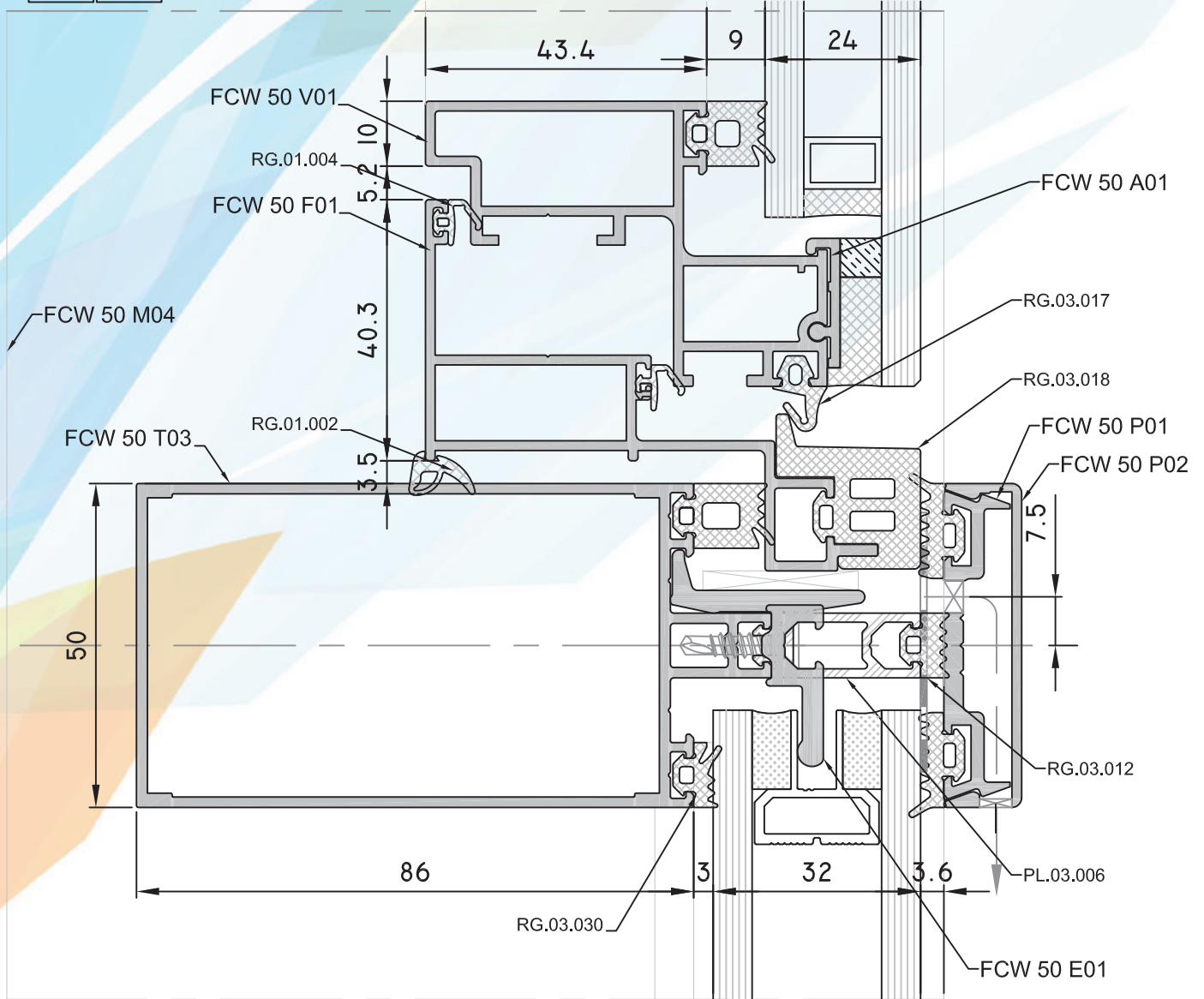


UYARI:

- Yüksekliği 10 metreye kadar olan binalarda uygulanmalıdır.
- Silikonlu kenarın 1m'den yüksek yarı kapaklı cephelerde cam içi bağlantı sisteminin uygulanması şarttır.

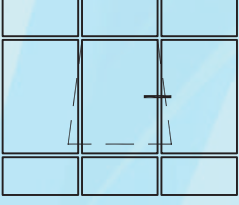


TWO SIDE SİSTEM DÜŞEY SİLİKON YATAY KAPAKLI AÇILIR YATAY DETAYI
TWO SIDE HORIZONTAL DETAIL

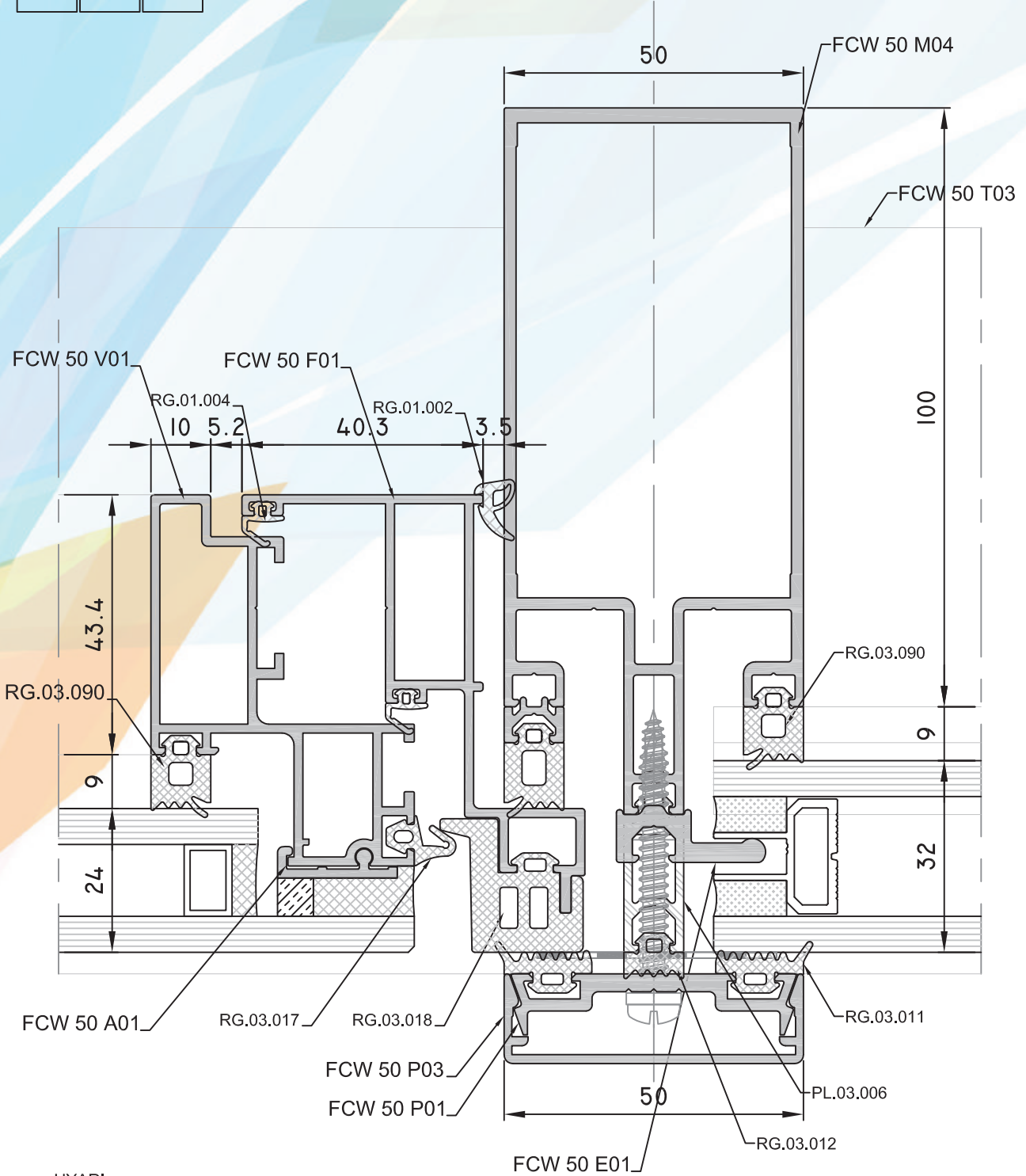


UYARI:

- Yüksekliği 10 metreye kadar olan binalarda uygulanmalıdır.
- Silikonlu kenarın 1m'den yüksek yarı kapaklı cephelerde cam içi bağlantı sisteminin uygulanması şarttır.

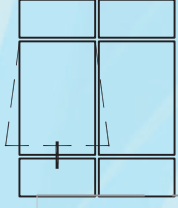


TWO SIDE SİSTEM DÜŞEY SİLİKON YATAY SİLİKON AÇILIR DÜŞEY DETAYI
TWO SIDE VERTICAL DETAIL

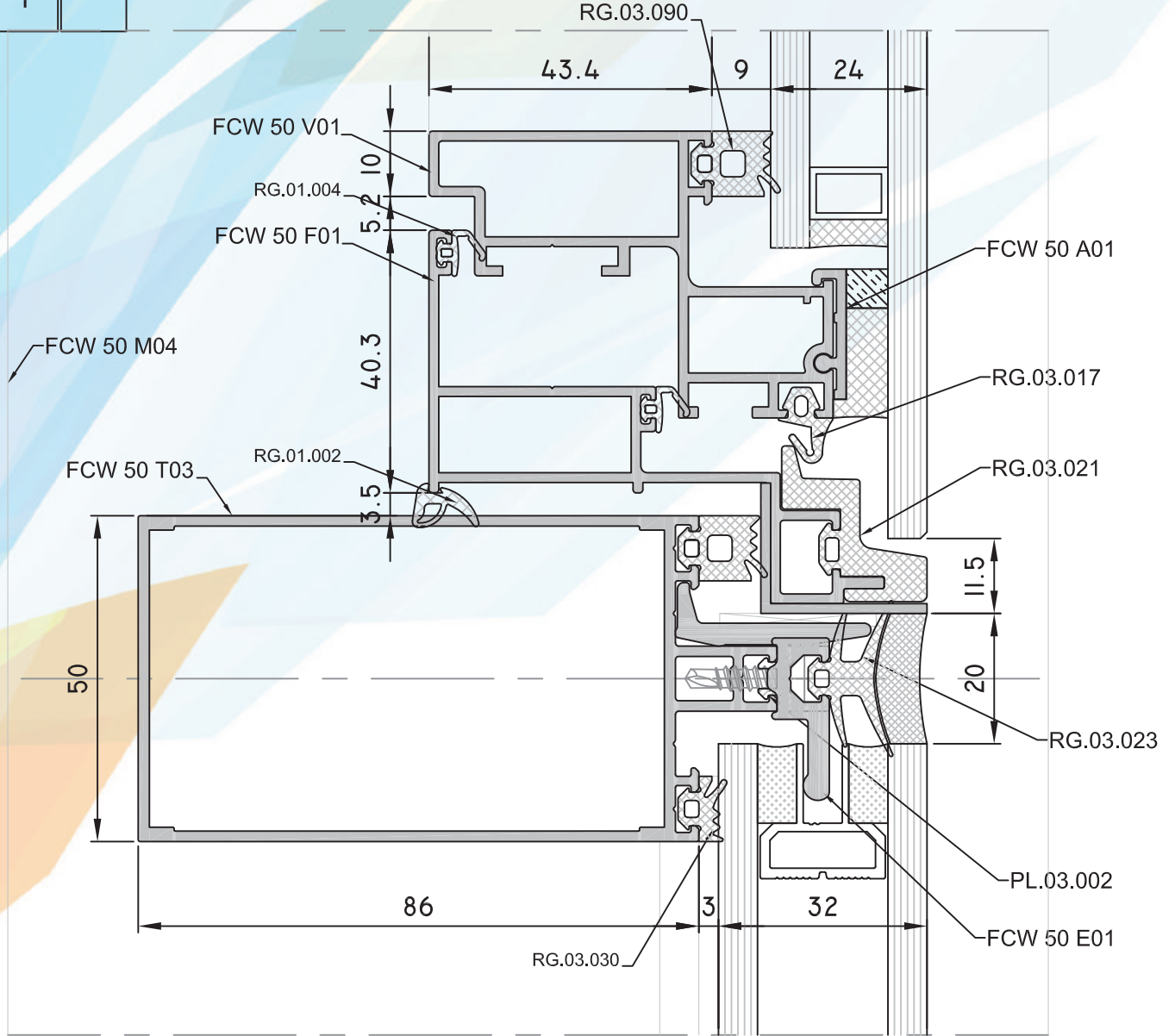


UYARI:

- Yüksekliği 10 metreye kadar olan binalarda uygulanmalıdır.
- Silikonlu kenarın 1m'den yüksek yarı kapaklı cephelerde cam içi bağlantı sisteminin uygulanması şarttır.



TWO SIDE SİSTEM DÜŞEY SİLİKON YATAY SİLİKON AÇILIR YATAY DETAYI
TWO SIDE HORIZONTAL DETAIL

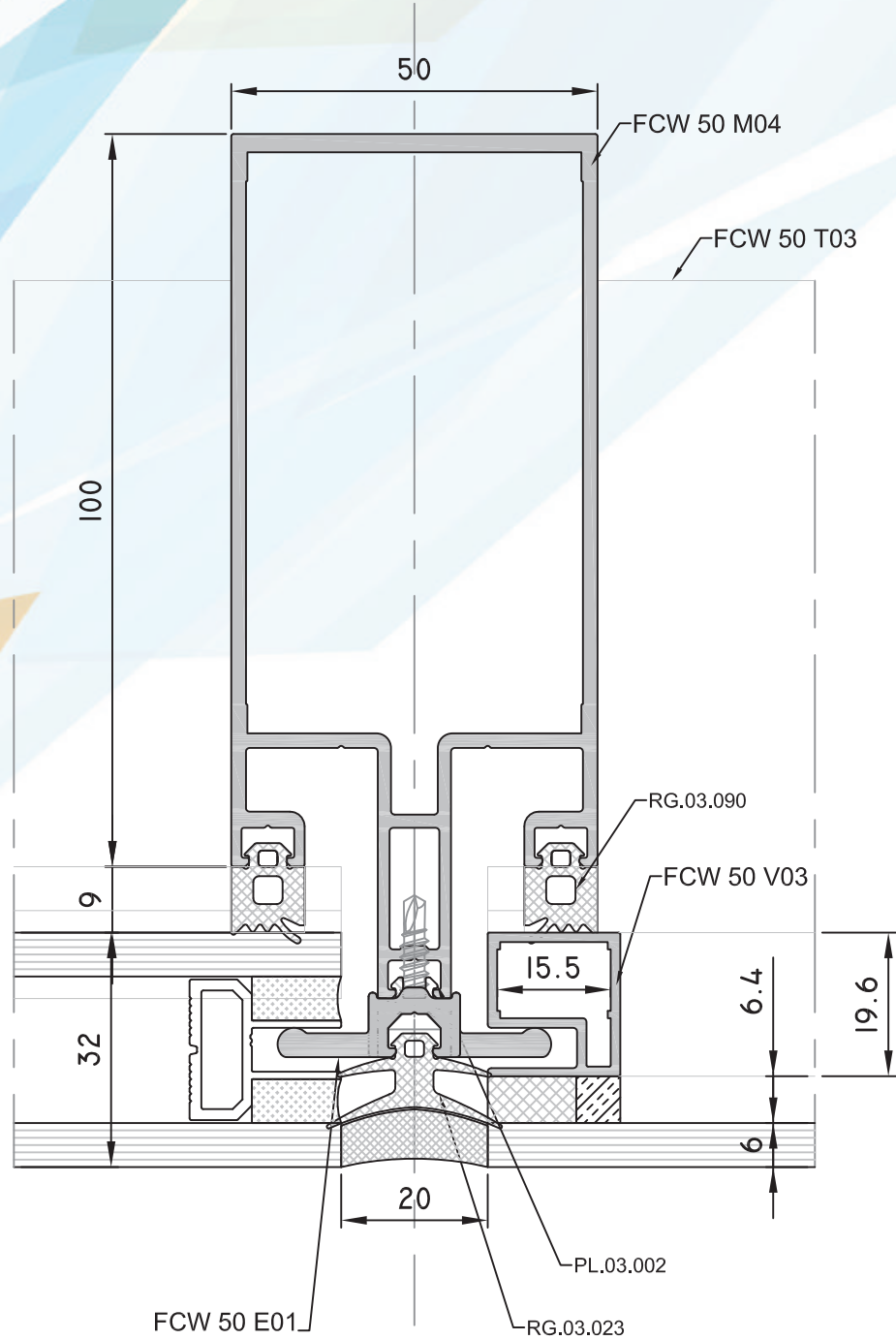


UYARI:

- Yüksekliği 10 metreye kadar olan binalarda uygulanmalıdır.
- Silikonlu kenarın 1m'den yüksek yarı kapaklı cephelerde cam içi bağlantı sisteminin uygulanması şarttır.

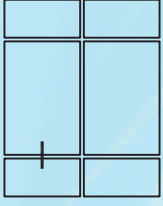


FOUR SIDE SİSTEM DÜŞEY DETAYI
FOUR SIDE VERTICAL DETAIL

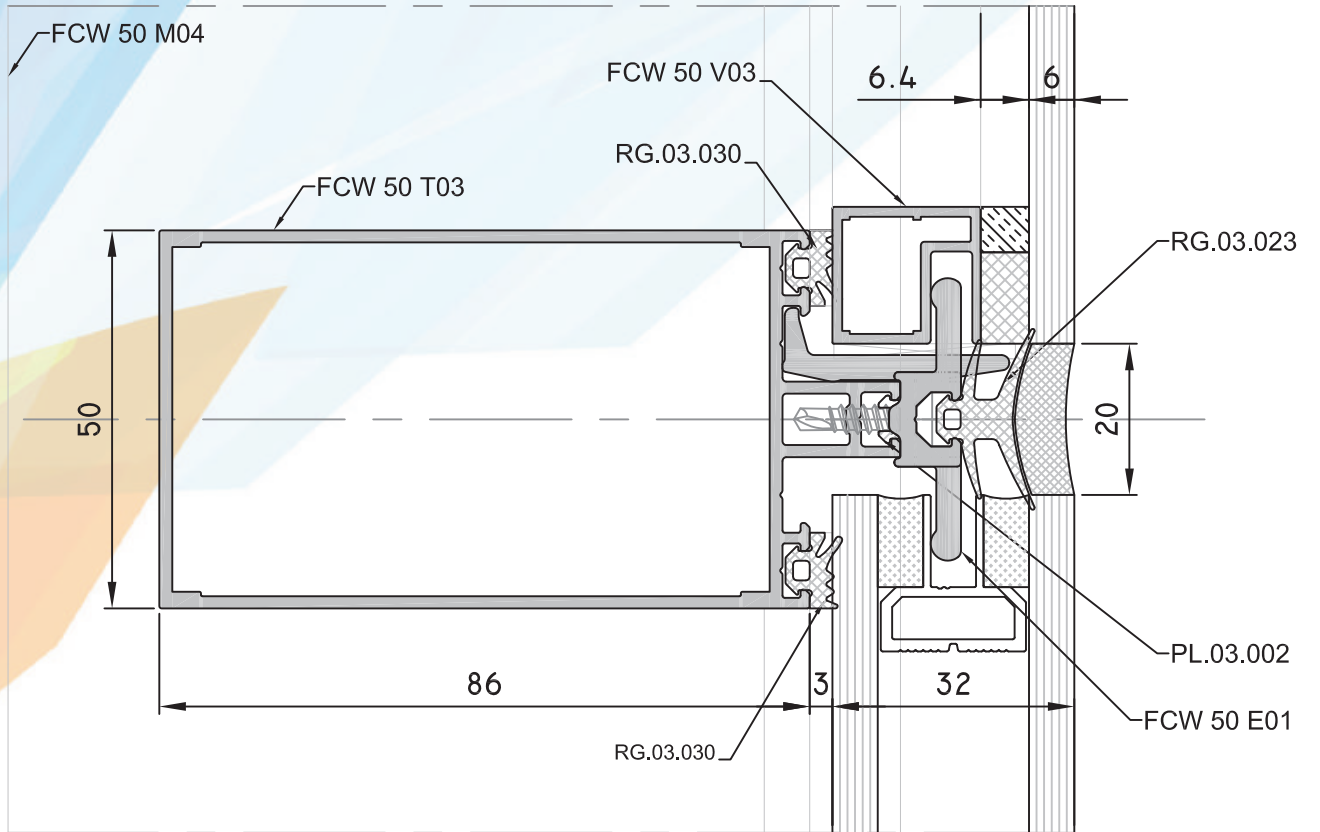


UYARI:

- Yüksekliği 10 metreye kadar olan binalarda uygulanmalıdır.
- Silikonlu kenarın 1m'den yüksek yarı kapaklı cephelerde cam içi bağlantı sisteminin uygulanması şarttır.



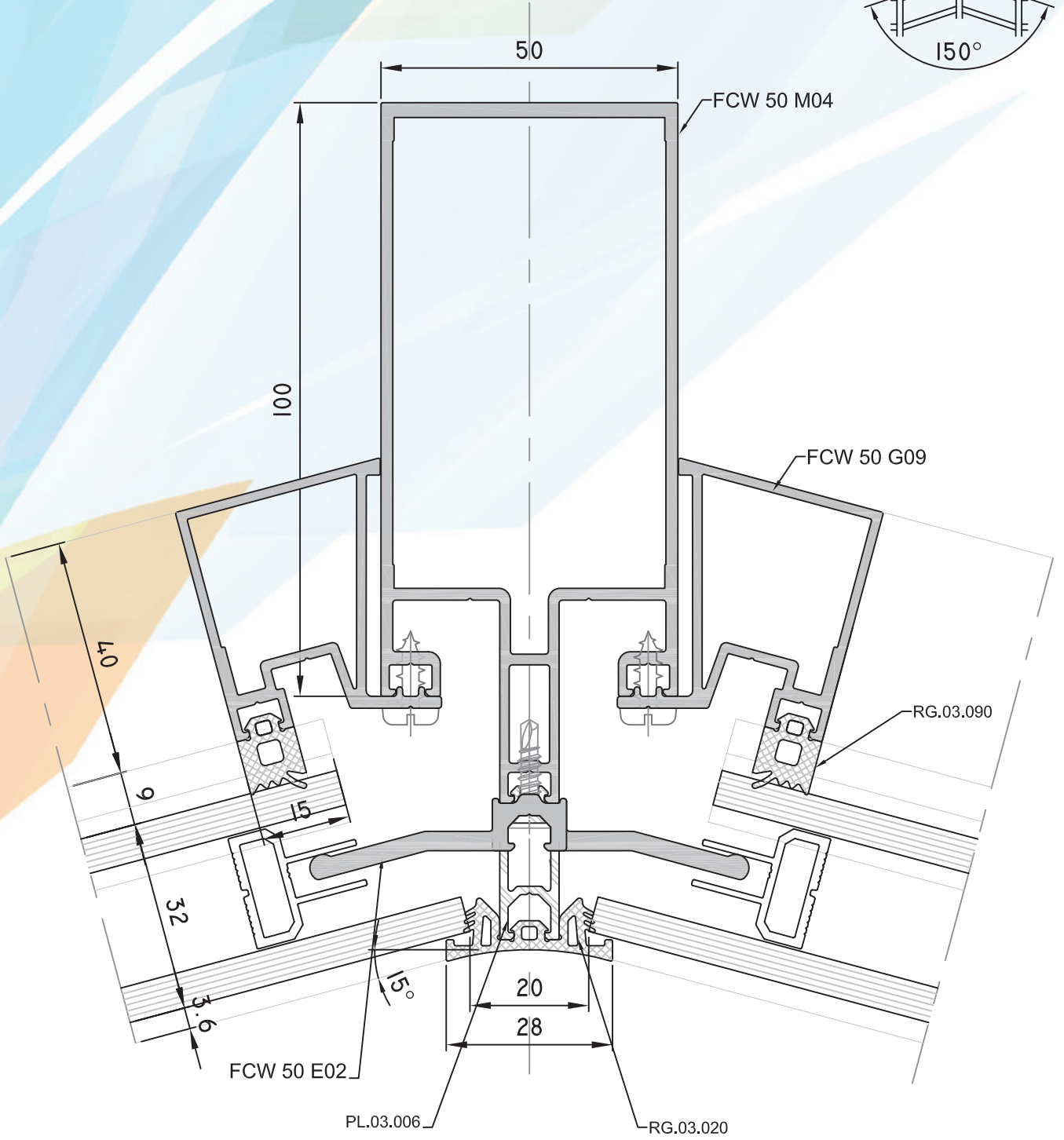
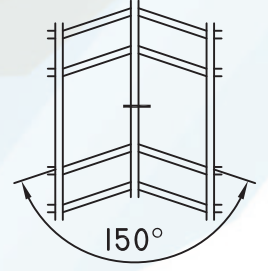
FOUR SIDE SİSTEM YATAY DETAYI
FOUR SIDE HORIZONTAL DETAIL



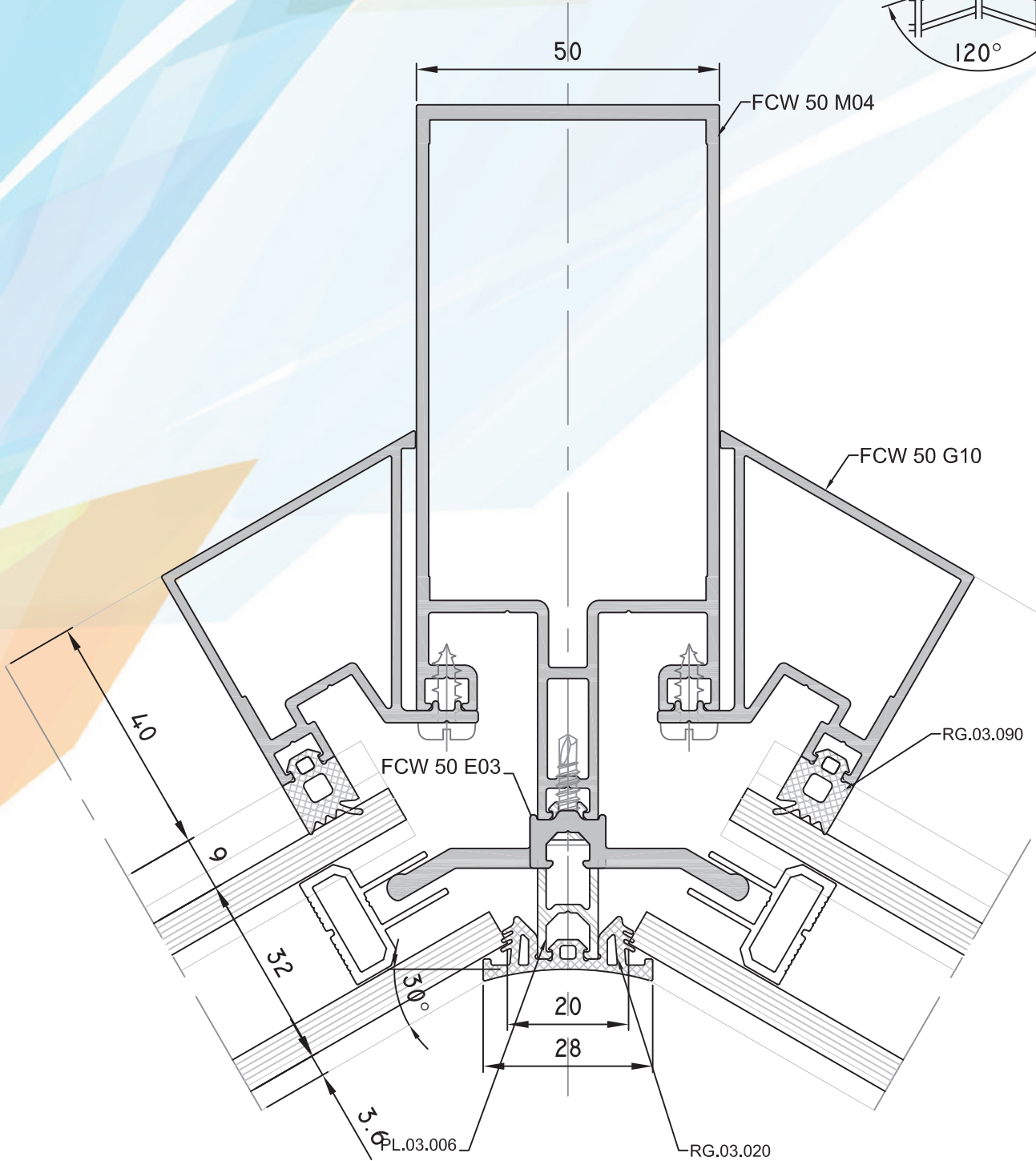
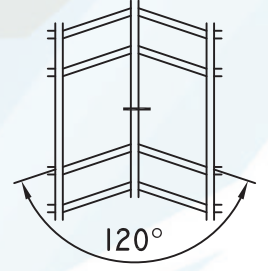
UYARI:

- Yüksekliği 10 metreye kadar olan binalarda uygulanmalıdır.
- Silikonlu kenarın 1m'den yüksek yarı kapaklı cephelerde cam içi bağlantı sisteminin uygulanması şarttır.

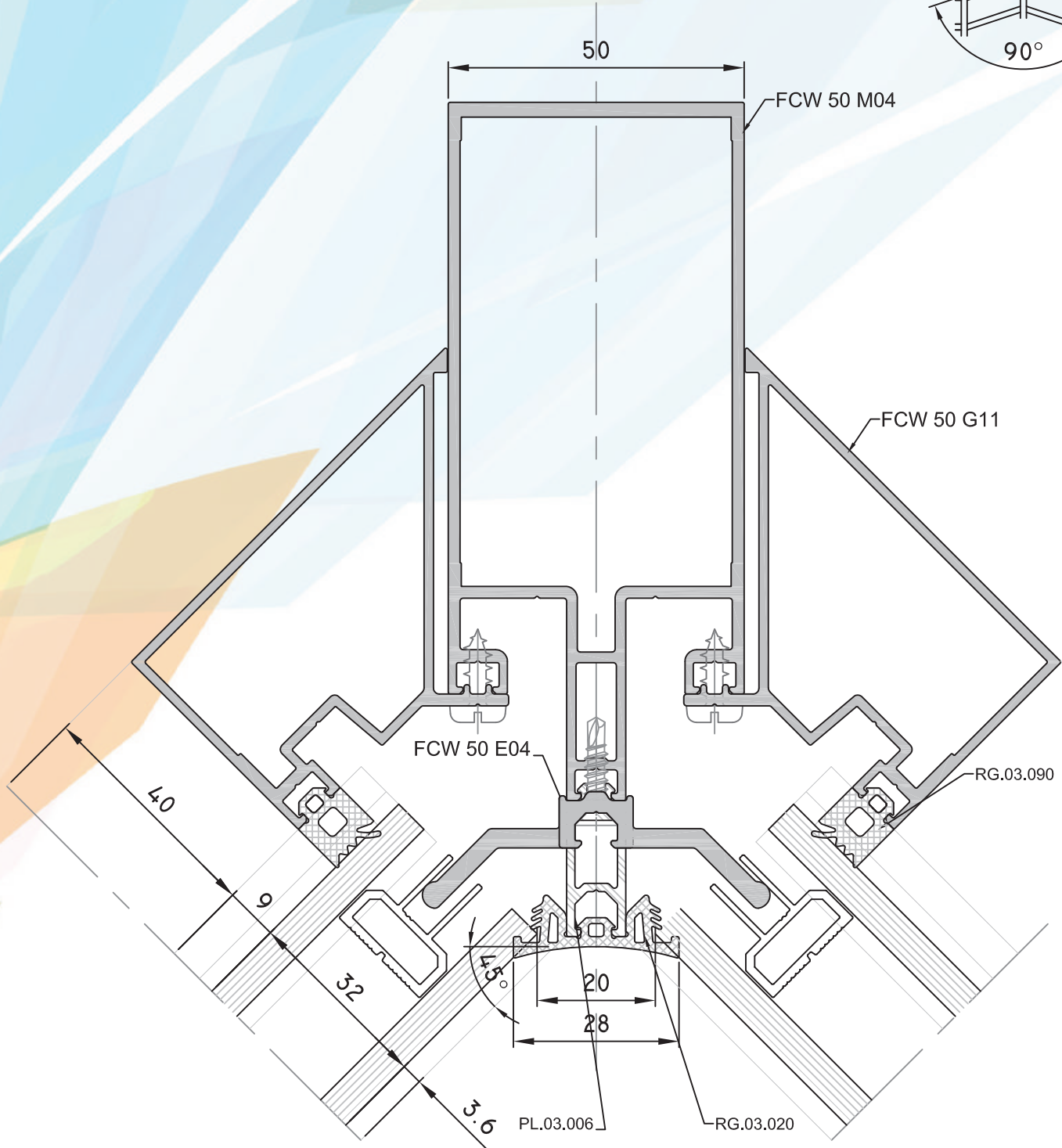
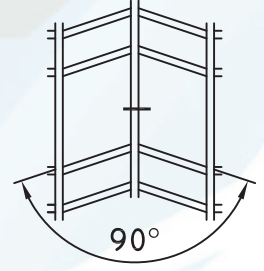
150° DIŐ AÇILI KAPAKLI CEPHE DÜŐEY DETAYI
150° ANGULAR CURTAIN WALL VERTICAL DETAIL



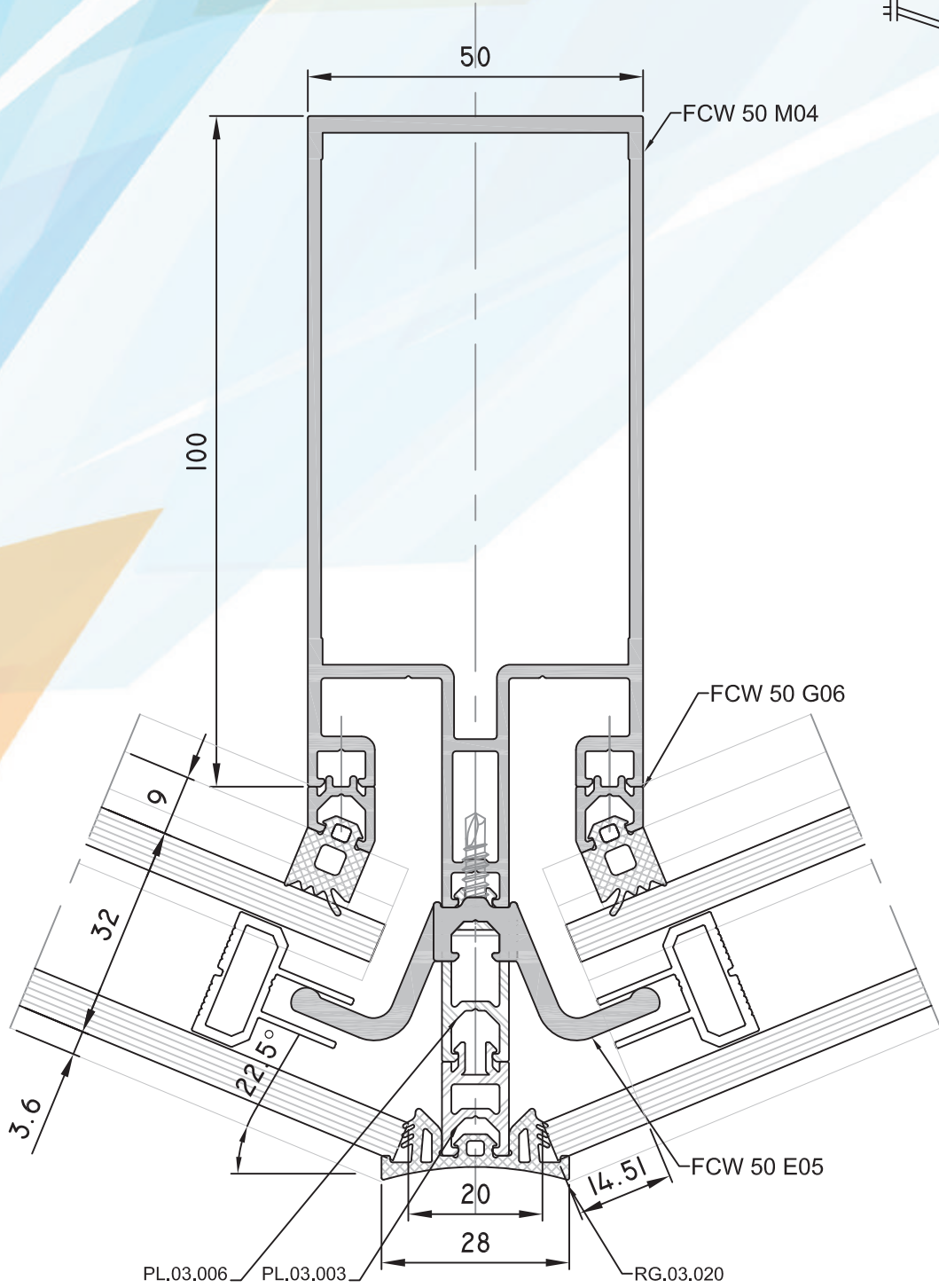
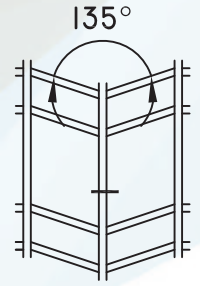
120° DIŞ AÇILI KAPAKLI CEPHE DÜŞEY DETAYI
120° ANGULAR CURTAIN WALL VERTICAL DETAIL



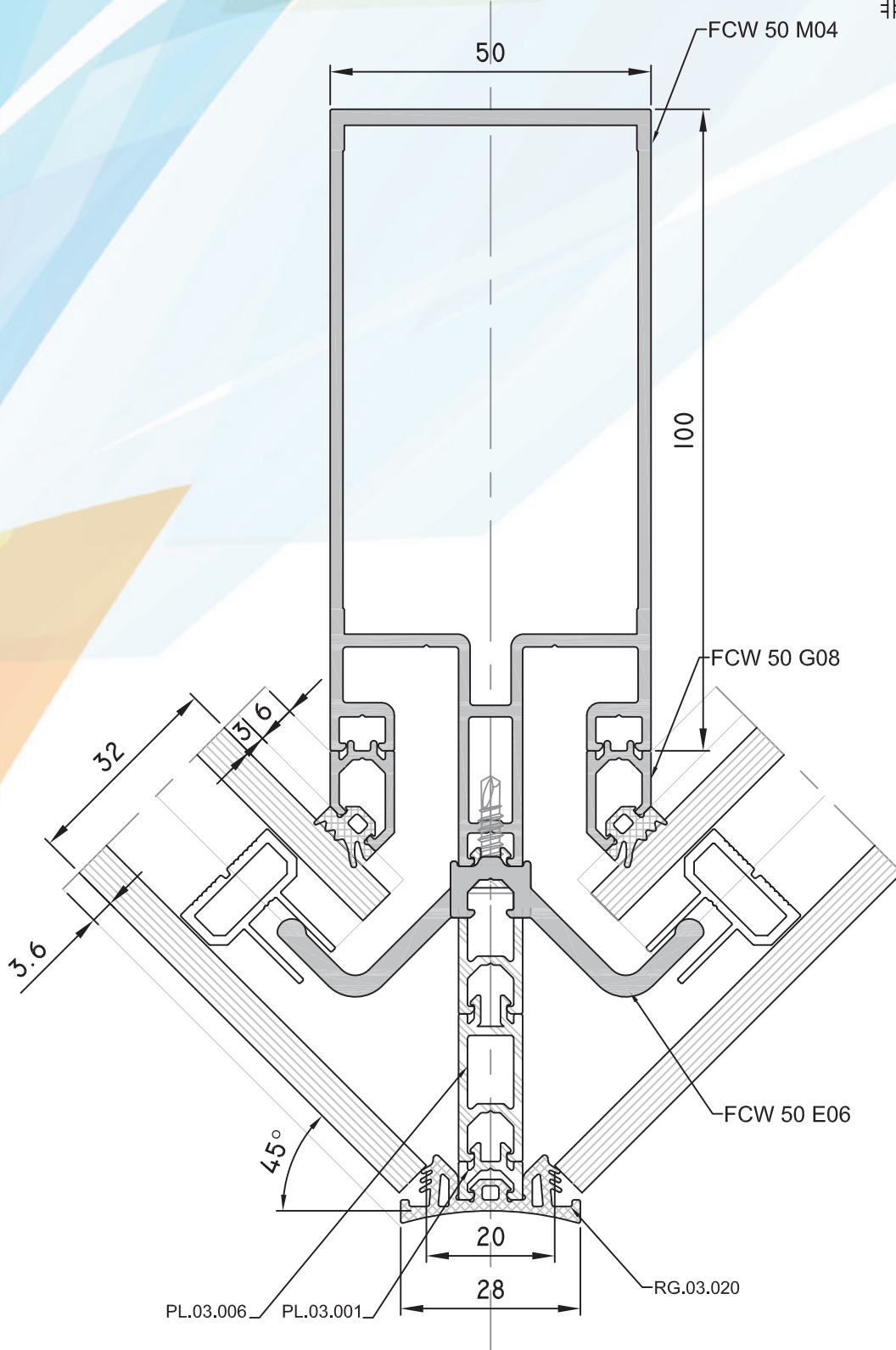
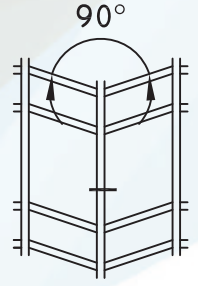
90° DIŞ AÇILI KAPAKLI CEPHE DÜŞEY DETAYI
90° ANGULAR CURTAIN WALL VERTICAL DETAIL



135° İÇ AÇILI KAPAKLI CEPHE DÜŞEY DETAYI
135° ANGULAR CURTAIN WALL VERTICAL DETAIL



90° İÇ AÇILI KAPAKLI CEPHE DÜŞEY DETAYI
90° ANGULAR CURTAIN WALL VERTICAL DETAIL



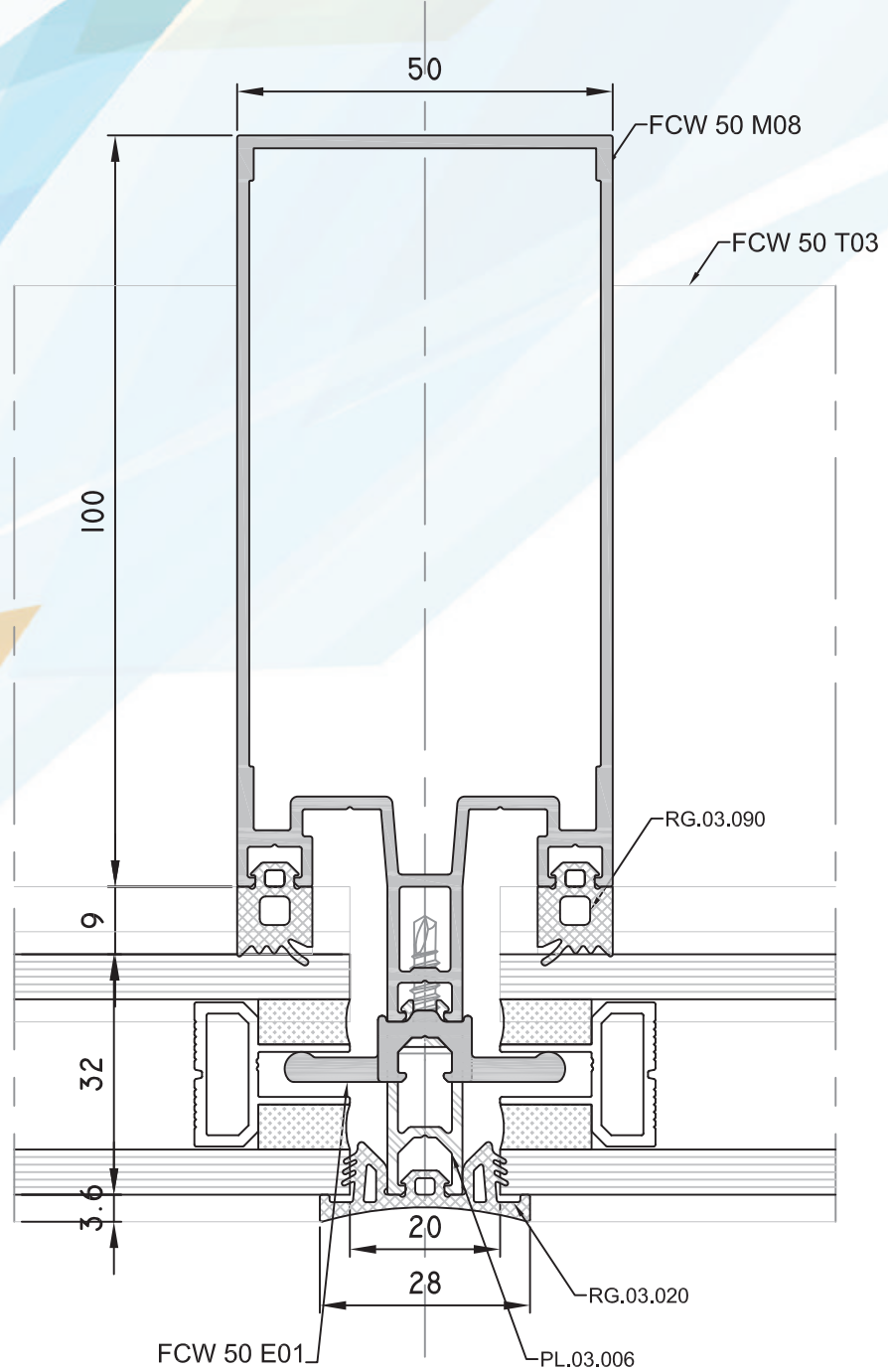
seral[®]

ALUMINIUM & STEEL

*1.6 mm Taşıyıcı Dikme
Profilleri U Kondens Kanallı
Tip İle 4 Side / 2 Side
Strüktürel Silikon Cephe*

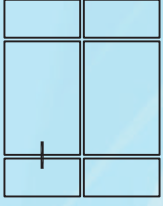


FOUR SIDE SİSTEM DÜŞEY DETAYI
FOUR SIDE VERTICAL DETAIL

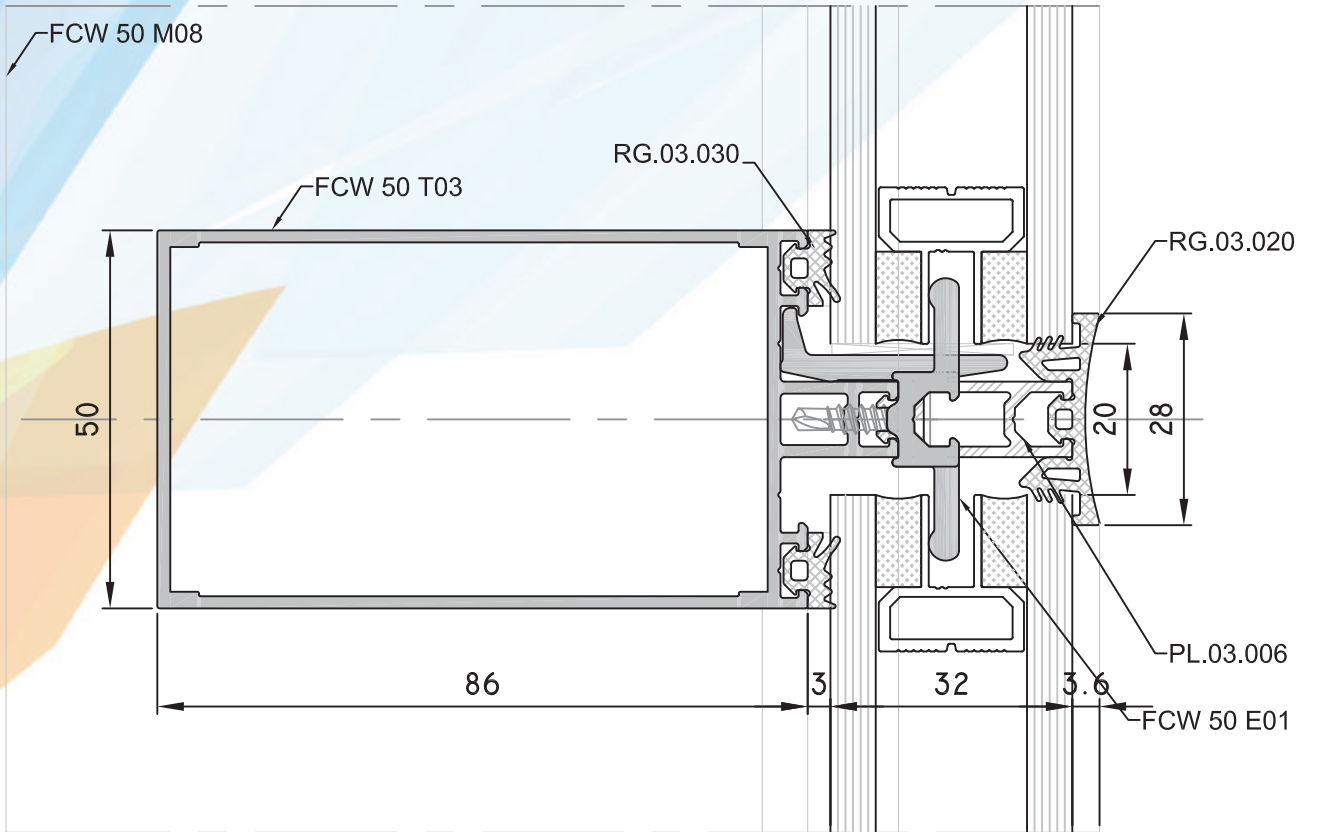


UYARI:

- Yüksekliği 10 metreye kadar olan binalarda uygulanmalıdır.
- Silikonlu kenarın 1m'den yüksek yarı kapaklı cephelerde cam içi bağlantı sisteminin uygulanması şarttır.

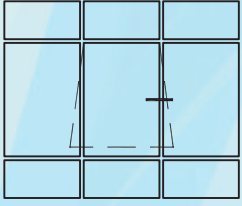


FOUR SIDE SİSTEM YATAY DETAYI
FOUR SIDE HORIZONTAL DETAIL

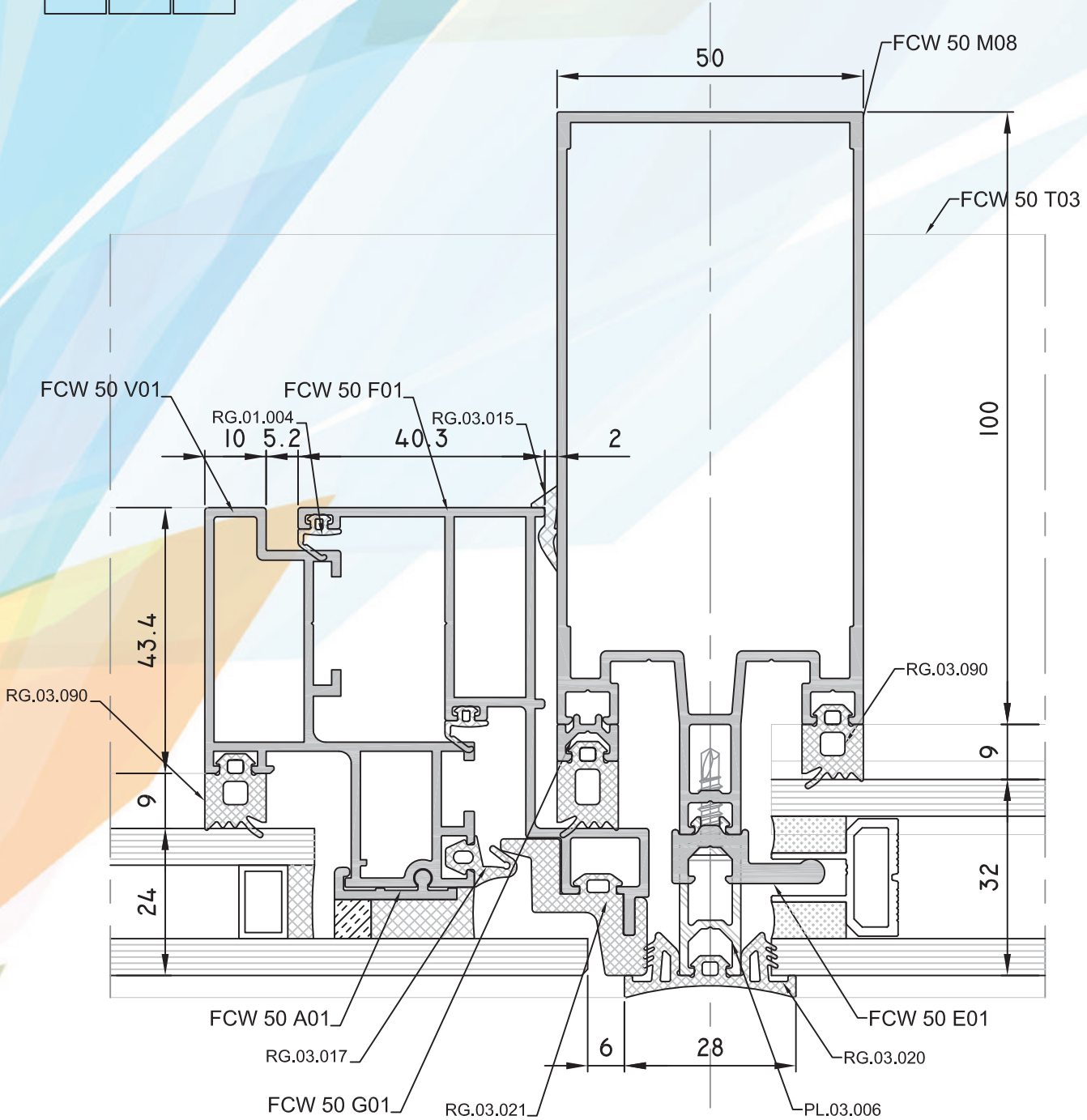


UYARI:

- Yüksekliği 10 metreye kadar olan binalarda uygulanmalıdır.
- Silikonlu kenarın 1m'den yüksek yarı kapaklı cephelerde cam içi bağlantı sisteminin uygulanması şarttır.

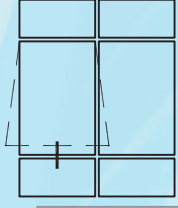


TWO SIDE SİSTEM DÜŞEY SİLİKON YATAY SİLİKON AÇILIR DÜŞEY DETAYI
TWO SIDE VERTICAL DETAIL

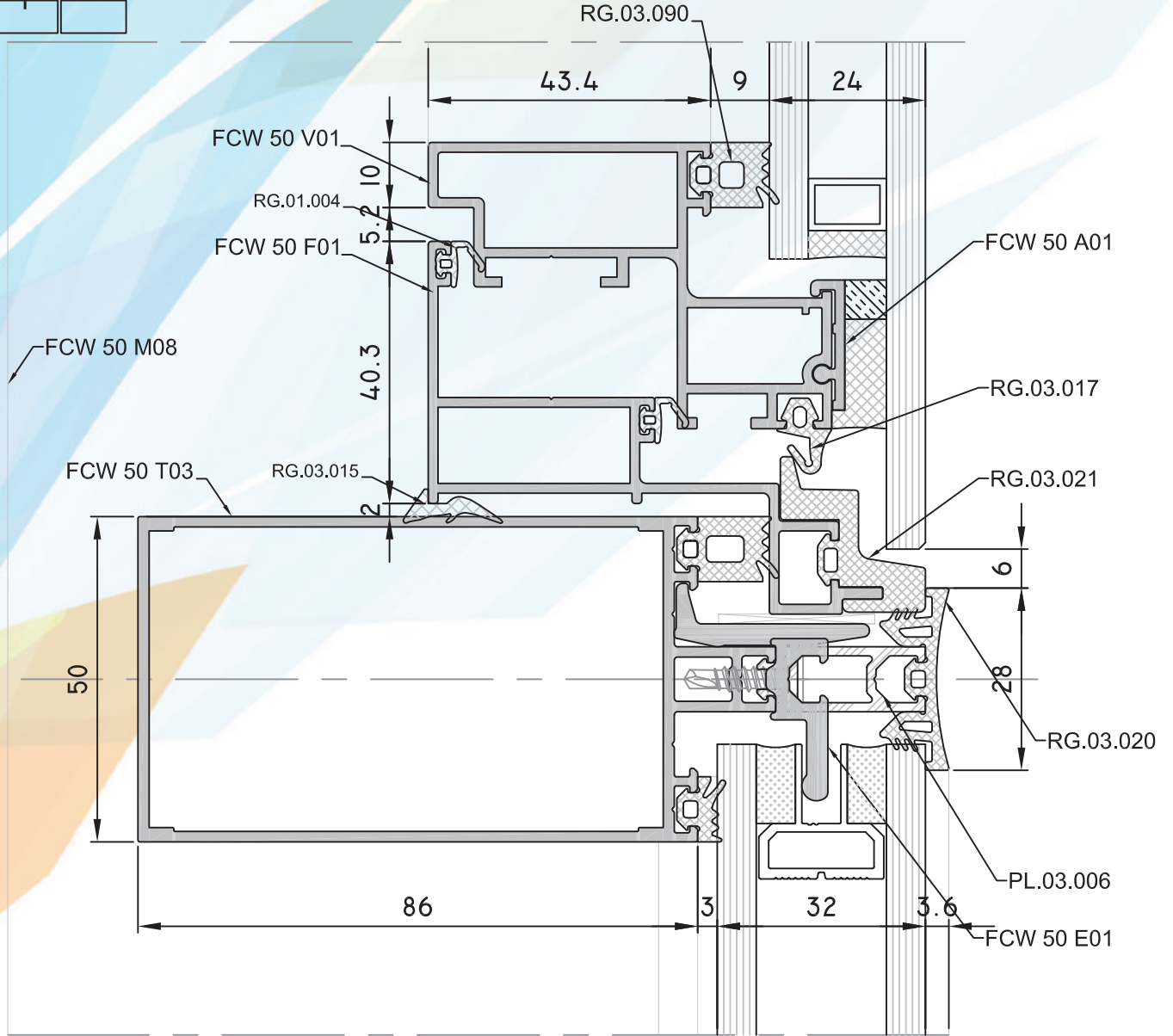


UYARI:

- Yüksekliği 10 metreye kadar olan binalarda uygulanmalıdır.
- Silikonlu kenarın 1m'den yüksek yarı kapaklı cephelerde cam içi bağlantı sisteminin uygulanması şarttır.

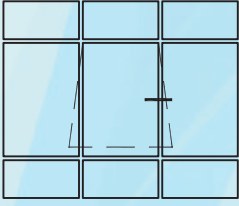


TWO SIDE SİSTEM DÜŞEY SİLİKON YATAY SİLİKON AÇILIR YATAY DETAYI
TWO SIDE HORIZONTAL DETAIL

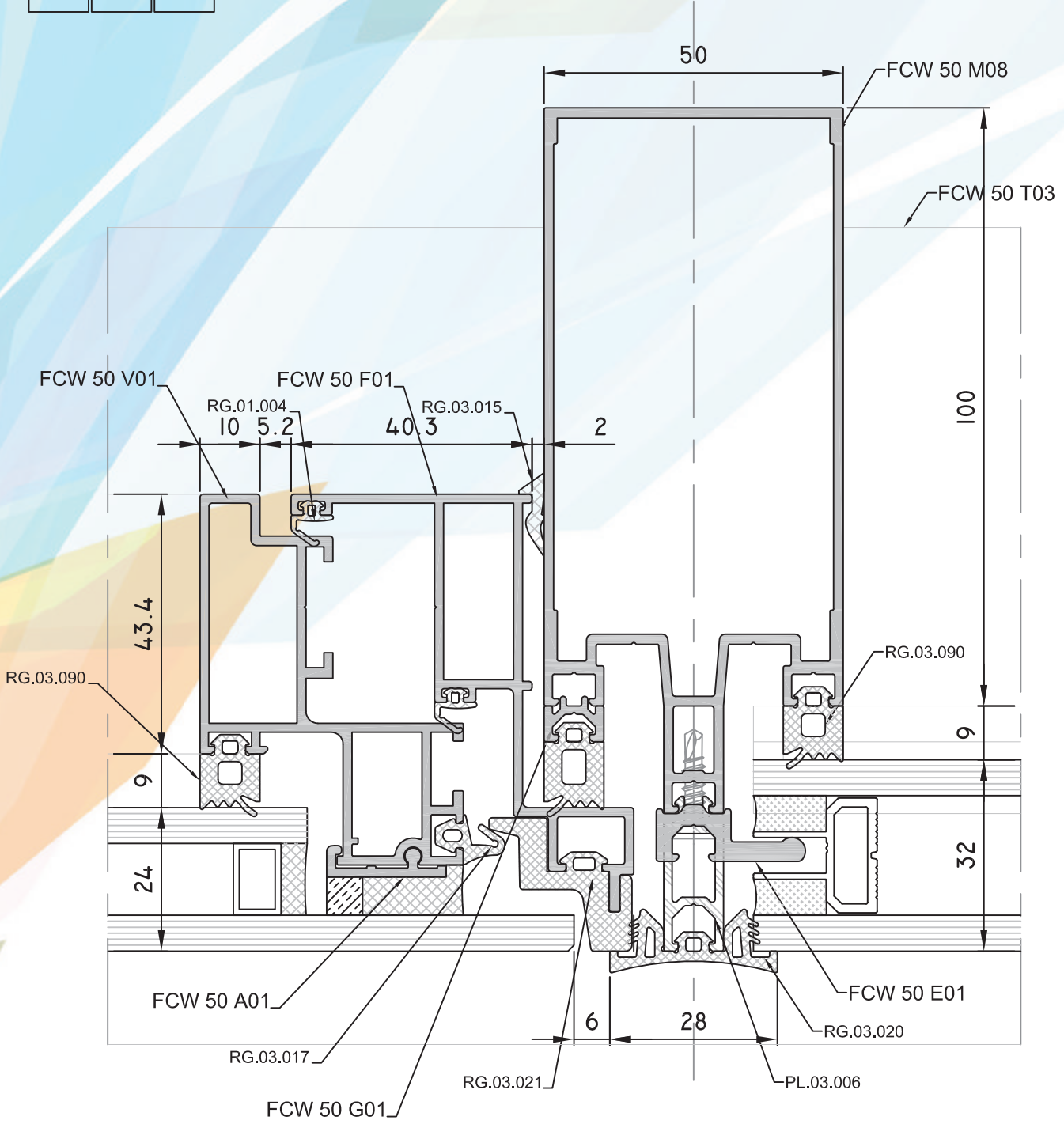


UYARI:

- Yüksekliği 10 metreye kadar olan binalarda uygulanmalıdır.
- Silikonlu kenarın 1m'den yüksek yarı kapaklı cephelerde cam içi bağlantı sisteminin uygulanması şarttır.

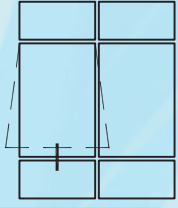


TWO SIDE SİSTEM DÜŞEY SİLİKON YATAY KAPAKLI AÇILIR DÜŞEY DETAYI
TWO SIDE VERTICAL DETAIL

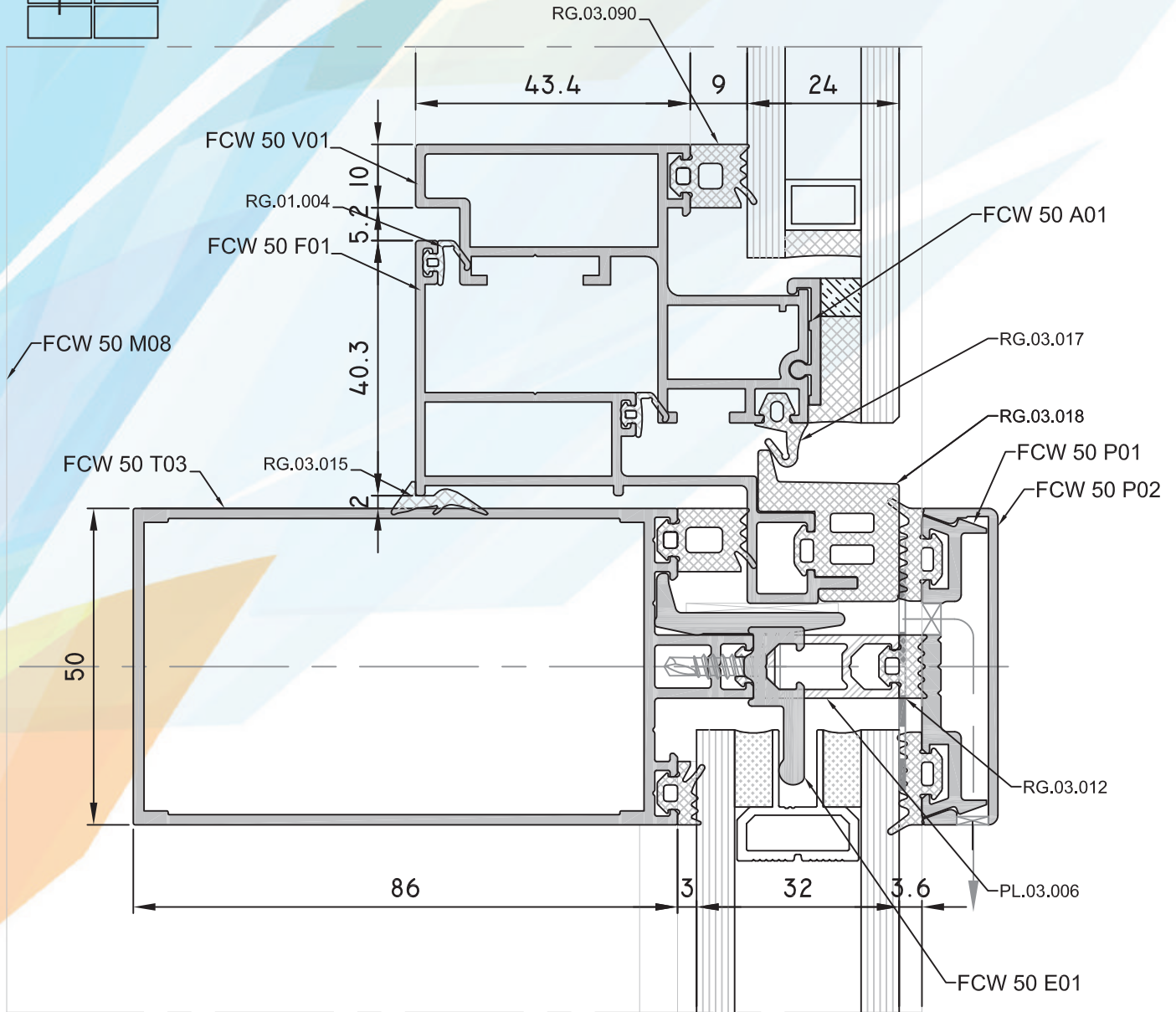


UYARI:

- Yüksekliği 10 metreye kadar olan binalarda uygulanmalıdır.
- Silikonlu kenarın 1m'den yüksek yarı kapaklı cephelerde cam içi bağlantı sisteminin uygulanması şarttır.

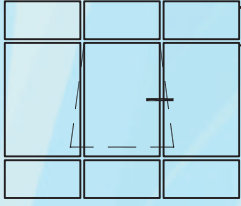


TWO SIDE SİSTEM DÜŞEY SİLİKON YATAY KAPAKLI AÇILIR DÜŞEY DETAYI
TWO SIDE HORIZONTAL DETAIL

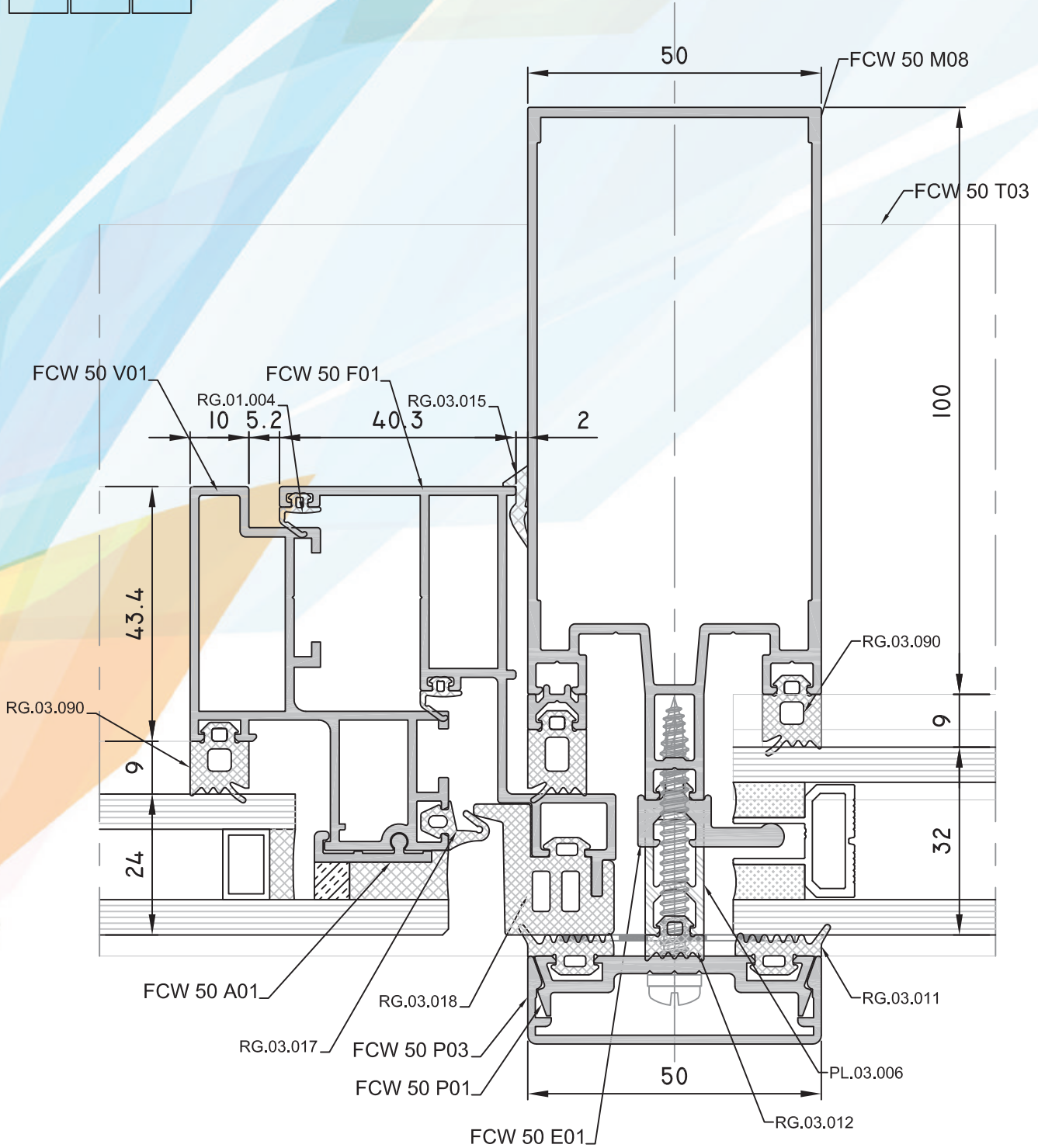


UYARI:

- Yüksekliği 10 metreye kadar olan binalarda uygulanmalıdır.
- Silikonlu kenarın 1m'den yüksek yarı kapaklı cephelerde cam içi bağlantı sisteminin uygulanması şarttır.

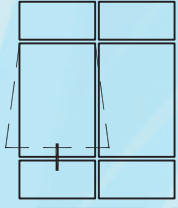


TWO SIDE SİSTEM DÜŞEY SİLİKON YATAY SİLİKON AÇILIR DÜŞEY DETAYI
TWO SIDE VERTICAL DETAIL

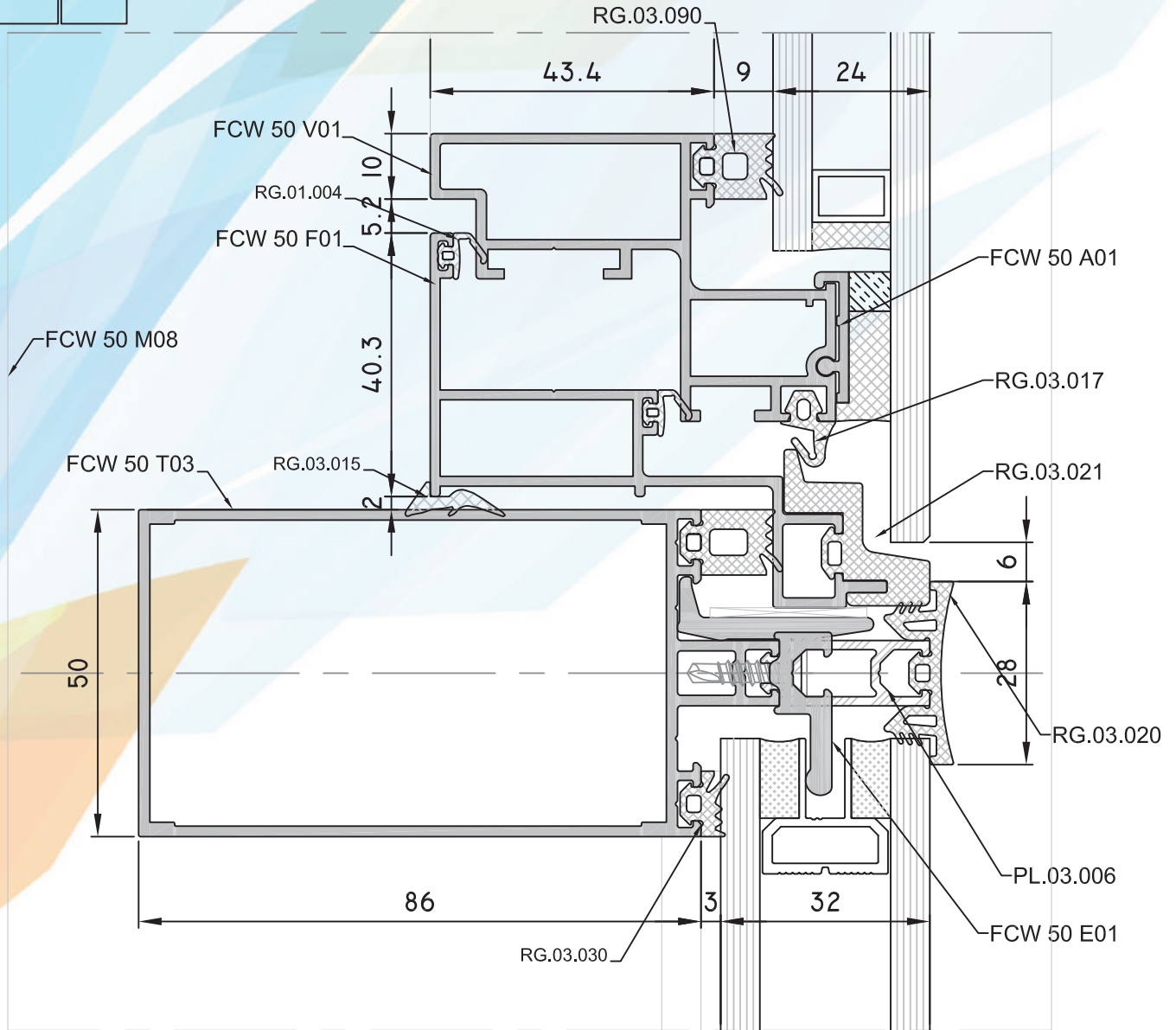


UYARI:

- Yüksekliği 10 metreye kadar olan binalarda uygulanmalıdır.
- Silikonlu kenarın 1m'den yüksek yarı kapaklı cephelerde cam içi bağlantı sisteminin uygulanması şarttır.



TWO SIDE SİSTEM DÜŞEY SİLİKON YATAY SİLİKON AÇILIR DÜŞEY DETAYI
TWO SIDE HORIZONTAL DETAIL

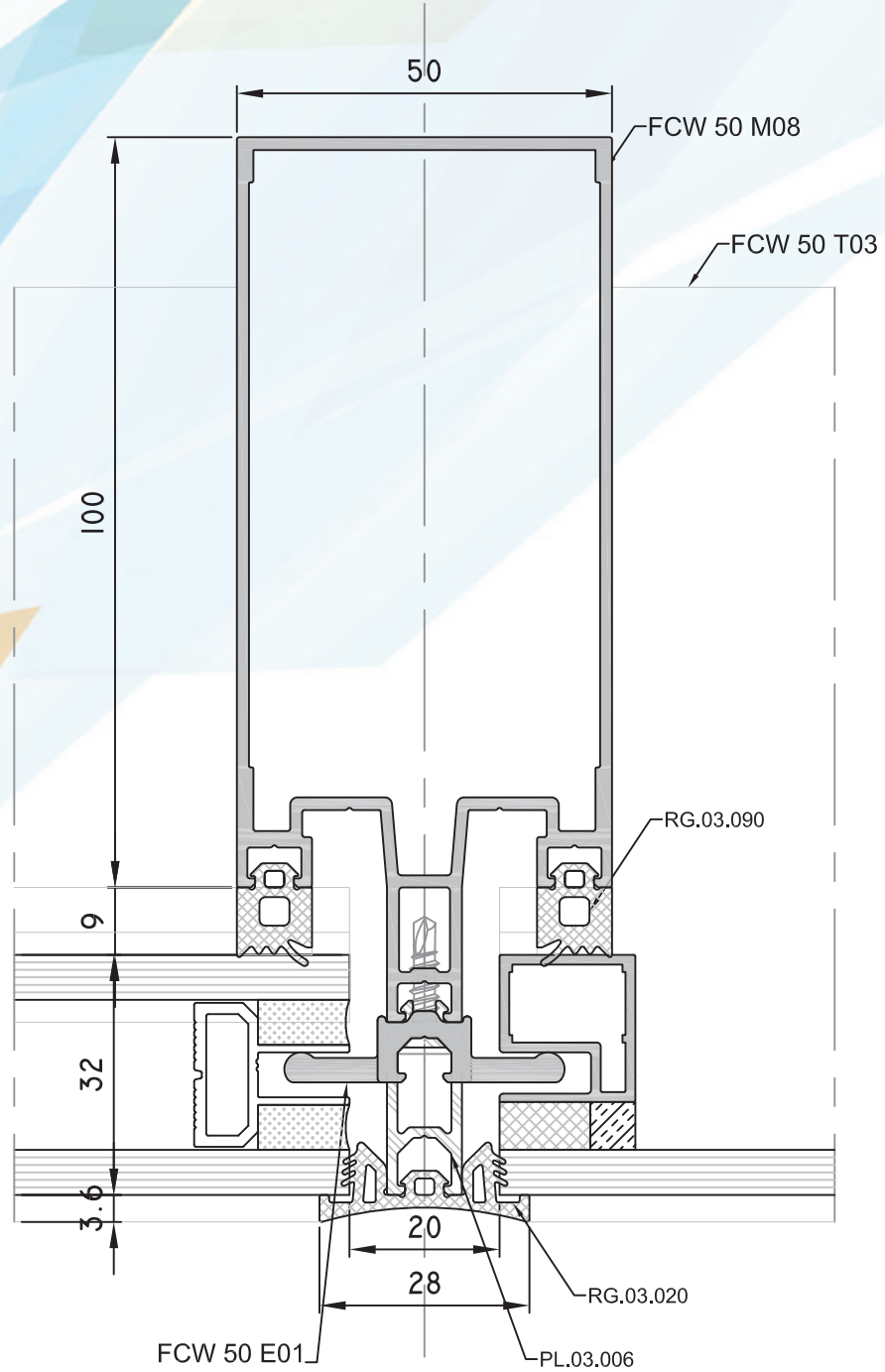


UYARI:

- Yüksekliği 10 metreye kadar olan binalarda uygulanmalıdır.
- Silikonlu kenarın 1m'den yüksek yarı kapaklı cephelerde cam içi bağlantı sisteminin uygulanması şarttır.

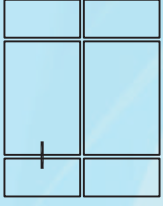


FOUR SIDE SİSTEM DÜŞEY DETAYI
FOUR SIDE VERTICAL DETAIL

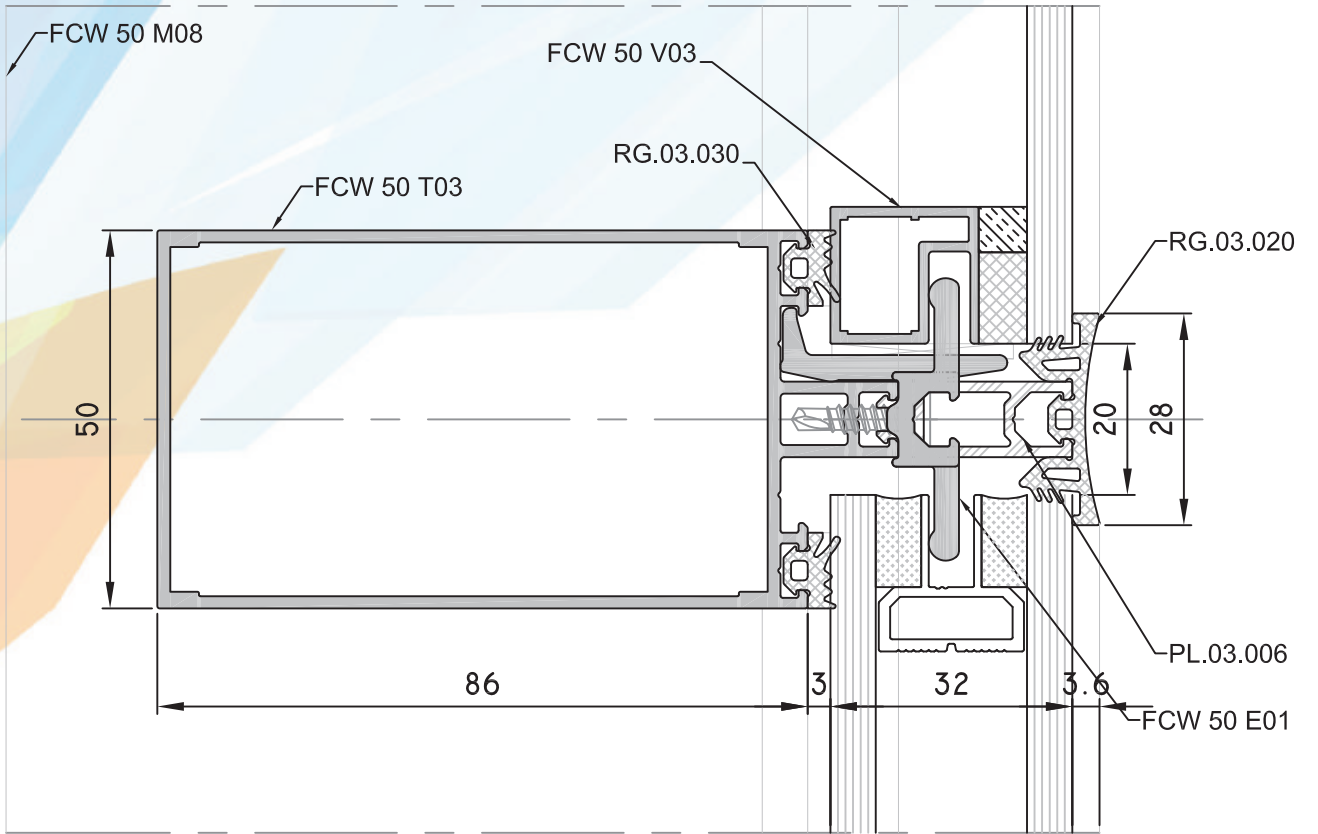


UYARI:

- Yüksekliği 10 metreye kadar olan binalarda uygulanmalıdır.
- Silikonlu kenarın 1m'den yüksek yarı kapaklı cephelerde cam içi bağlantı sisteminin uygulanması şarttır.



FOUR SIDE SİSTEM YATAY DETAYI
FOUR SIDE HORIZONTAL DETAIL

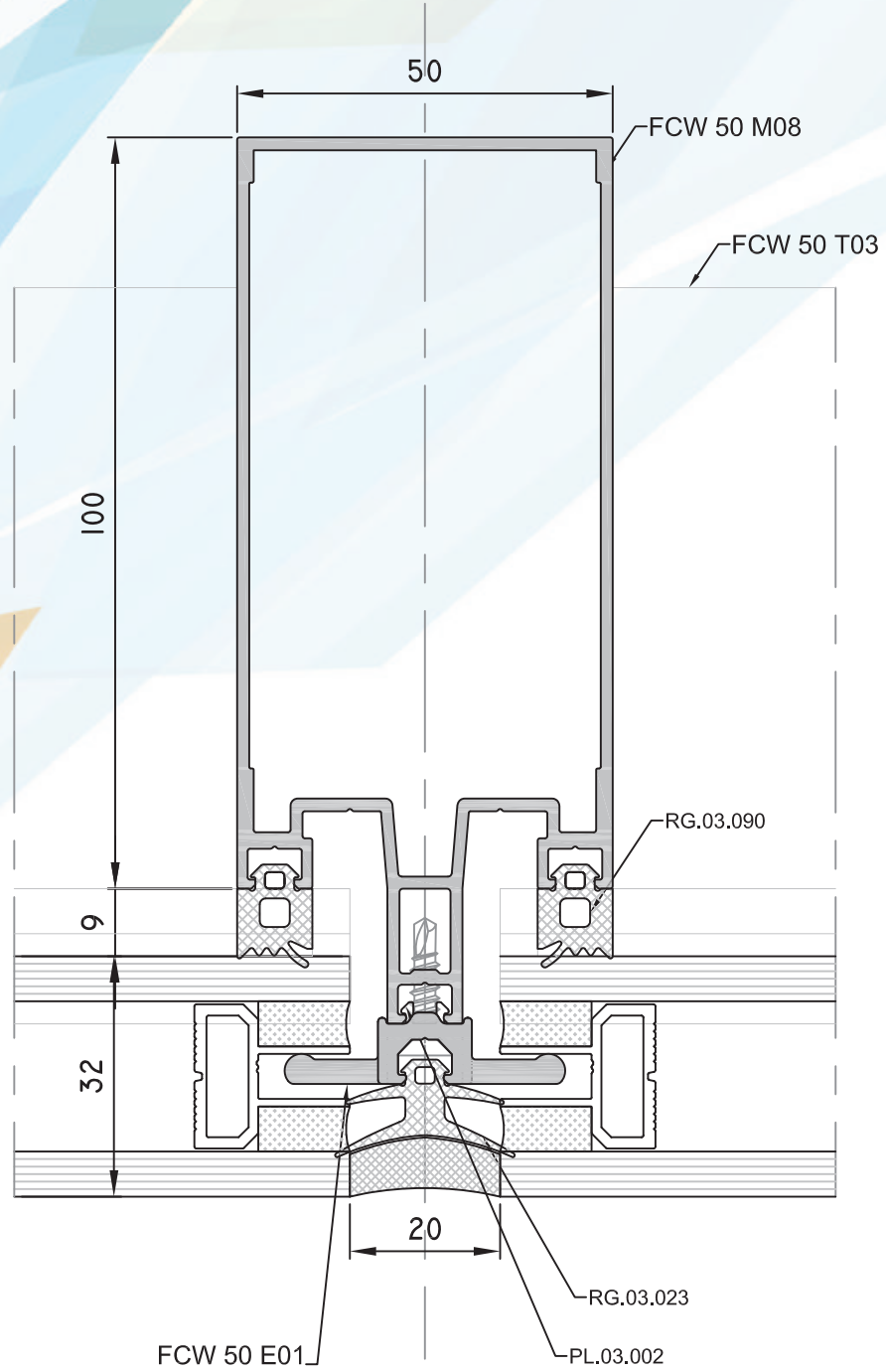


UYARI:

- Yüksekliği 10 metreye kadar olan binalarda uygulanmalıdır.
- Silikonlu kenarın 1m'den yüksek yarı kapaklı cephelerde cam içi bağlantı sisteminin uygulanması şarttır.

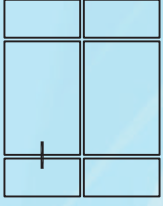


FOUR SIDE SİSTEM DÜŞEY DETAYI
FOUR SIDE VERTICAL DETAIL

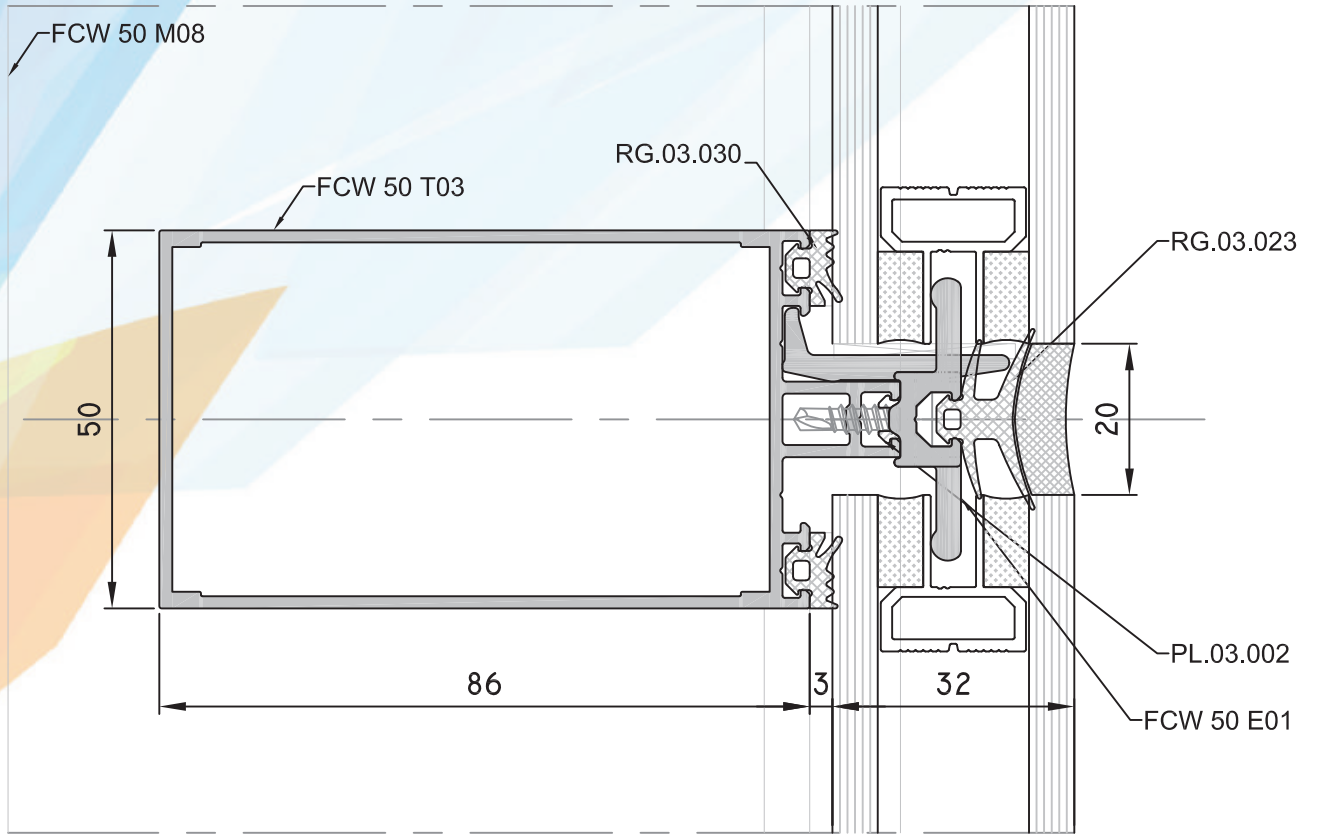


UYARI:

- Yüksekliği 10 metreye kadar olan binalarda uygulanmalıdır.
- Silikonlu kenarın 1m'den yüksek yarı kapaklı cephelerde cam içi bağlantı sisteminin uygulanması şarttır.

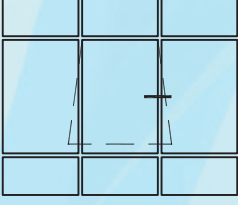


FOUR SIDE SİSTEM YATAY DETAYI
FOUR SIDE HORIZONTAL DETAIL

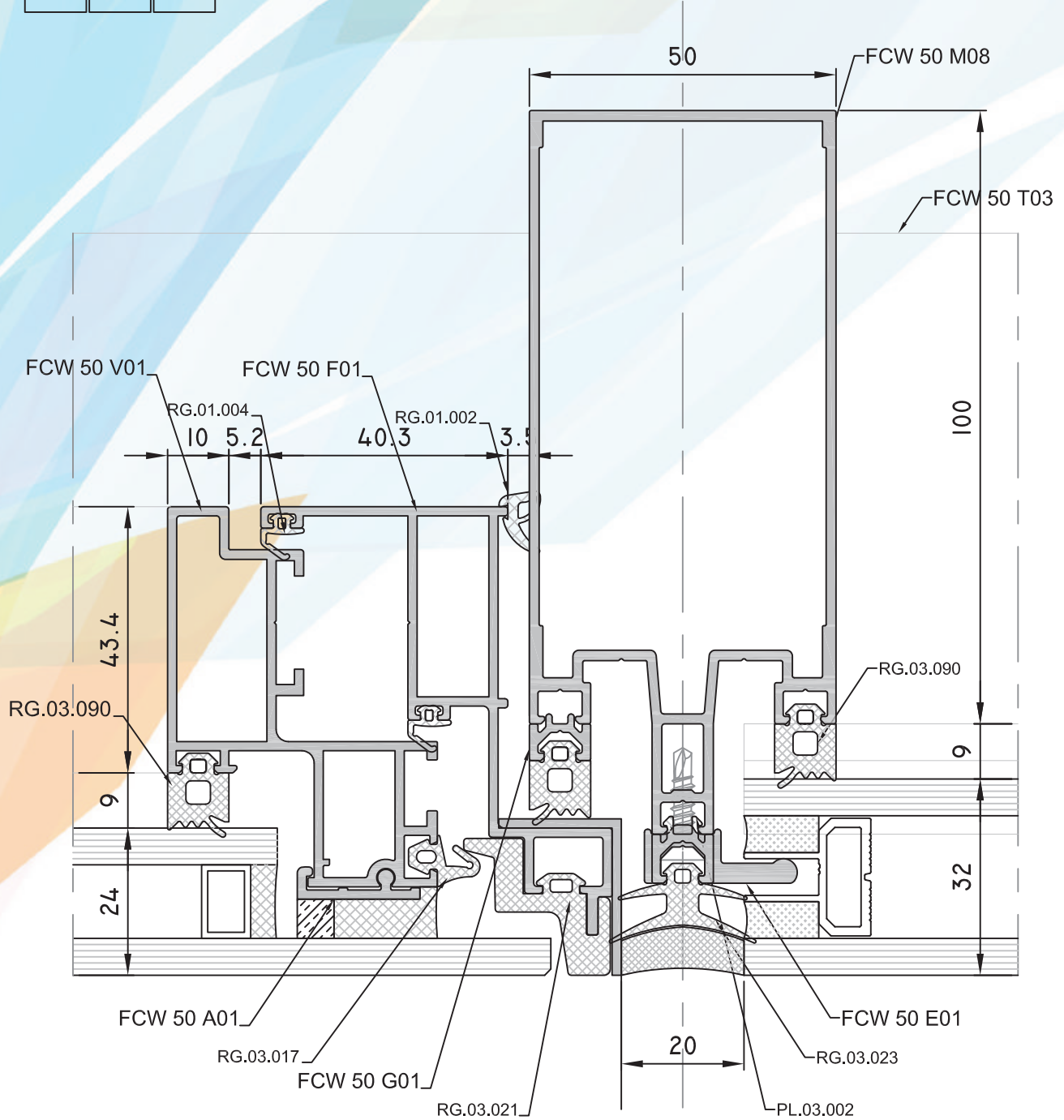


UYARI:

- Yüksekliği 10 metreye kadar olan binalarda uygulanmalıdır.
- Silikonlu kenarın 1m'den yüksek yarı kapaklı cephelerde cam içi bağlantı sisteminin uygulanması şarttır.

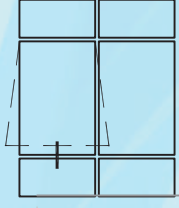


TWO SIDE SİSTEM DÜŞEY SİLİKON YATAY SİLİKON AÇILIR DÜŞEY DETAYI
TWO SIDE VERTICAL DETAIL

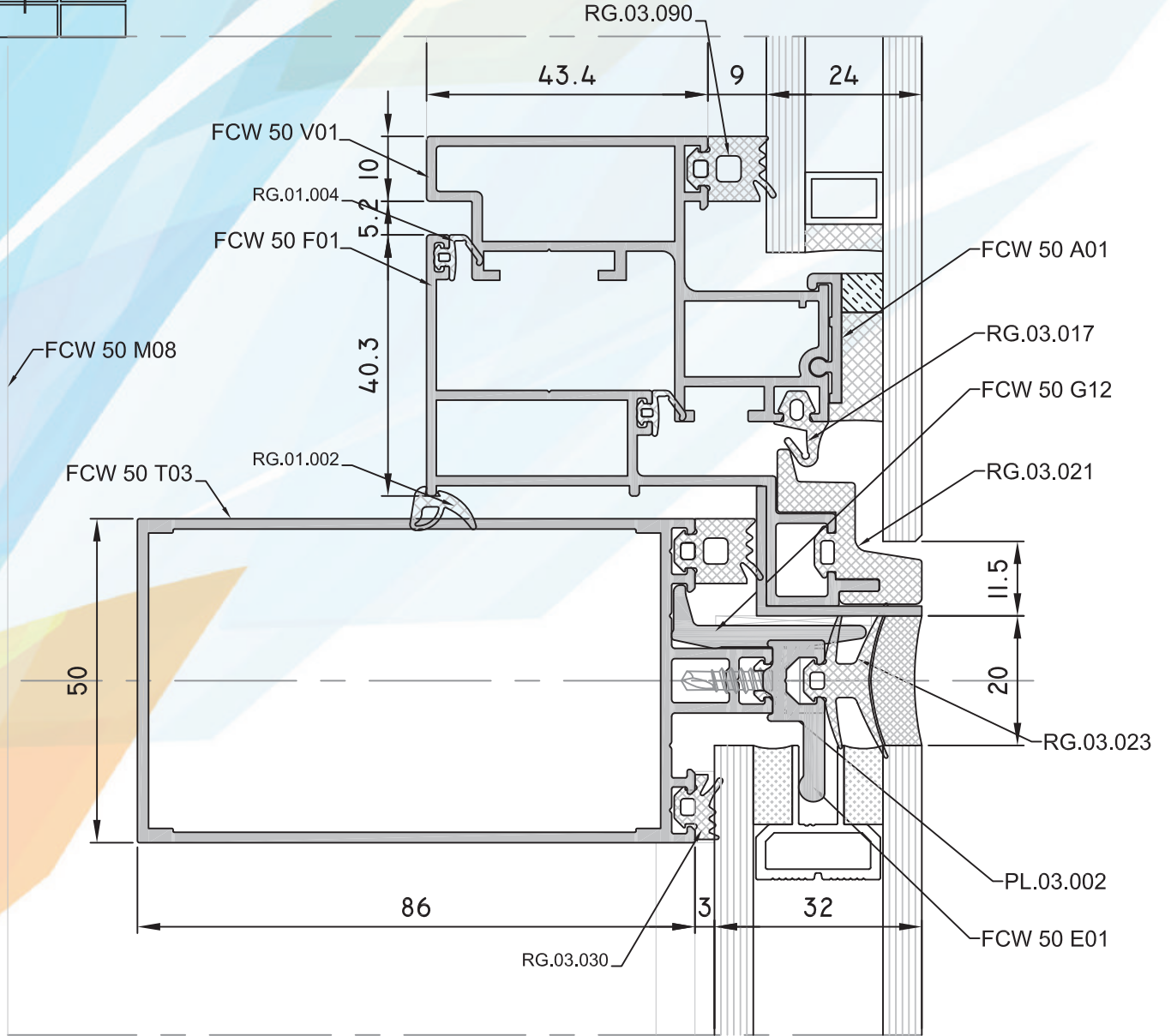


UYARI:

- Yüksekliği 10 metreye kadar olan binalarda uygulanmalıdır.
- Silikonlu kenarın 1m'den yüksek yarı kapaklı cephelerde cam içi bağlantı sisteminin uygulanması şarttır.



TWO SIDE SİSTEM DÜŞEY SİLİKON YATAY SİLİKON AÇILIR DÜŞEY DETAYI
TWO SIDE HORIZONTAL DETAIL

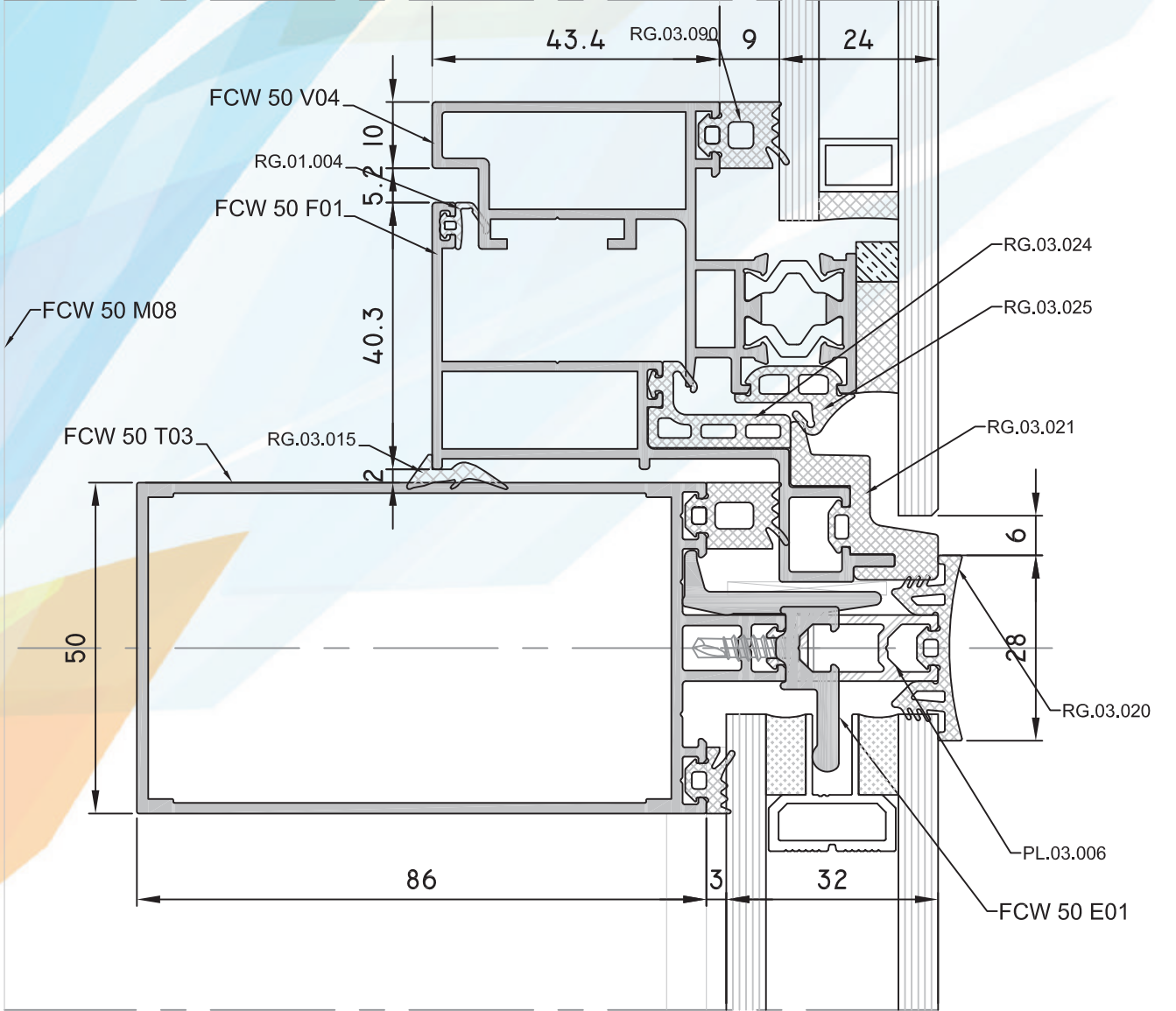


UYARI:

- Yüksekliği 10 metreye kadar olan binalarda uygulanmalıdır.
- Silikonlu kenarın 1m'den yüksek yarı kapaklı cephelerde cam içi bağlantı sisteminin uygulanması şarttır.

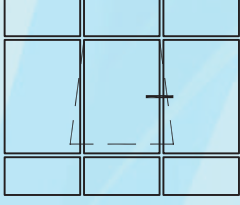


TWO SIDE SİSTEM DÜŞEY SİLİKON YATAY SİLİKON AÇILIR DÜŞEY DETAYI
TWO SIDE HORIZONTAL DETAIL

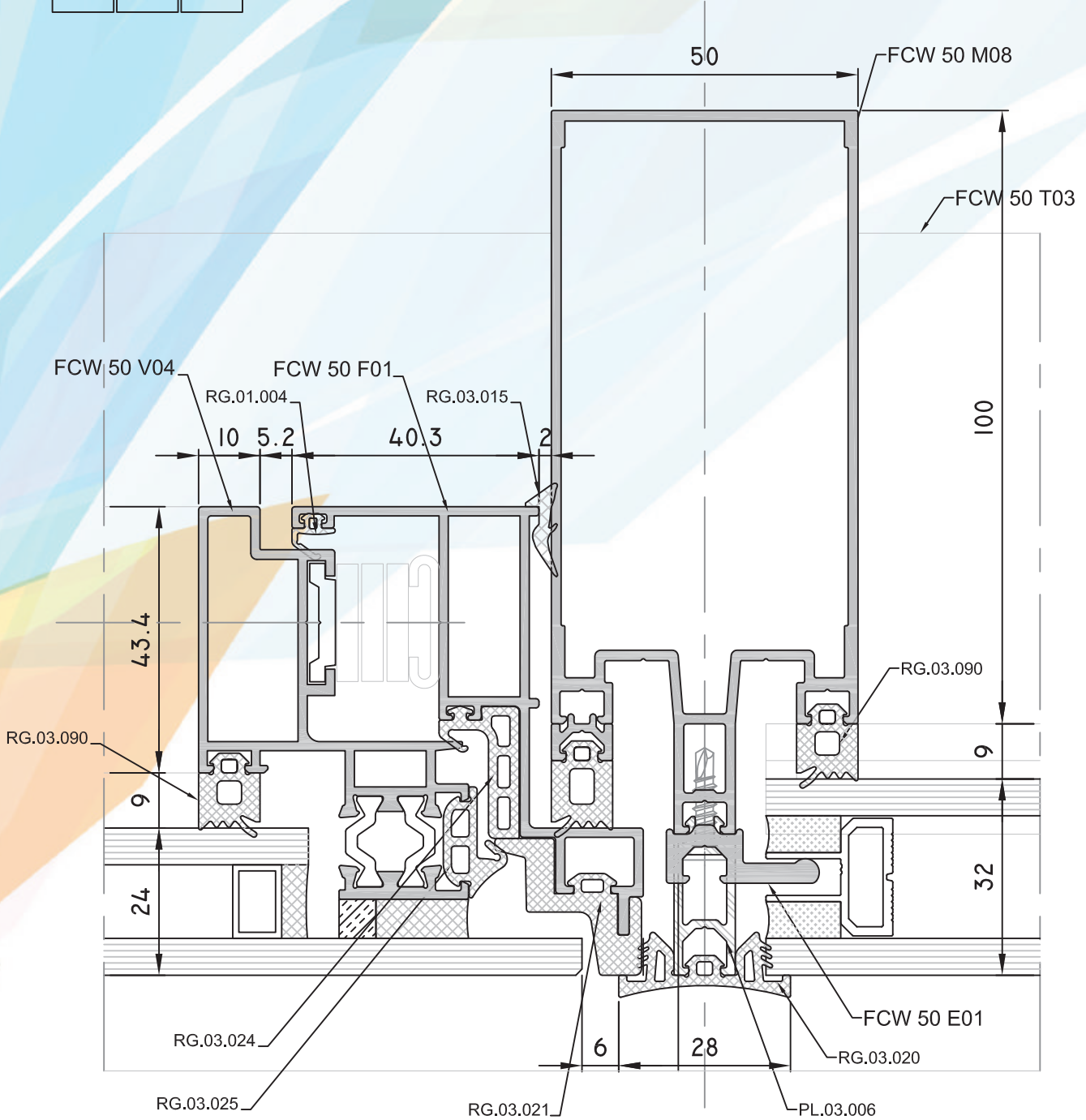


UYARI:

- Yüksekliği 10 metreye kadar olan binalarda uygulanmalıdır.
- Silikonlu kenarın 1m'den yüksek yarı kapaklı cephelerde cam içi bağlantı sisteminin uygulanması şarttır.

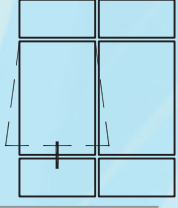


TWO SIDE SİSTEM DÜŞEY SİLİKON YATAY SİLİKON AÇILIR DÜŞEY DETAYI
TWO SIDE VERTICAL DETAIL

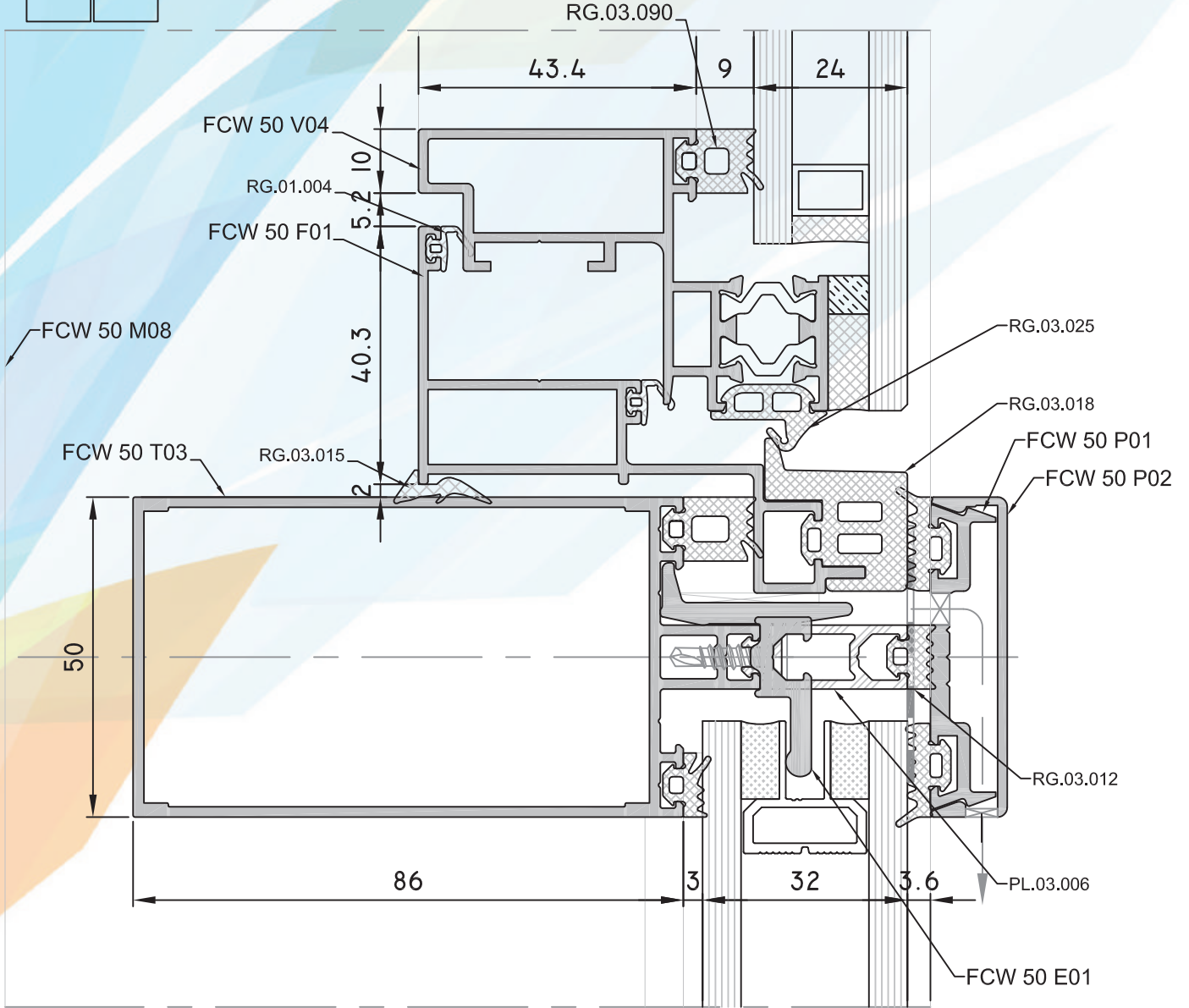


UYARI:

- Yüksekliği 10 metreye kadar olan binalarda uygulanmalıdır.
- Silikonlu kenarın 1m'den yüksek yarı kapaklı cephelerde cam içi bağlantı sisteminin uygulanması şarttır.

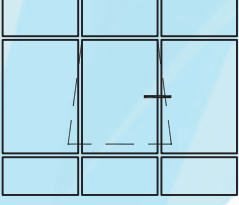


TWO SIDE SİSTEM DÜŞEY SİLİKON YATAY SİLİKON AÇILIR YATAY DETAYI
TWO SIDE HORIZONTAL DETAIL

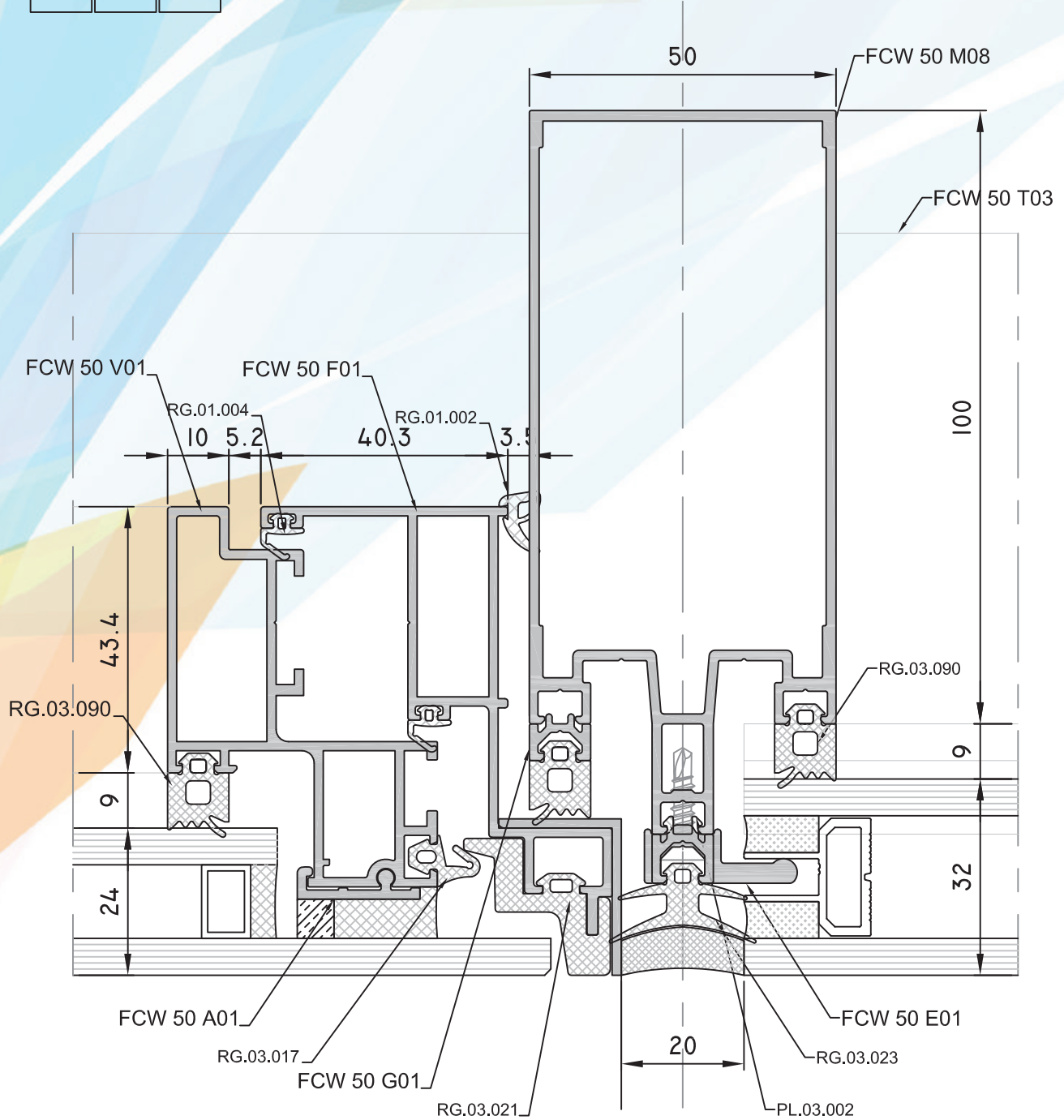


UYARI:

- Yüksekliği 10 metreye kadar olan binalarda uygulanmalıdır.
- Silikonlu kenarın 1m'den yüksek yarı kapaklı cephelerde cam içi bağlantı sisteminin uygulanması şarttır.

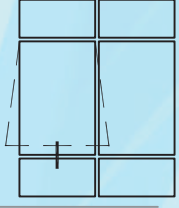


TWO SIDE SİSTEM DÜŞEY SİLİKON YATAY SİLİKON AÇILIR DÜŞEY DETAYI
TWO SIDE VERTICAL DETAIL

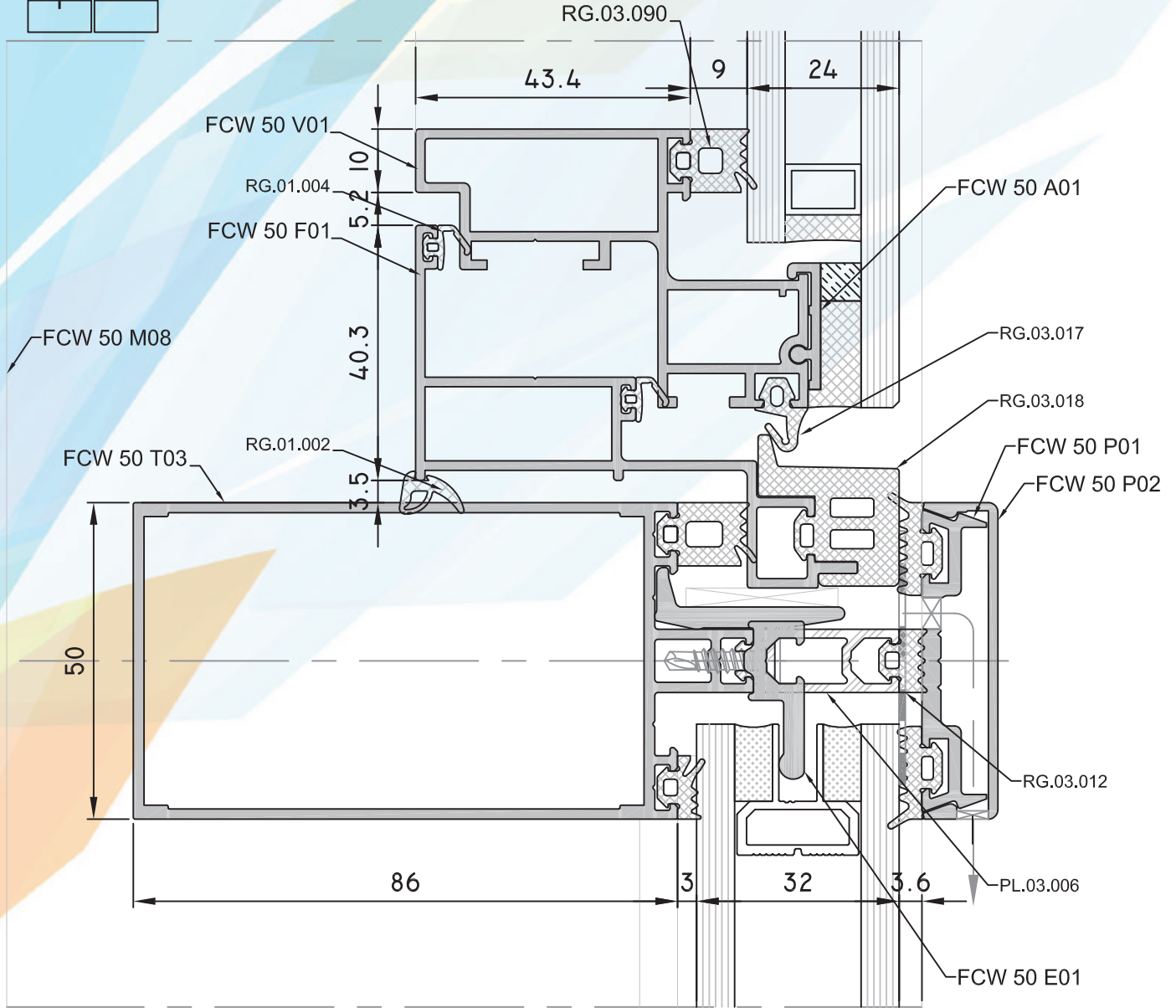


UYARI:

- Yüksekliği 10 metreye kadar olan binalarda uygulanmalıdır.
- Silikonlu kenarın 1m'den yüksek yarı kapaklı cephelerde cam içi bağlantı sisteminin uygulanması şarttır.

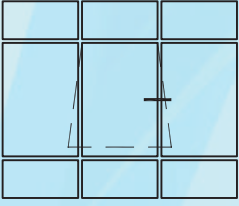


TWO SIDE SİSTEM DÜŞEY SİLİKON YATAY SİLİKON AÇILIR YATAY DETAYI
TWO SIDE HORIZONTAL DETAIL

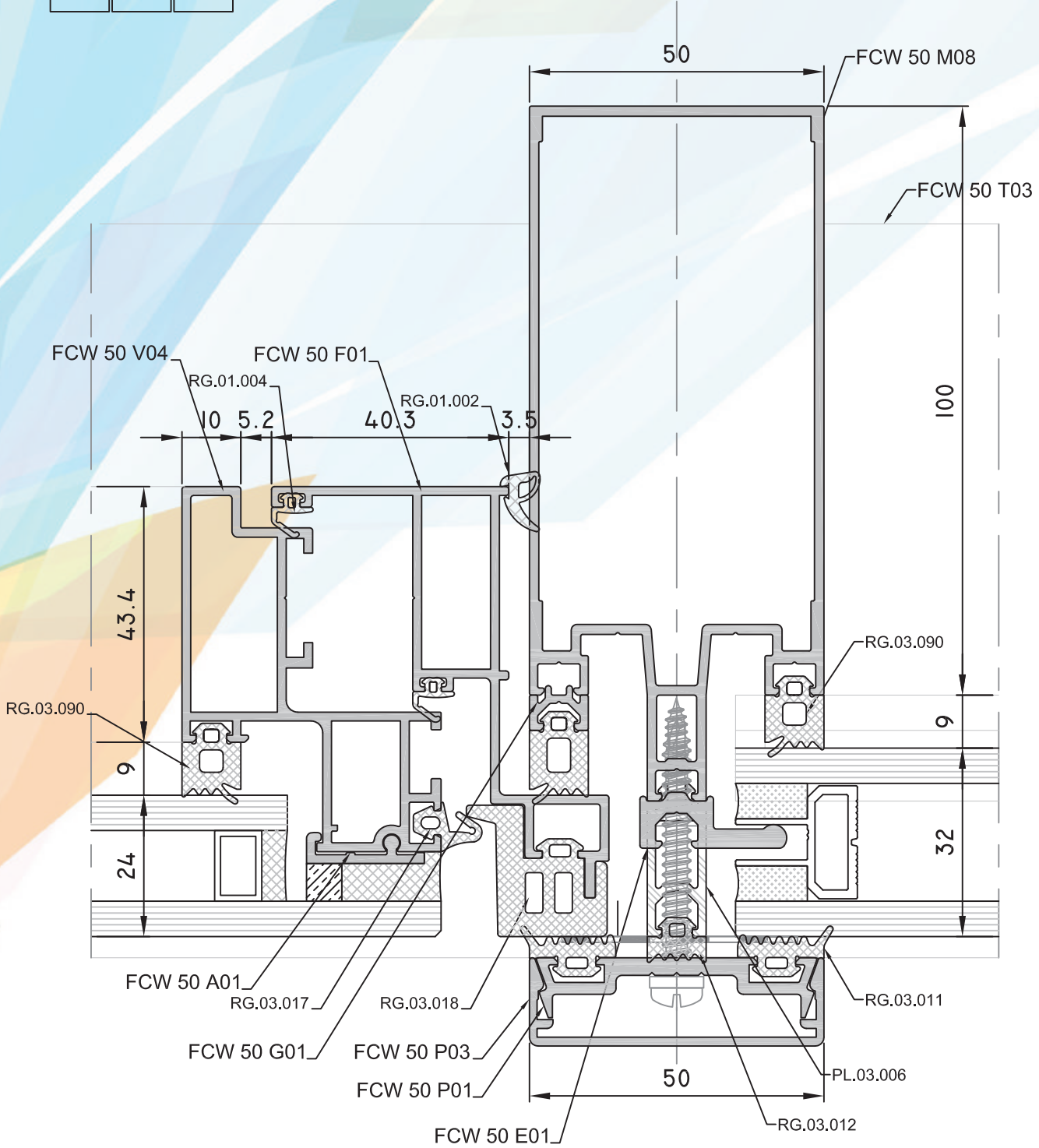


UYARI:

- Yüksekliği 10 metreye kadar olan binalarda uygulanmalıdır.
- Silikonlu kenarın 1m'den yüksek yarı kapaklı cephelerde cam içi bağlantı sisteminin uygulanması şarttır.

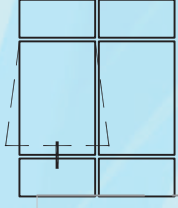


TWO SIDE SİSTEM DÜŞEY SİLİKON YATAY SİLİKON AÇILIR DÜŞEY DETAYI
TWO SIDE VERTICAL DETAIL

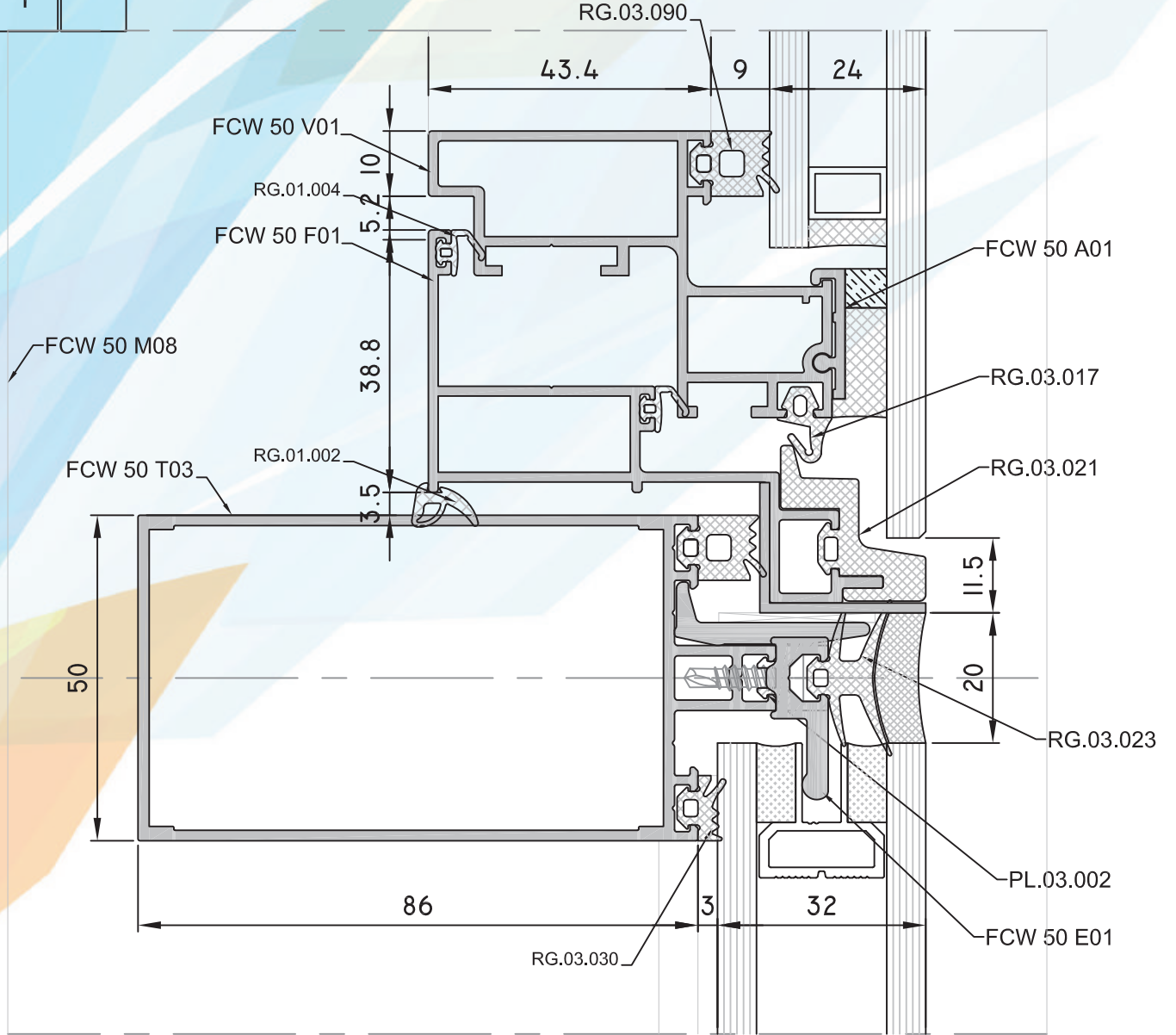


UYARI:

- Yüksekliği 10 metreye kadar olan binalarda uygulanmalıdır.
- Silikonlu kenarın 1m'den yüksek yarı kapaklı cephelerde cam içi bağlantı sisteminin uygulanması şarttır.



TWO SIDE SİSTEM DÜŞEY SİLİKON YATAY SİLİKON AÇILIR YATAY DETAYI
TWO SIDE HORIZONTAL DETAIL

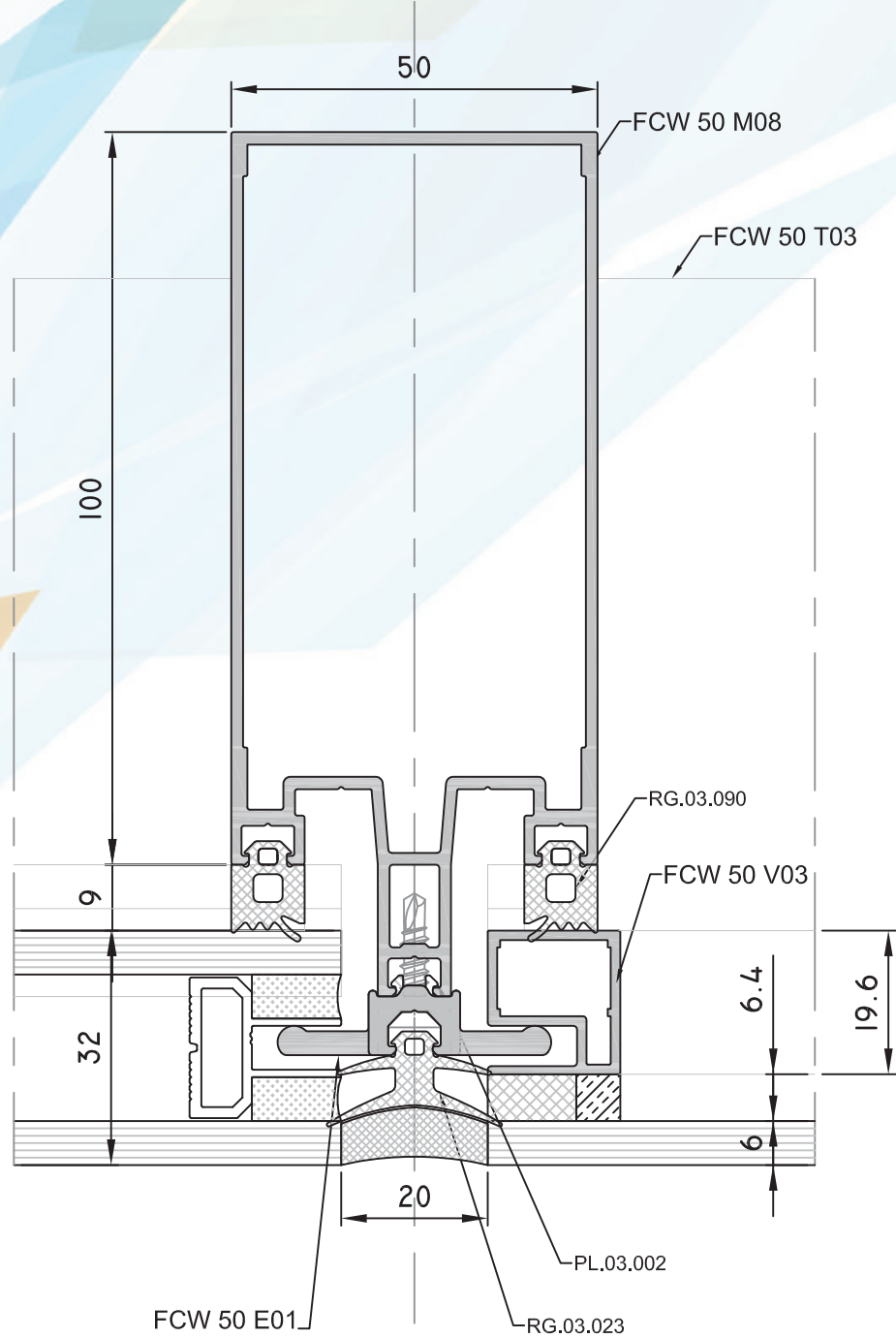


UYARI:

- Yüksekliği 10 metreye kadar olan binalarda uygulanmalıdır.
- Silikonlu kenarın 1m'den yüksek yarı kapaklı cephelerde cam içi bağlantı sisteminin uygulanması şarttır.

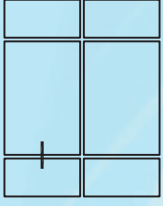


FOUR SIDE SİSTEM DÜŞEY DETAYI
FOUR SIDE VERTICAL DETAIL

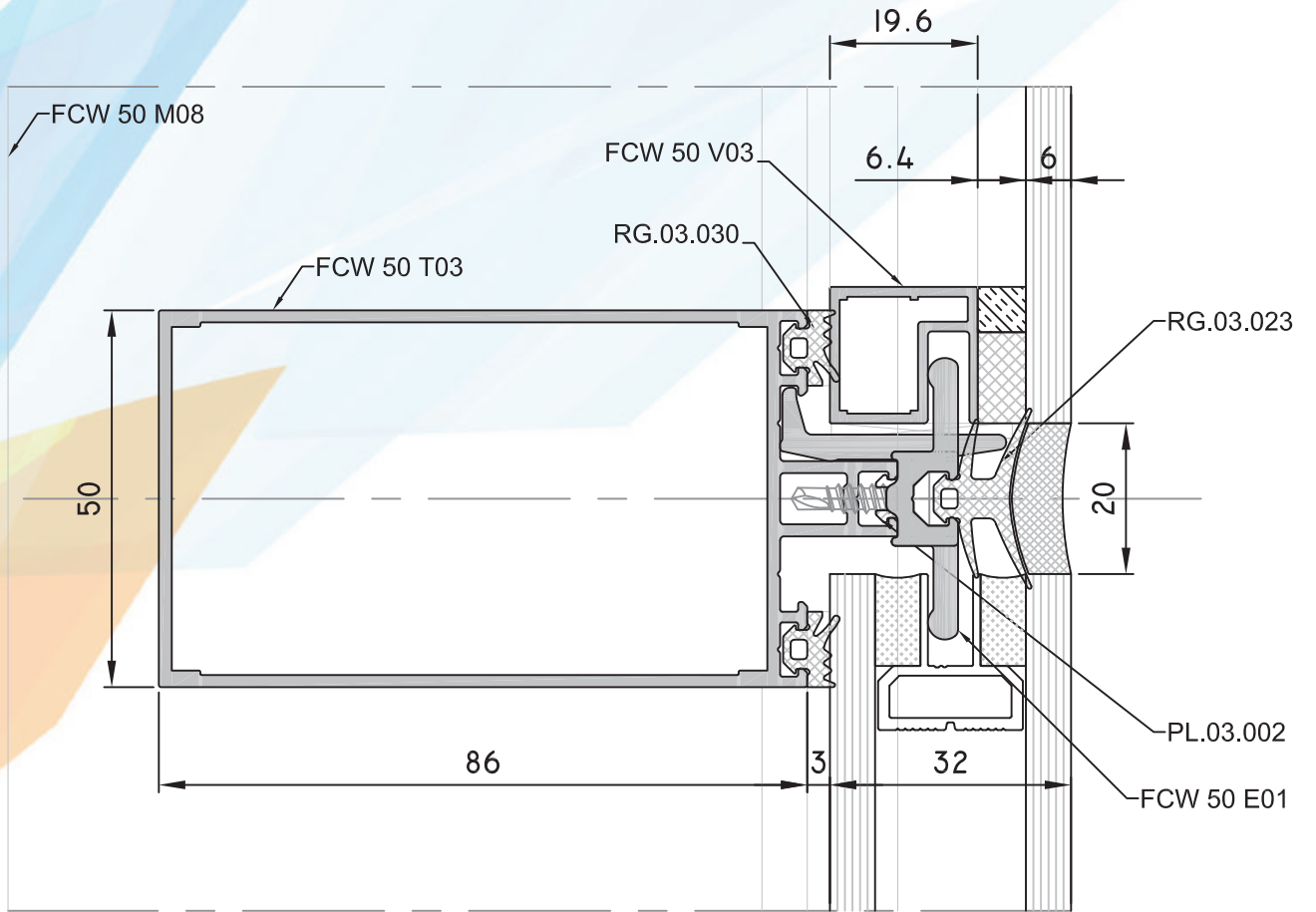


UYARI:

- Yüksekliği 10 metreye kadar olan binalarda uygulanmalıdır.
- Silikonlu kenarın 1m'den yüksek yarı kapaklı cephelerde cam içi bağlantı sisteminin uygulanması şarttır.



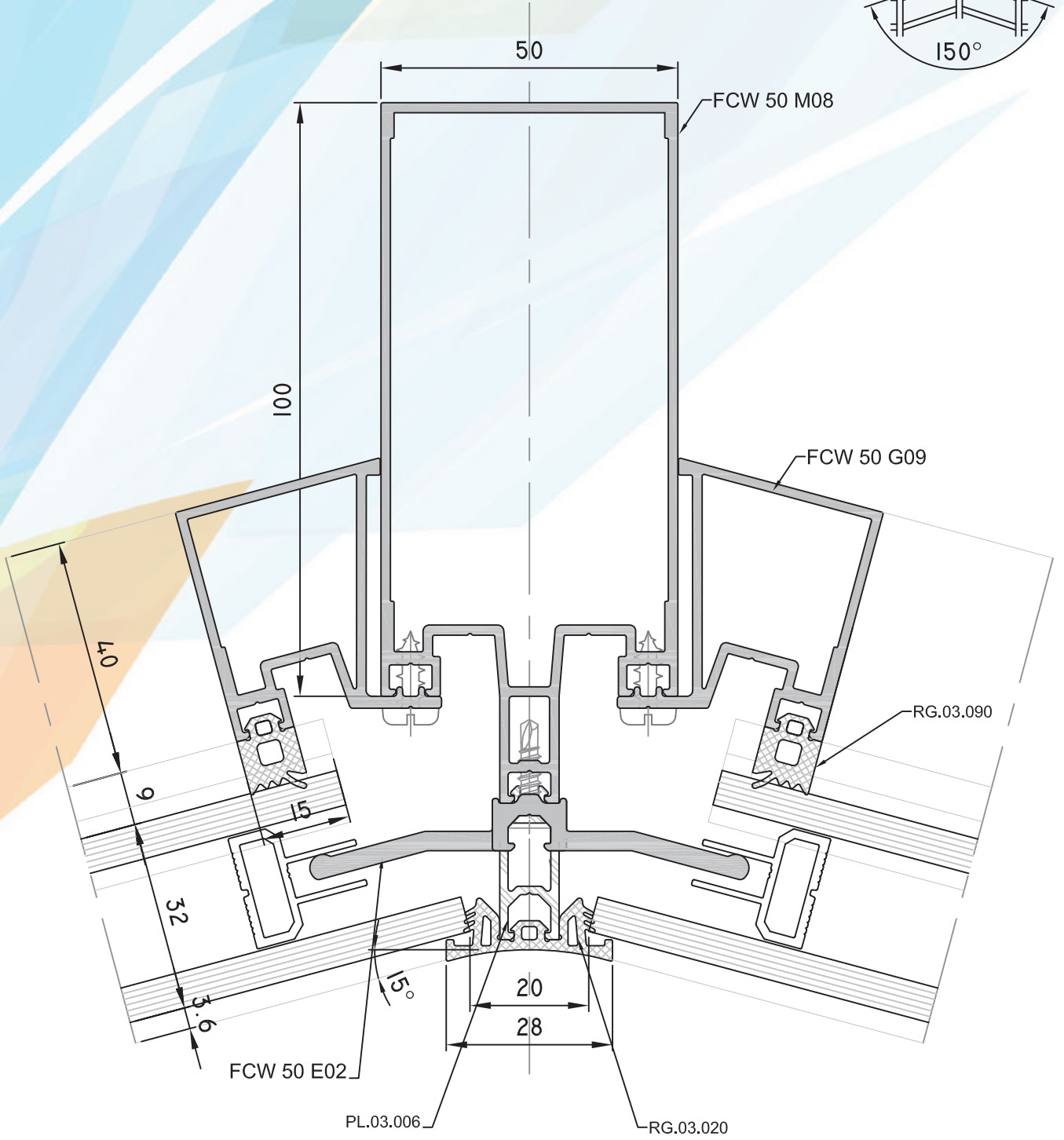
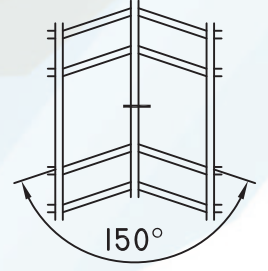
FOUR SIDE SİSTEM YATAY DETAYI
FOUR SIDE HORIZONTAL DETAIL



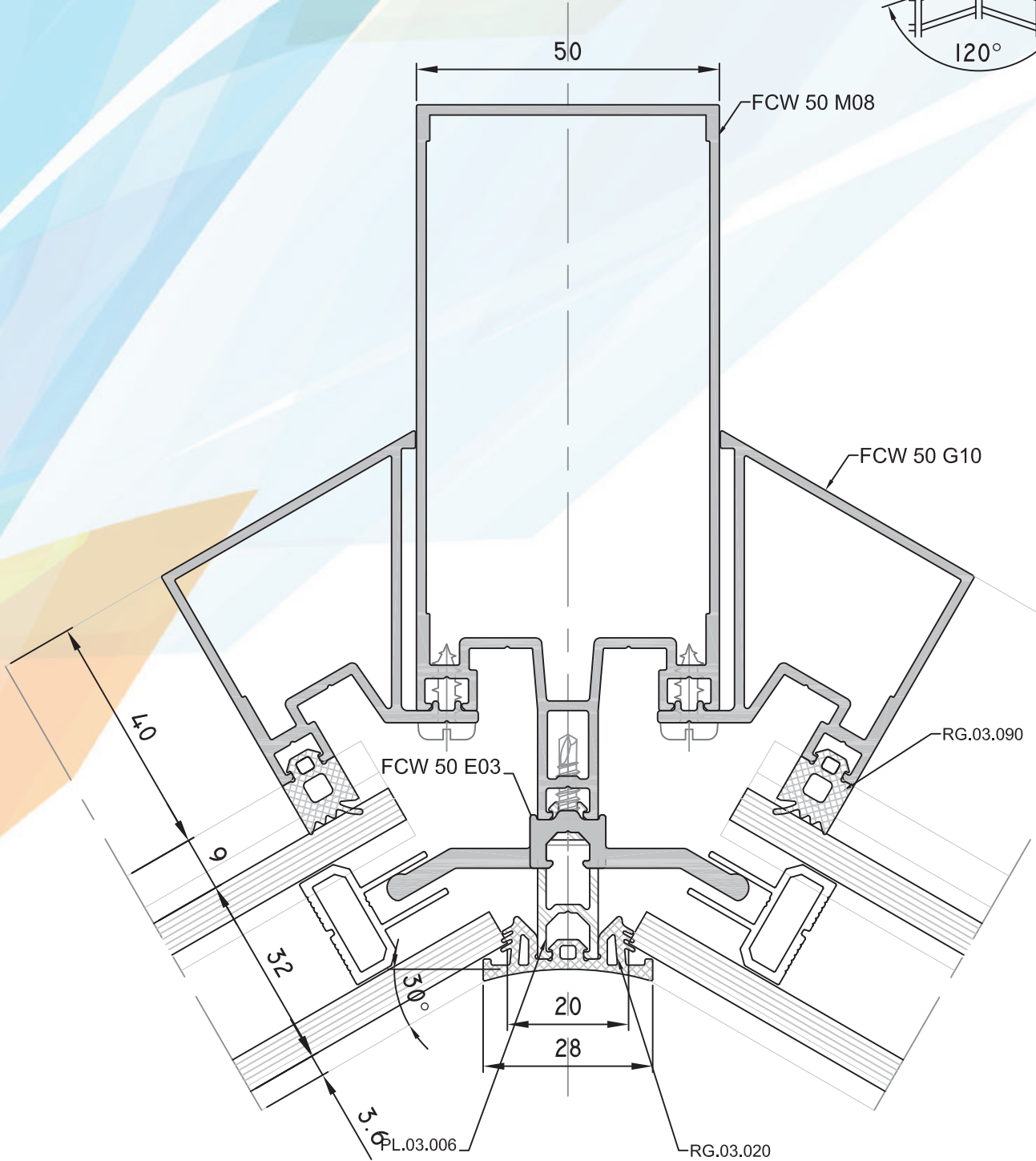
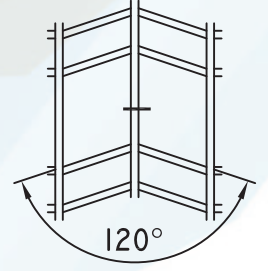
UYARI:

- Yüksekliği 10 metreye kadar olan binalarda uygulanmalıdır.
- Silikonlu kenarın 1m'den yüksek yarı kapaklı cephelerde cam içi bağlantı sisteminin uygulanması şarttır.

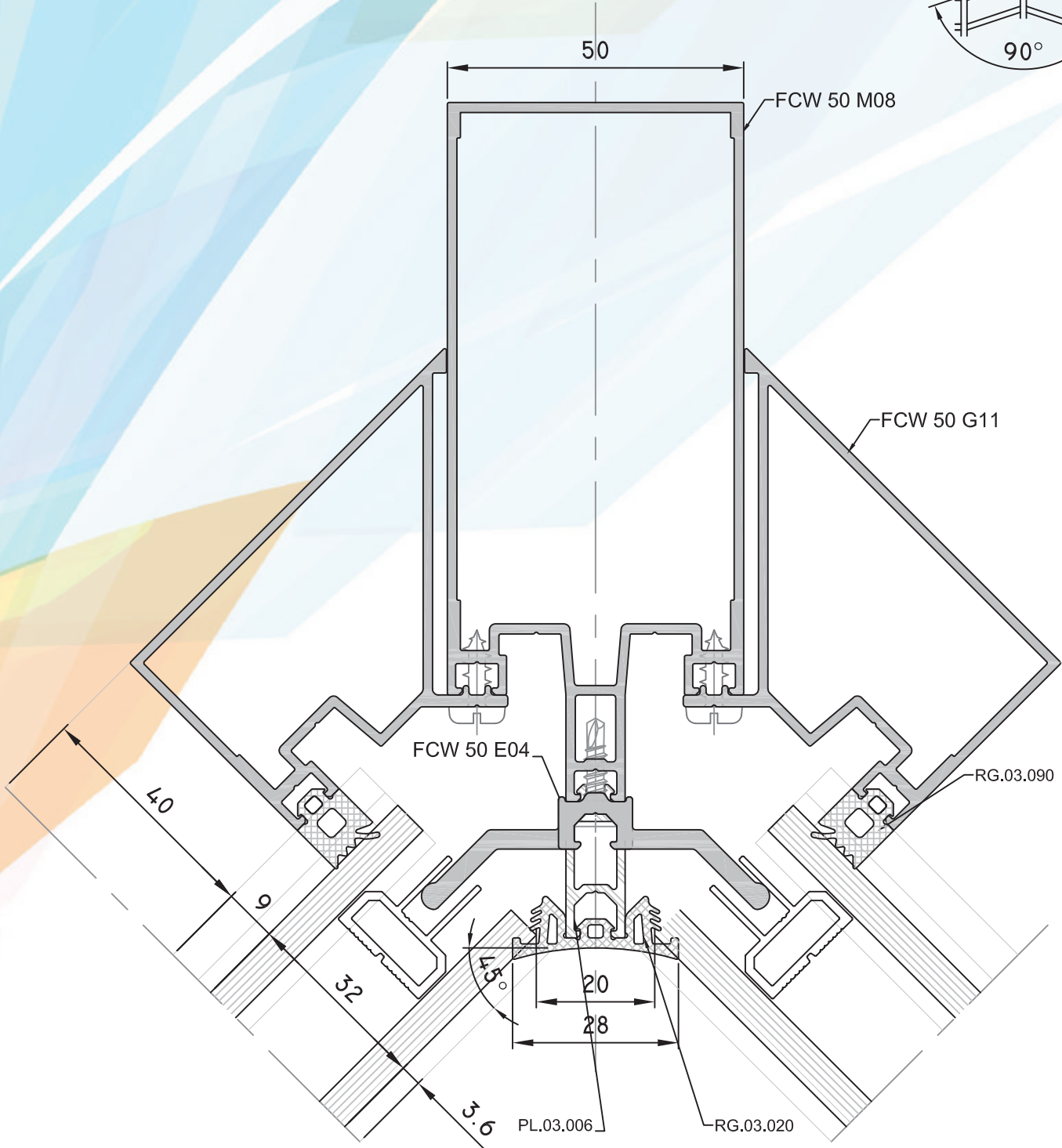
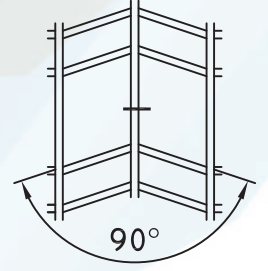
150° DIŐ AÇILI KAPAKLI CEPHE DÜŐEY DETAYI
150° ANGULAR CURTAIN WALL VERTICAL DETAIL



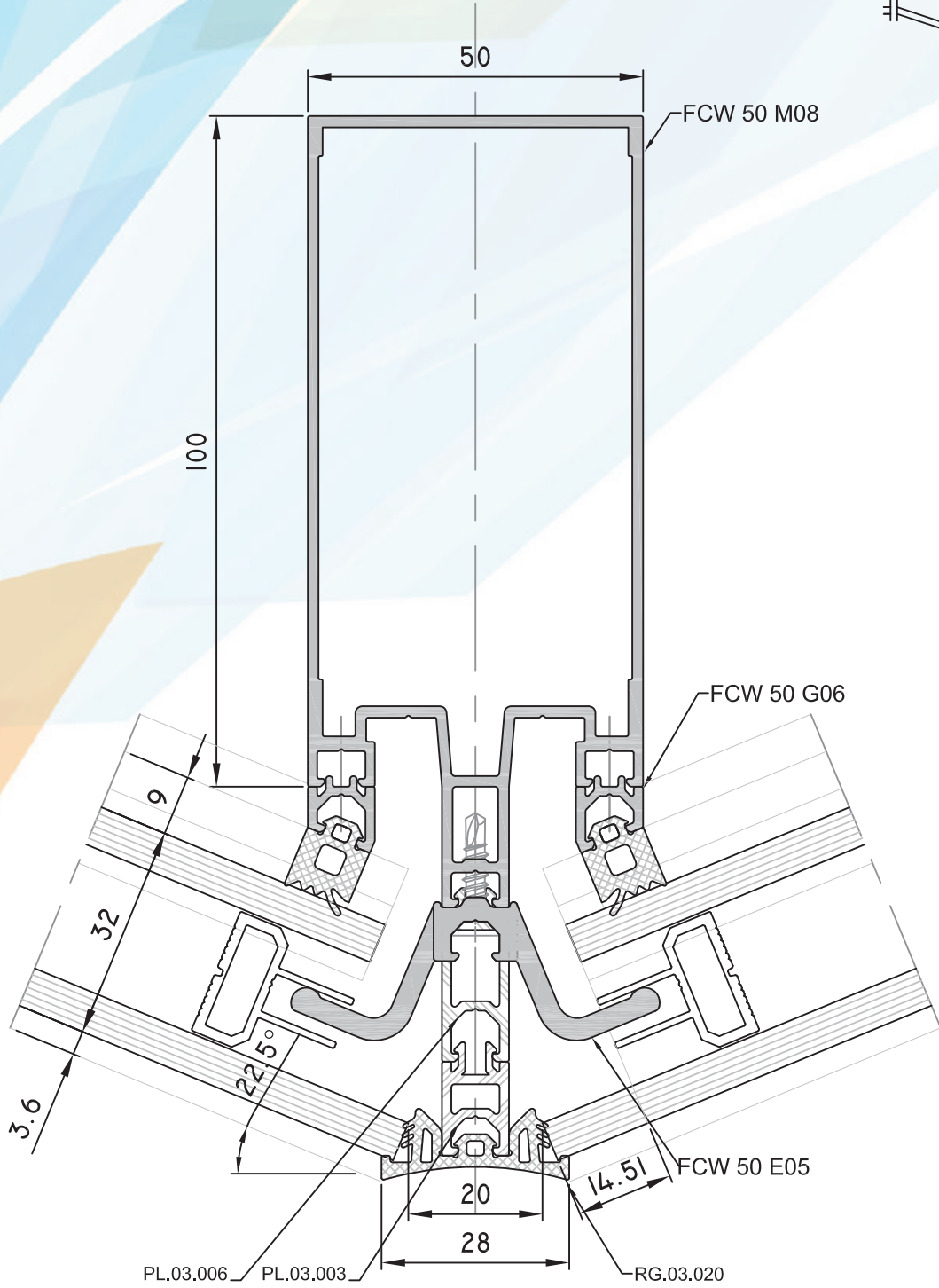
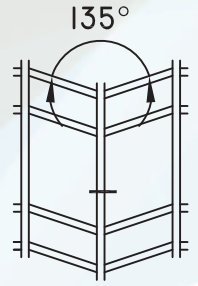
120° DIŞ AÇILI KAPAKLI CEPHE DÜŞEY DETAYI
120° ANGULAR CURTAIN WALL VERTICAL DETAIL



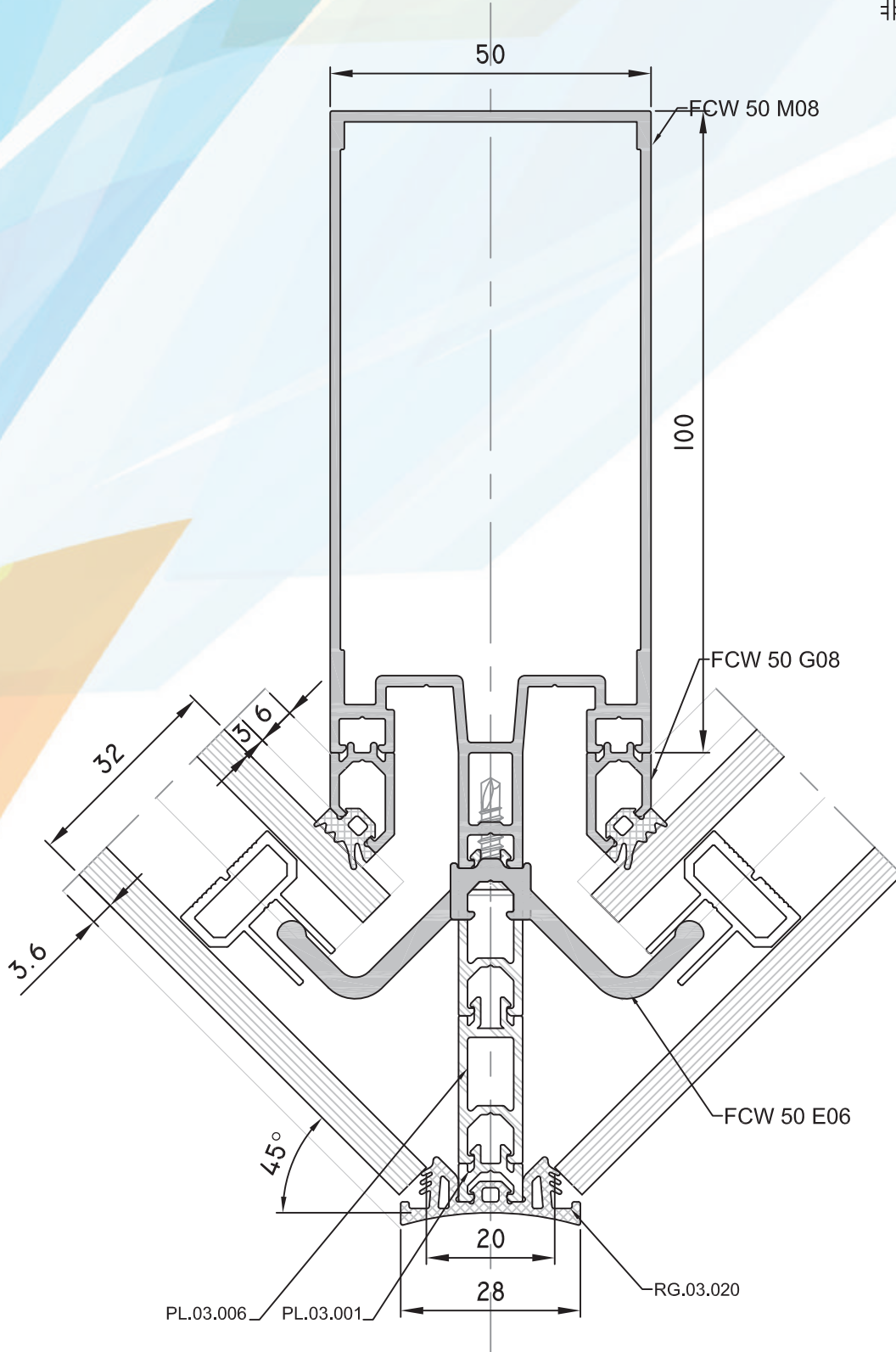
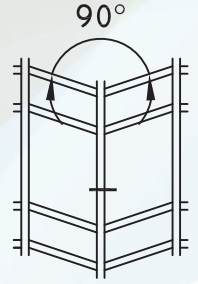
90° DIŞ AÇILI KAPAKLI CEPHE DÜŞEY DETAYI
90° ANGULAR CURTAIN WALL VERTICAL DETAIL



135° İÇ AÇILI KAPAKLI CEPHE DÜŞEY DETAYI
135° ANGULAR CURTAIN WALL VERTICAL DETAIL



90° İÇ AÇILI KAPAKLI CEPHE DÜŞEY DETAYI
90° ANGULAR CURTAIN WALL VERTICAL DETAIL





seral[®]

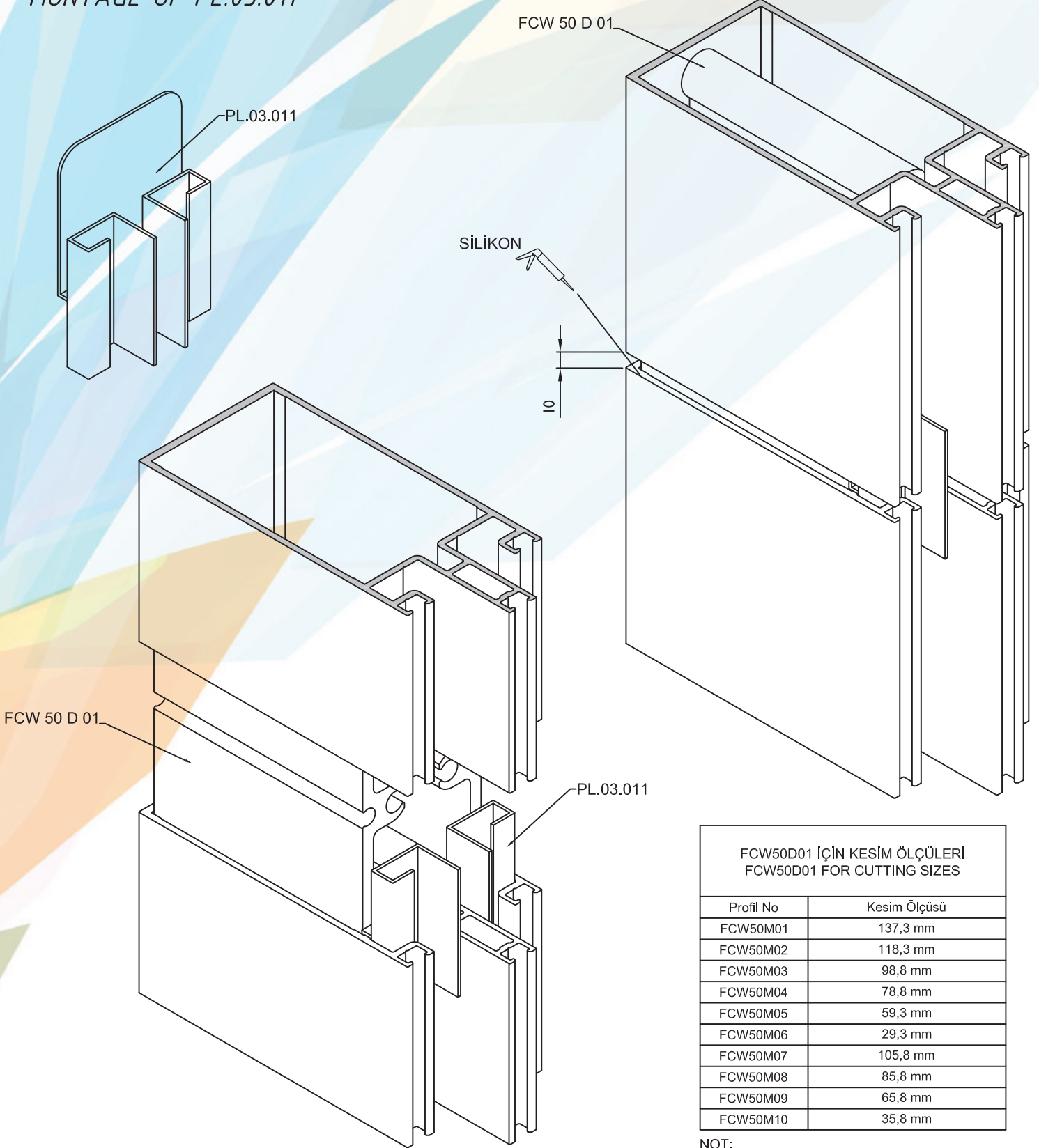
ALUMINIUM & STEEL

*Montaj izimleri / Assembly
Drawings*

DİLETASYON KAPAK MONTAJI**MONTAGE OF PL.03.011**

!!!UYARI:

*** ÜSTTEKİ PROFİL 5 MM BOŞLUK KALACAK ŞEKİLDE GEÇİRİLİR, TÜM EK YERİ SİLİKON İLE DOLDURULUR.

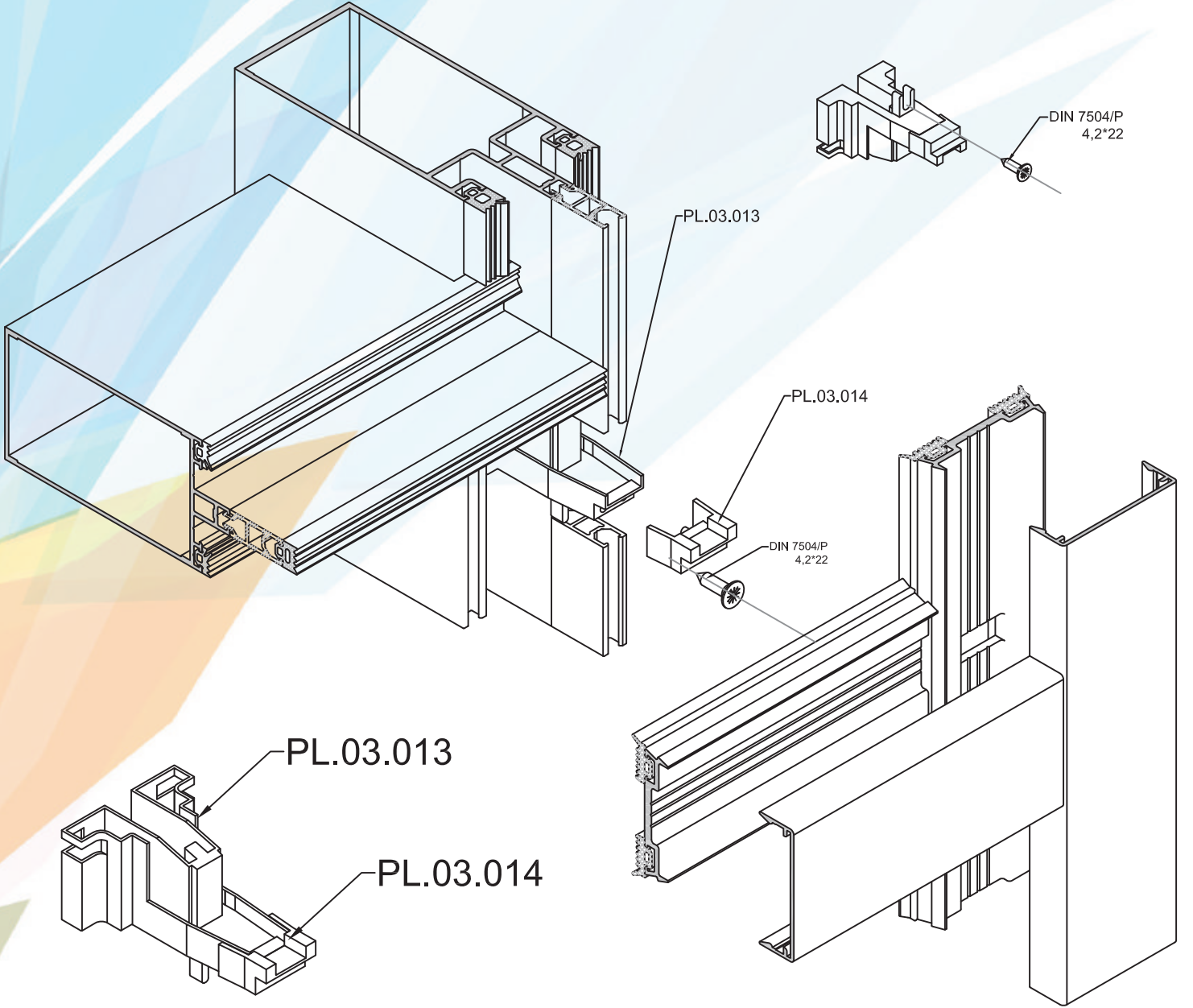
FCW50D01 İÇİN KESİM ÖLÇÜLERİ
FCW50D01 FOR CUTTING SIZES

Profil No	Kesim Ölçüsü
FCW50M01	137,3 mm
FCW50M02	118,3 mm
FCW50M03	98,8 mm
FCW50M04	78,8 mm
FCW50M05	59,3 mm
FCW50M06	29,3 mm
FCW50M07	105,8 mm
FCW50M08	85,8 mm
FCW50M09	65,8 mm
FCW50M10	35,8 mm

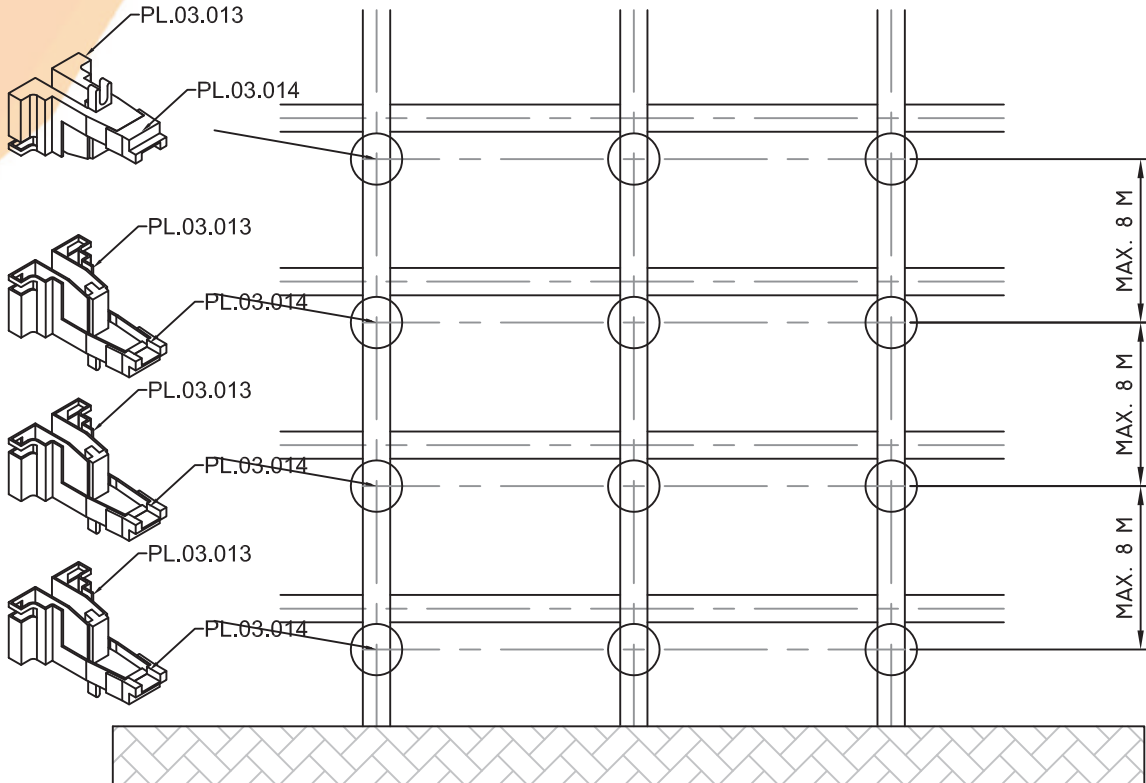
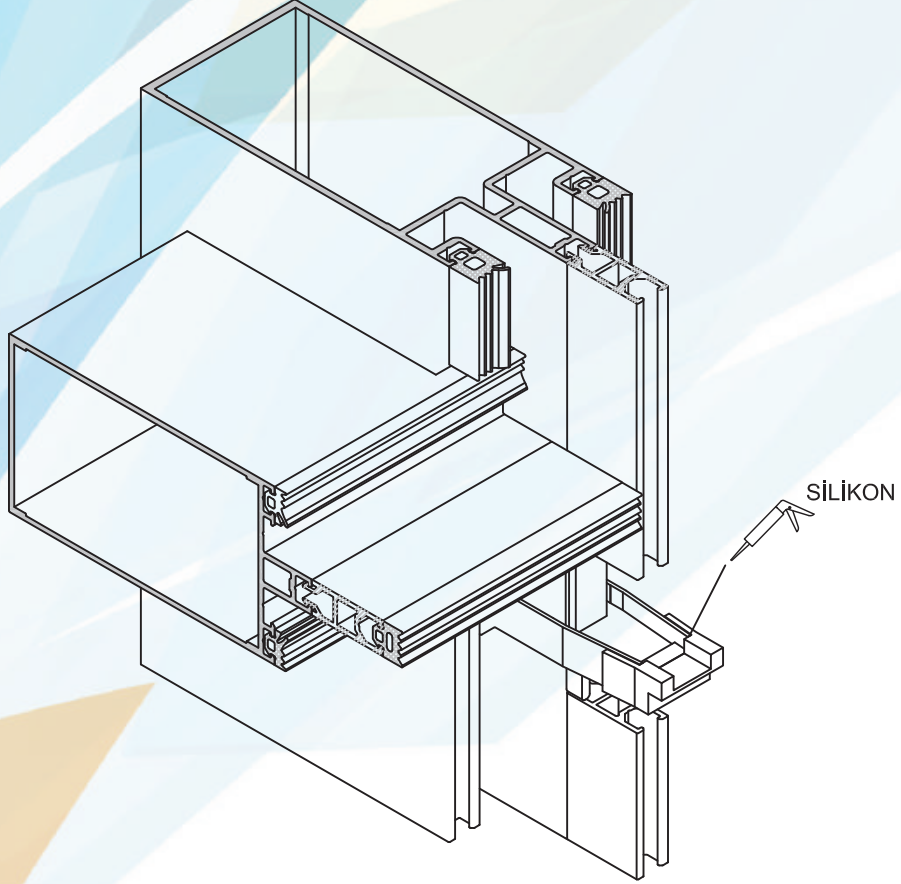
NOT:

PL.03.011 KODLU DİLETASYON KAPAĞI
KULLANILDIĞINDA FCW50D01 DİLETASYON
PROFİLİ 1 MM KISA KESİLECEKTİR.

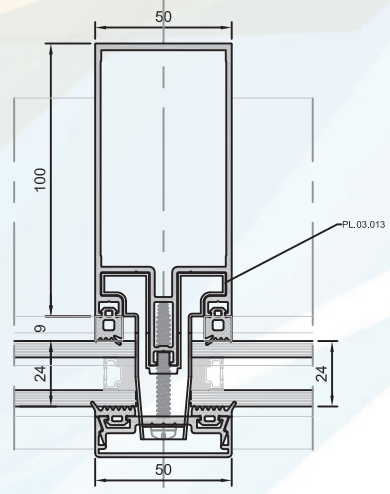
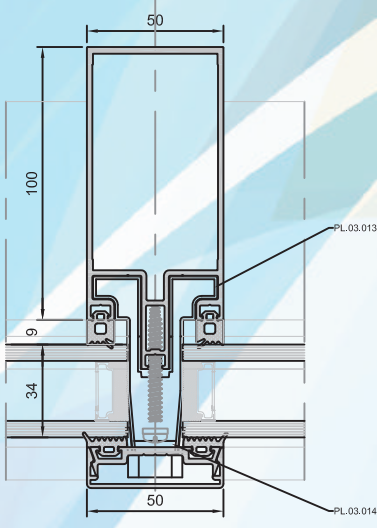
DÜŞEY TAHLİYE PARÇASI MONTAJI
MONTAGE OF PL.03.013-PL.03.014



DÜŞEY TAHLİYE PARÇASI MONTAJI
MONTAGE OF PL.03.013-PL.03.014



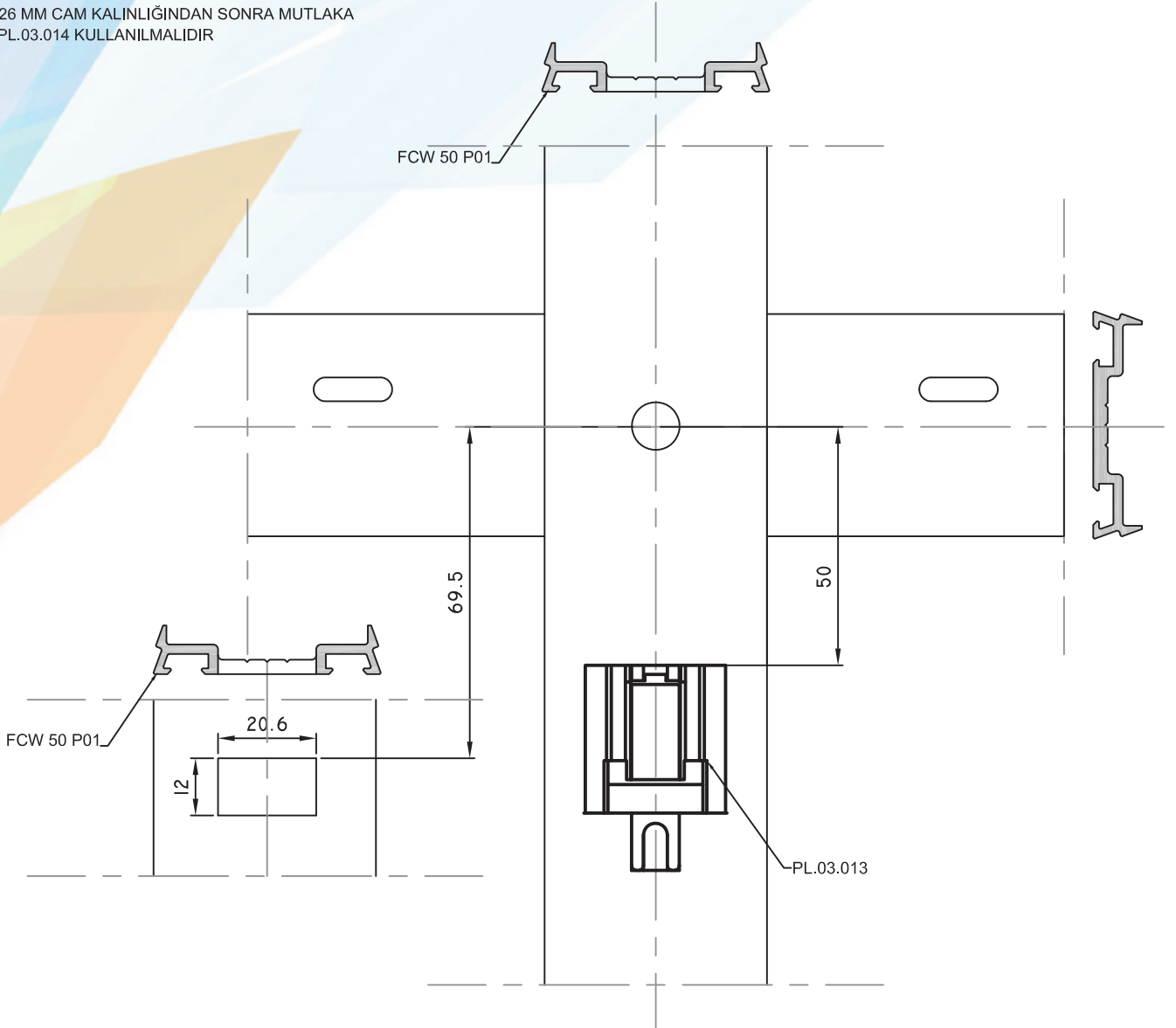
FCW 50 P 01 İÇİN KERTME İŞLEMİ
OPERATION OF FCW 50 P 01



!!!UYARI:

*** PL.03.013-PL.03.014 SİLİKONLANARAK TAKILIR.
26 MM CAM KALINLIĞINDAN SONRA MUTLAKA
PL.03.014 KULLANILMALIDIR

FCW 50 P 01 İÇİN KERTME İŞLEMİ



TESPİT PROFİLİ
FIXATION PROFILE

